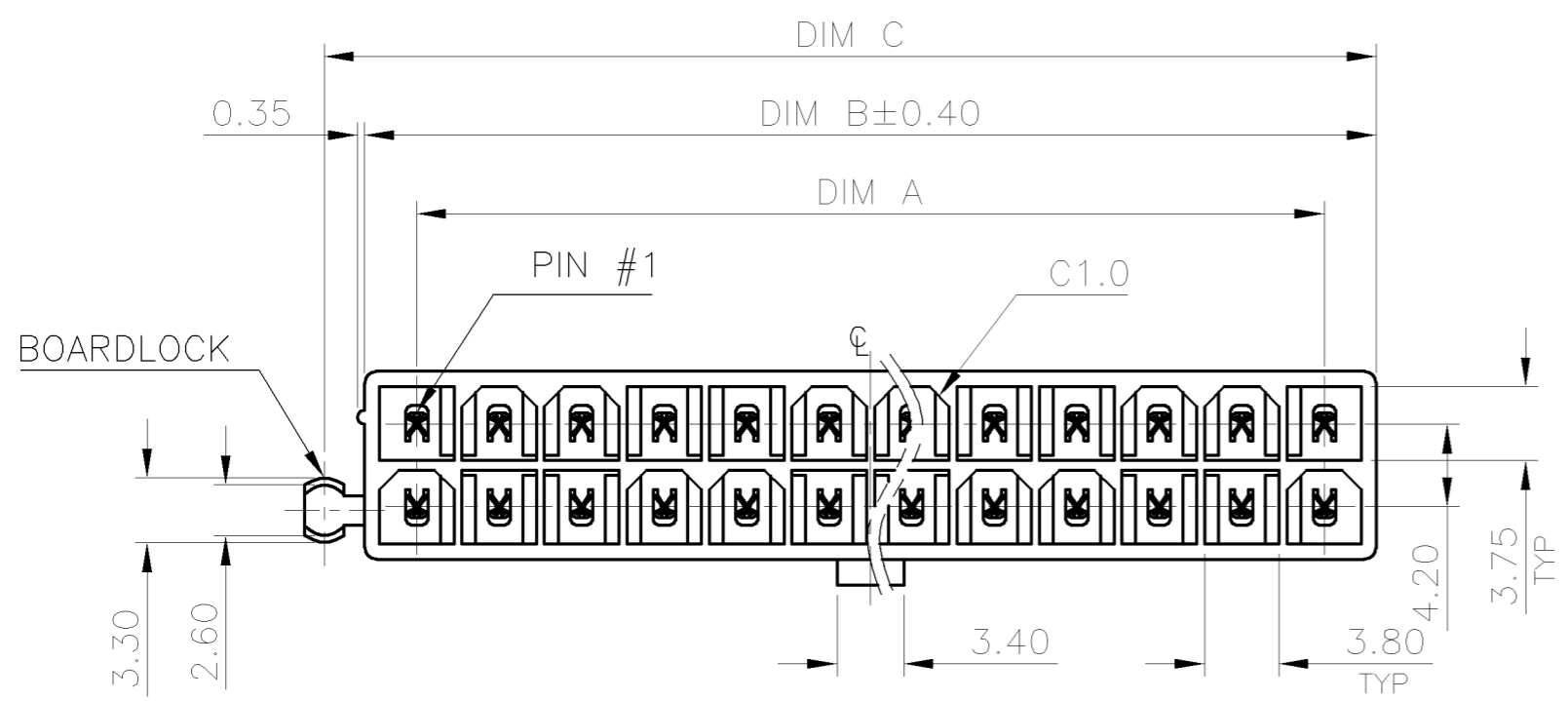
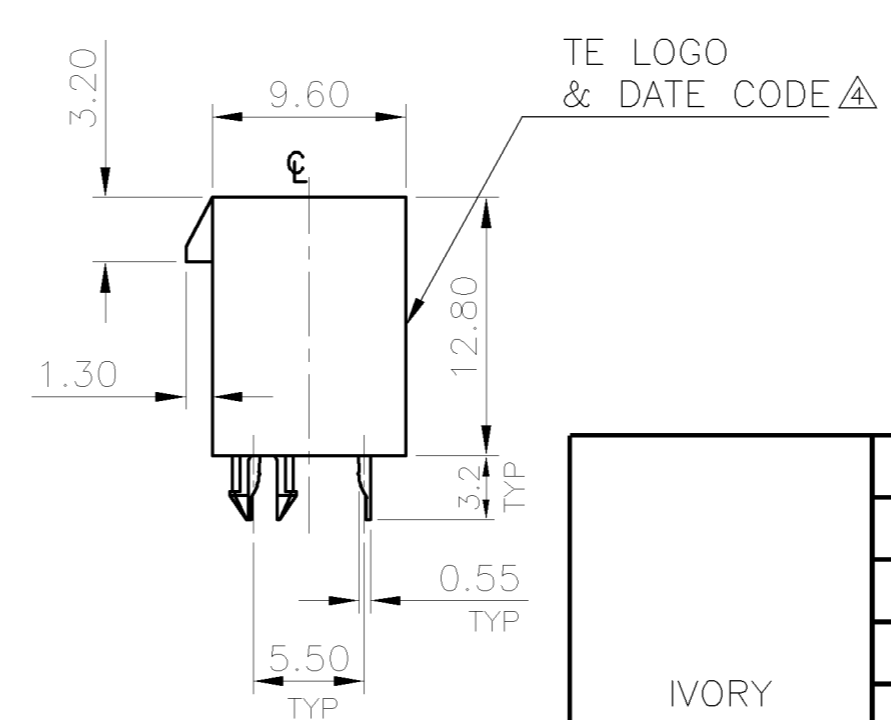
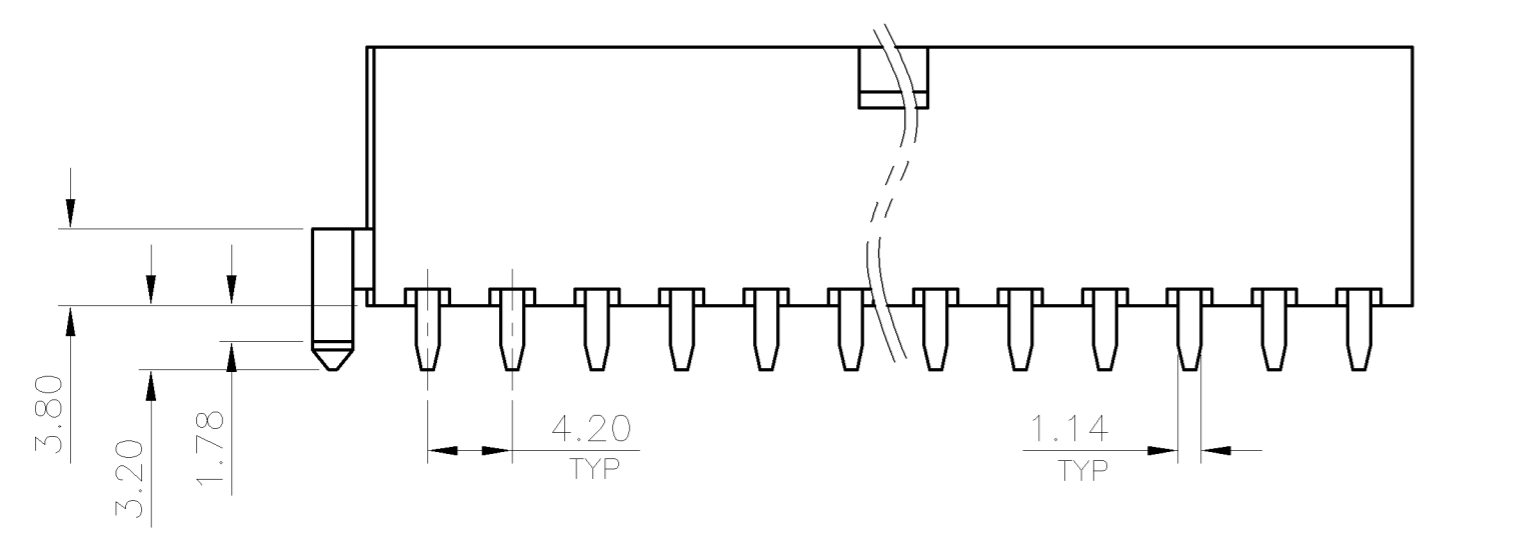


THIS DRAWING IS UNPUBLISHED. RELEASED FOR PUBLICATION
 © COPYRIGHT 2010 BY TYCO ELECTRONICS CORPORATION. ALL RIGHTS RESERVED.

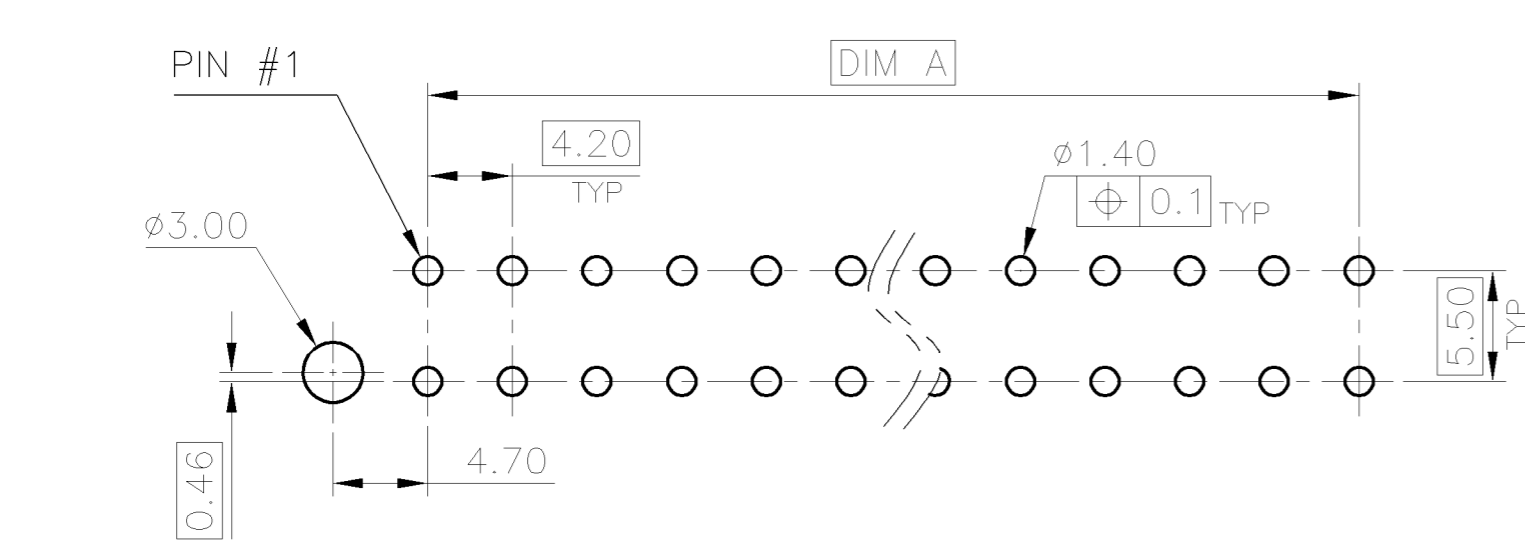
LOC DW	DIST /	REVISIONS			
P	LTR	DESCRIPTION	DATE	DWN	APVD
	D3	REVISED (ECR-11-023740, RELEASED PN 5-1775099-2)	22NOV'11	E.L.	W.K.



- NOTE:
- MATERIAL:
HOUSING: PA6T OR PA66, UL94 V-0, COLOR: (SEE TABLE).
CONTACTS: BRASS.
 - FINISH:
CONTACTS: 3.05um [120u"] MIN. MATTE-TIN.
1.27um [50u"] MIN. NICKEL UNDERPLATED ALL OVER.
 - WAVE SOLDER CAPABLE TO 265°C PER TEST SPEC. 109-202, CONDITION B.
 - NO TE LOGO AND DATE CODE ON THE PRODUCT WITH 4 POS.
 - THE KEY IDENTIFIED WAS SHOWN ON PAGE 5.



ONE BOARDLOCK (LEFT)



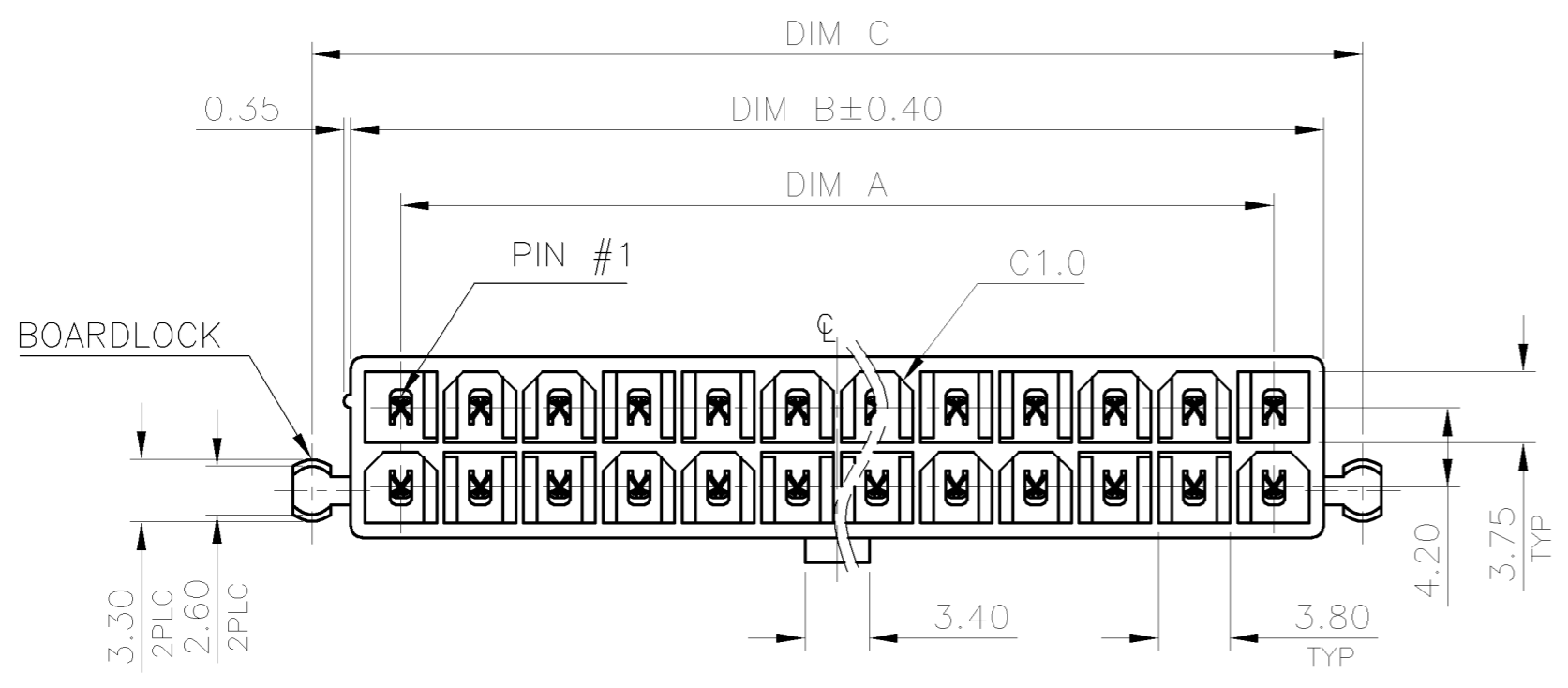
RECOMMENDED PCB LAYOUT
 TOLERANCE: ±0.05 T=1.6mm

IVORY PA6T	5.40	46.2	51.5	53.55	24	1-1775099-3
	1.13	4.2	9.5	11.55	4	1-1775099-2
	4.30	37.8	43.1	45.15	20	1-1775099-1
	3.90	33.6	38.9	40.95	18	1-1775099-0
	3.11	25.2	30.5	32.55	14	1775099-9
	2.71	21.0	26.3	28.35	12	1775099-8
	2.31	16.8	22.1	24.15	10	1775099-7
	1.52	8.4	13.7	15.75	6	1775099-6
IVORY PA66	1.92	12.6	17.9	19.95	8	1775099-5
	5.40	46.2	51.5	53.55	24	1775099-4
TRANSPARENCE PA66	1.13	4.2	9.5	11.55	4	1775099-3
	5.40	46.2	51.5	53.55	24	1775099-2
HSG COLOR & MATERIAL	1.13	4.2	9.5	11.55	4	1775099-1
	WEIGHT	DIM A	DIM B	DIM C	POS.	PART NUMBER

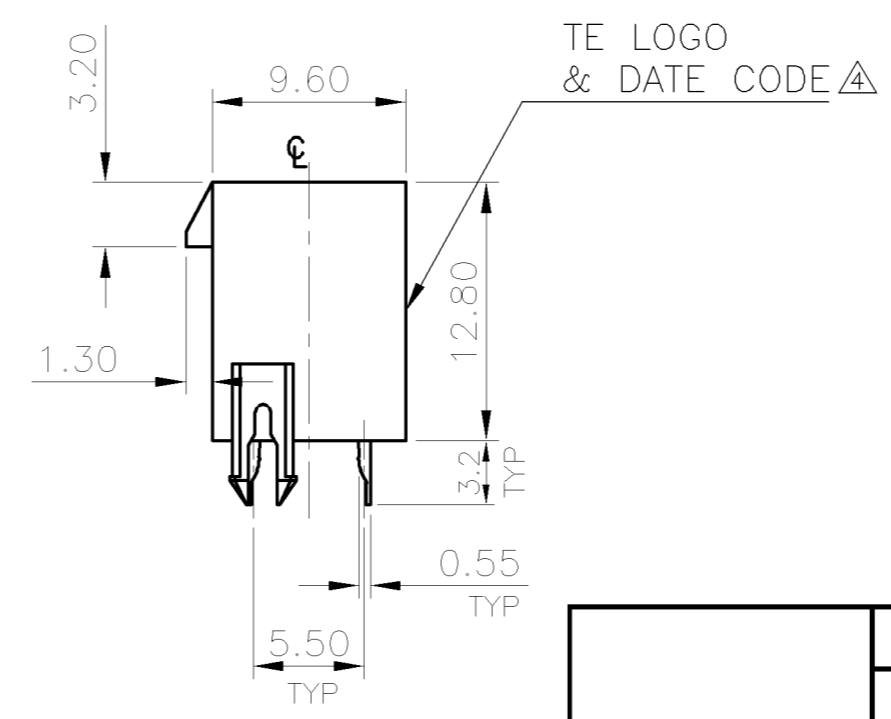
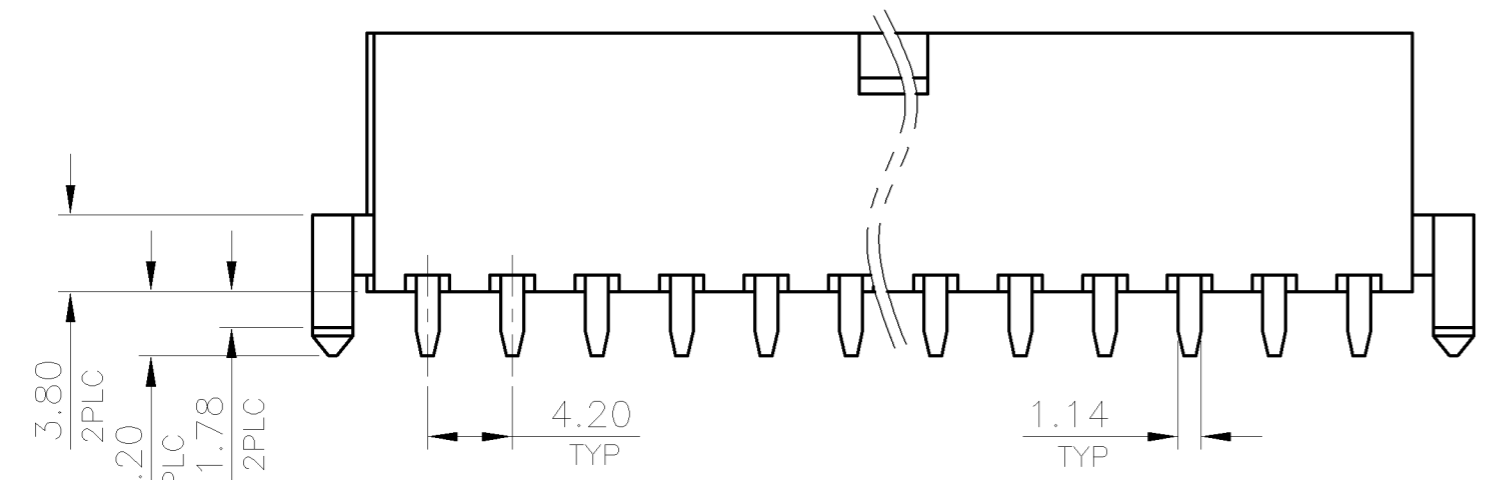
THIS DRAWING IS A CONTROLLED DOCUMENT.		DWN B. HSING 15JUL2009	TE Connectivity ATX POWER CONNECTOR 4.2mm PITCH, VERTICAL, DIP TYPE				
DIMENSIONS: mm		CHK S. CHIEN 15JUL2009				NAME	
TOLERANCES UNLESS OTHERWISE SPECIFIED:		APVD W. KODAMA 15JUL2009				PRODUCT SPEC	
0 PLC ± - 1 PLC ± 0.3 2 PLC ± 0.2 3 PLC ± 0.15 4 PLC ± - ANGLES ± 3°		APPLICATION SPEC					
MATERIAL SEE NOTE		FINISH SEE NOTE		108-57560 WEIGHT SEE TABLE CUSTOMER DRAWING			
		SIZE A3	CAGE CODE 00779	DRAWING NO C-1775099	RESTRICTED TO -		
		SCALE -		SHEET 1 of 6	REV D3		

THIS DRAWING IS UNPUBLISHED. RELEASED FOR PUBLICATION
 © COPYRIGHT 2010 BY TYCO ELECTRONICS CORPORATION. ALL RIGHTS RESERVED.

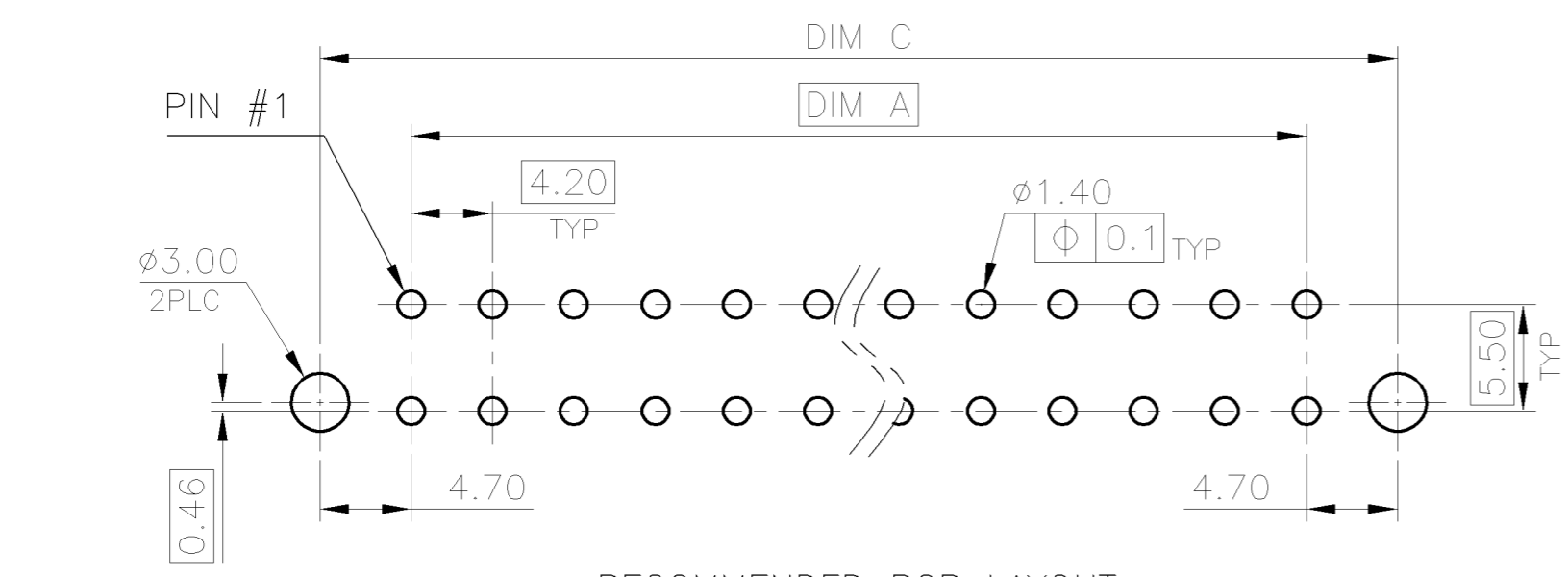
LOC		DIST		REVISIONS				
P	LTR	DESCRIPTION			DATE	DWN	APVD	
		SEE SHEET 1.						



- NOTE:
- MATERIAL:
HOUSING: PA6T, UL94 V-0, COLOR: (SEE TABLE).
CONTACTS: BRASS.
 - FINISH:
CONTACTS: 3.05um [120u"] MIN. MATTE-TIN.
1.27um [50u"] MIN. NICKEL UNDERPLATED ALL OVER.
 - WAVE SOLDER CAPABLE TO 265°C PER TEST SPEC.
109-202, CONDITION B.
 - NO TE LOGO AND DATE CODE ON THE PRODUCT WITH 4 POS.
 - THE KEY IDENTIFIED WAS SHOWN ON PAGE 5.



TWO BOARDLOCK



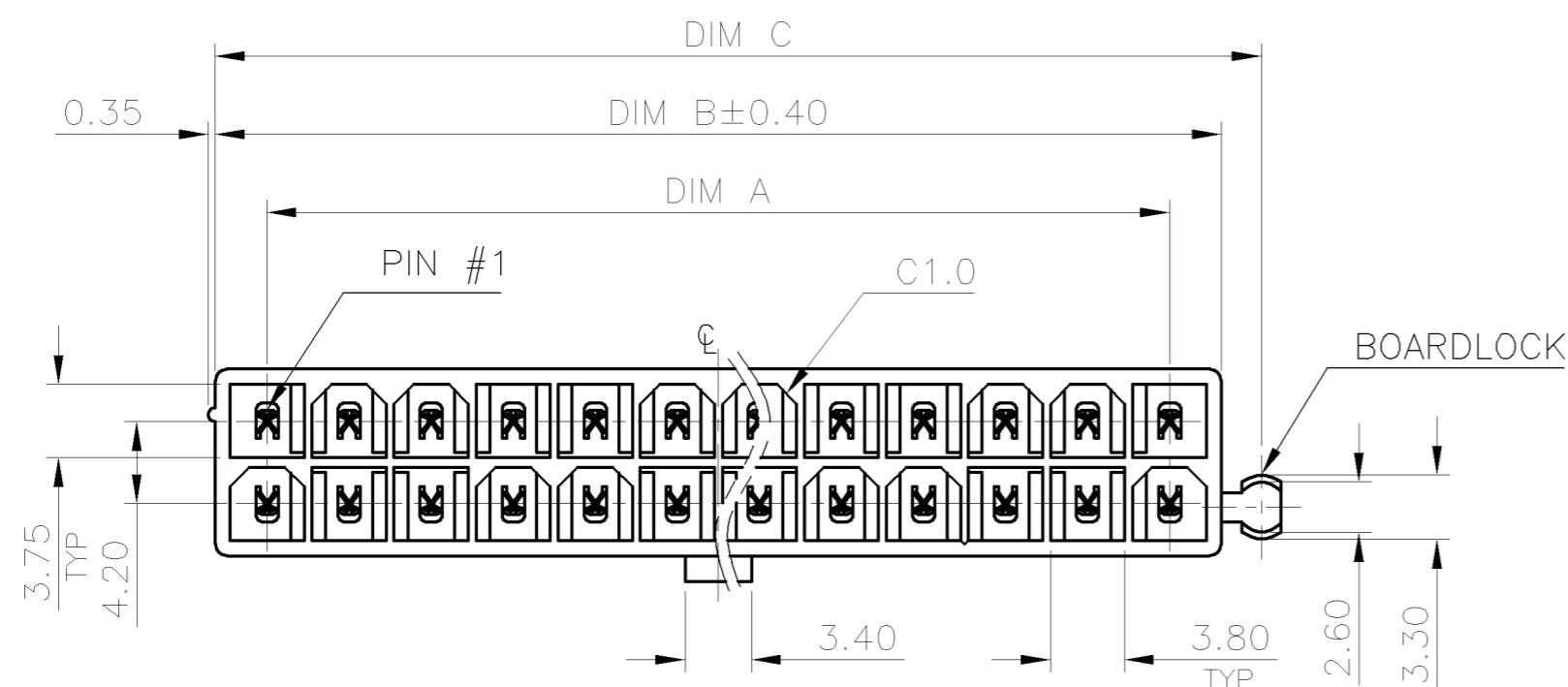
RECOMMENDED PCB LAYOUT
 TOLERANCE: ±0.05 T=1.6mm

HSG COLOR & MATERIAL	WEIGHT	DIM A	DIM B	DIM C	POS.	PART NUMBER
IVORY PA6T	3.54	29.4	34.7	38.8	16	2-1775099-9
	5.43	46.2	51.5	55.6	24	2-1775099-8
	4.33	37.8	43.1	47.2	20	2-1775099-7
	3.93	33.6	38.9	43.0	18	2-1775099-6
	3.14	25.2	30.5	34.6	14	2-1775099-5
	2.74	21.0	26.3	30.4	12	2-1775099-4
	2.34	16.8	22.1	26.2	10	2-1775099-3
	1.95	12.6	17.9	22.0	8	2-1775099-2
	1.55	8.4	13.7	17.8	6	2-1775099-1
	1.16	4.2	9.5	13.6	4	2-1775099-0

THIS DRAWING IS A CONTROLLED DOCUMENT.		DWN		TE Connectivity NAME ATX POWER CONNECTOR 4.2mm PITCH, VERTICAL, DIP TYPE	
DIMENSIONS: mm		CHK			
TOLERANCES UNLESS OTHERWISE SPECIFIED:		APVD			
0 PLC ± - 1 PLC ± 0.3 2 PLC ± 0.2 3 PLC ± 0.15 4 PLC ± - ANGLES ± 3°		PRODUCT SPEC			
MATERIAL		FINISH		APPLICATION SPEC	
		WEIGHT		SIZE CAGE CODE DRAWING NO RESTRICTED TO	
		CUSTOMER DRAWING		A3 00779 C-1775099	
		SCALE		SHEET 2 of 6 REV D3	

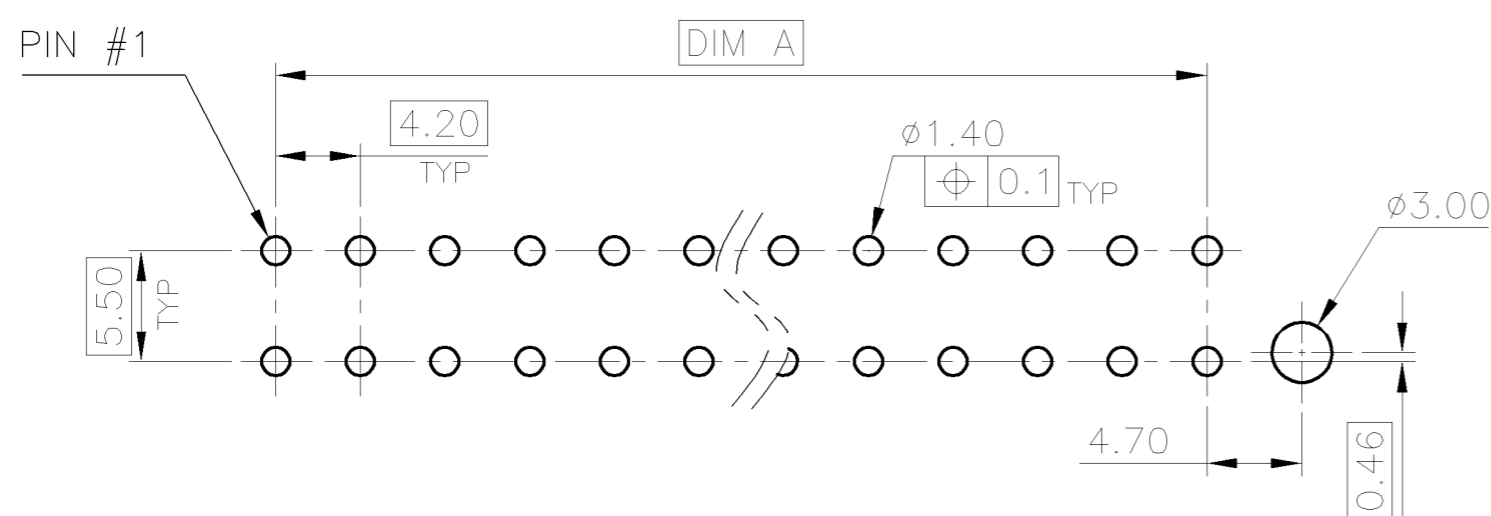
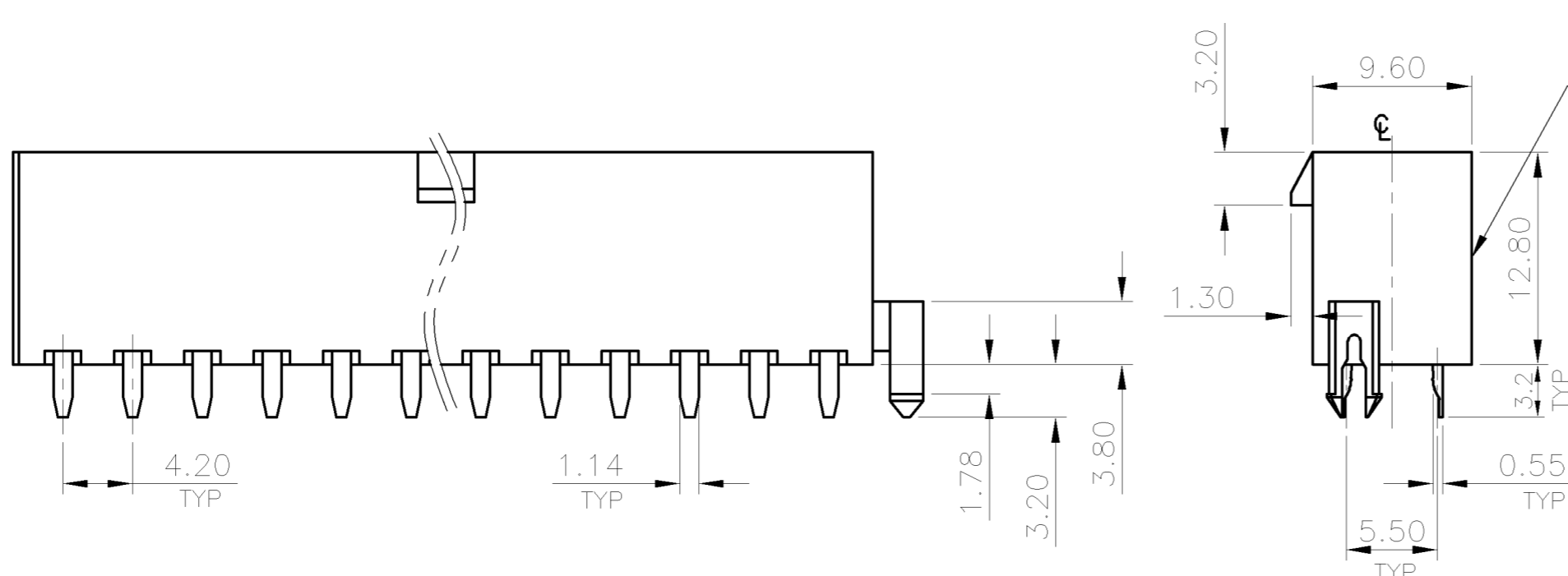
THIS DRAWING IS UNPUBLISHED. RELEASED FOR PUBLICATION
 © COPYRIGHT 2010 BY TYCO ELECTRONICS CORPORATION. ALL RIGHTS RESERVED.

LOC DW	DIST	REVISIONS			
P	LTR	DESCRIPTION	DATE	DWN	APVD
		SEE SHEET 1.			



- NOTE:
- MATERIAL:
HOUSING: PA6T, UL94 V-0, COLOR: (SEE TABLE).
CONTACTS: BRASS.
 - FINISH:
CONTACTS: 3.05um [120u"] MIN. MATTE-TIN.
1.27um [50u"] MIN. NICKEL UNDERPLATED ALL OVER.
 - WAVE SOLDER CAPABLE TO 265°C PER TEST SPEC.
109-202, CONDITION B.
 - NO TE LOGO AND DATE CODE ON THE PRODUCT WITH 4 POS.
 - THE KEY IDENTIFIED WAS SHOWN ON PAGE 5.

ONE BOARDLOCK (RIGHT)



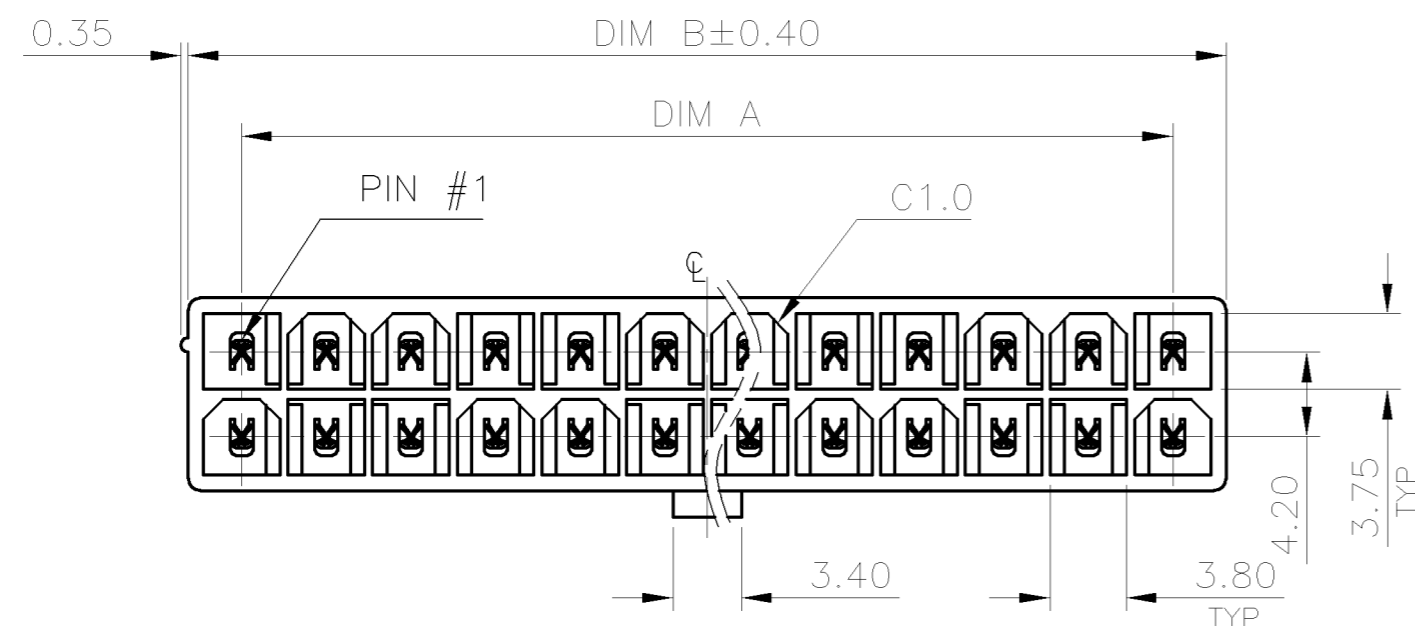
RECOMMENDED PCB LAYOUT
 TOLERANCE: ±0.05 T=1.6mm

IVORY PA6T	5.40	46.2	51.5	53.55	24	3-1775099-8
	4.30	37.8	43.1	45.15	20	3-1775099-7
	3.90	33.6	38.9	40.95	18	3-1775099-6
	3.11	25.2	30.5	32.55	14	3-1775099-5
	2.71	21.0	26.3	28.35	12	3-1775099-4
	2.31	16.8	22.1	24.15	10	3-1775099-3
	1.92	12.6	17.9	19.95	8	3-1775099-2
	1.52	8.4	13.7	15.75	6	3-1775099-1
1.13	4.2	9.5	11.55	4	3-1775099-0	
HSG COLOR & MATERIAL	WEIGHT	DIM A	DIM B	DIM C	POS.	PART NUMBER

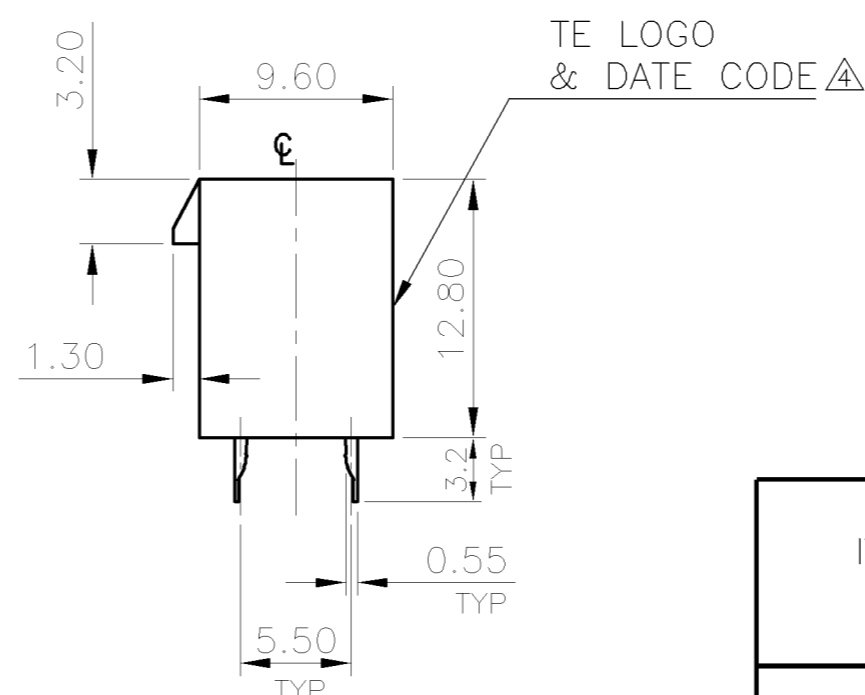
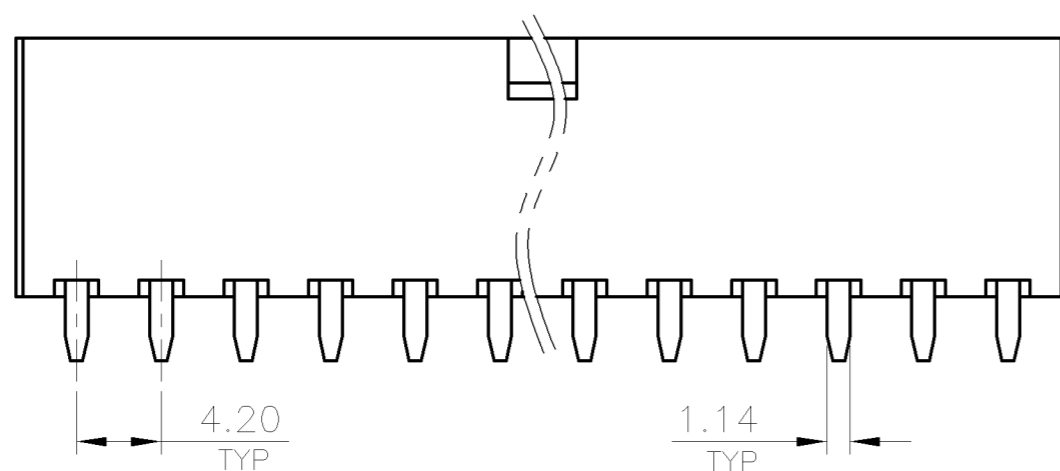
THIS DRAWING IS A CONTROLLED DOCUMENT.		DWN		TE Connectivity NAME ATX POWER CONNECTOR 4.2mm PITCH, VERTICAL, DIP TYPE	
DIMENSIONS: mm		CHK			
TOLERANCES UNLESS OTHERWISE SPECIFIED:		APVD			
0 PLC ± - 1 PLC ± 0.3 2 PLC ± 0.2 3 PLC ± 0.15 4 PLC ± - ANGLES ± 3°		PRODUCT SPEC			
MATERIAL		FINISH		APPLICATION SPEC	
		WEIGHT SEE TABLE		SIZE A3	
		CUSTOMER DRAWING		CAGE CODE 00779	
				DRAWING NO C-1775099	
				RESTRICTED TO	
				SCALE	
				SHEET 3 of 6	
				REV D3	

THIS DRAWING IS UNPUBLISHED. RELEASED FOR PUBLICATION
 © COPYRIGHT 2010 BY TYCO ELECTRONICS CORPORATION. ALL RIGHTS RESERVED.

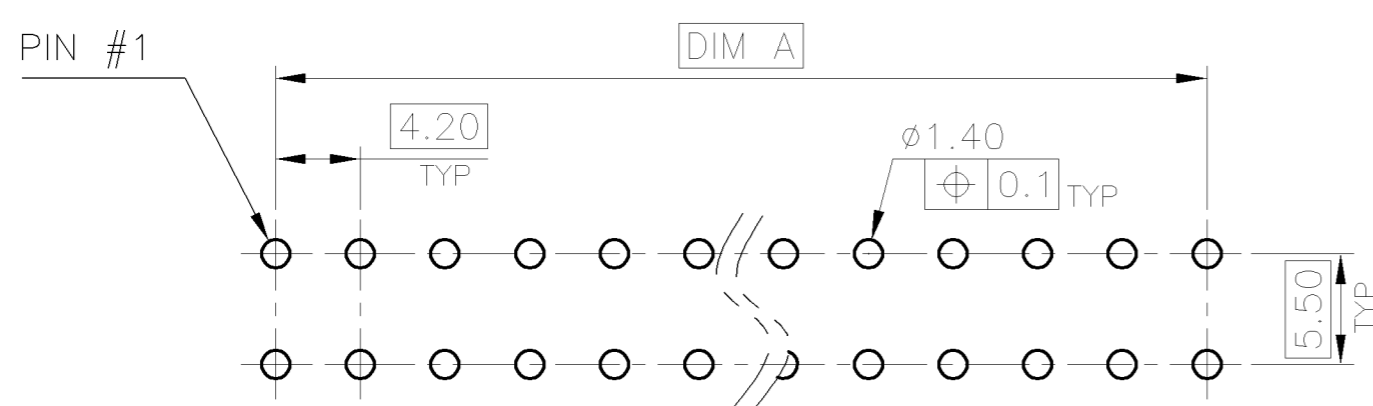
LOC		DIST		REVISIONS				
P	LTR	DESCRIPTION			DATE	DWN	APVD	
		SEE SHEET 1.						



- NOTE:
- MATERIAL:
HOUSING: PA6T OR PA9T, UL94 V-0, COLOR: (SEE TABLE).
CONTACTS: BRASS.
 - FINISH:
CONTACTS: 3.05um [120u"] MIN. MATTE-TIN.
1.27um [50u"] MIN. NICKEL UNDERPLATED ALL OVER.
 - WAVE SOLDER CAPABLE TO 265°C PER TEST SPEC.
109-202, CONDITION B.
 - NO TE LOGO AND DATE CODE ON THE PRODUCT WITH 4 POS.
 - THE KEY IDENTIFIED WAS SHOWN ON PAGE 5.



NO BOARDLOCK



RECOMMENDED PCB LAYOUT
 TOLERANCE: ±0.05 T=1.6mm

HSG COLOR & MATERIAL	WEIGHT	DIM A	DIM B	POS.	PART NUMBER
IVORY PA9T	2.28	16.8	22.1	10	5-1775099-3
	1.89	12.6	17.9	8	5-1775099-2
	1.49	8.4	13.7	6	5-1775099-1
IVORY PA6T	5.37	46.2	51.5	24	4-1775099-8
	4.27	37.8	43.1	20	4-1775099-7
	3.87	33.6	38.9	18	4-1775099-6
	3.08	25.2	30.5	14	4-1775099-5
	2.68	21.0	26.3	12	4-1775099-4
	2.28	16.8	22.1	10	4-1775099-3
	1.89	12.6	17.9	8	4-1775099-2
	1.49	8.4	13.7	6	4-1775099-1
	1.10	4.2	9.5	4	4-1775099-0

THIS DRAWING IS A CONTROLLED DOCUMENT.		DWN		TE Connectivity NAME ATX POWER CONNECTOR 4.2mm PITCH, VERTICAL, DIP TYPE	
DIMENSIONS: mm		CHK			
TOLERANCES UNLESS OTHERWISE SPECIFIED:		APVD			
0 PLC ± - 1 PLC ± 0.3 2 PLC ± 0.2 3 PLC ± 0.15 4 PLC ± - ANGLES ± 3°		PRODUCT SPEC			
MATERIAL		FINISH		APPLICATION SPEC	
		WEIGHT SEE TABLE		SIZE CAGE CODE DRAWING NO RESTRICTED TO	
		CUSTOMER DRAWING		A3 00779 C-1775099	
		SCALE		SHEET 4 OF 6 REV D3	

4

3

2

1

THIS DRAWING IS UNPUBLISHED.

RELEASED FOR PUBLICATION

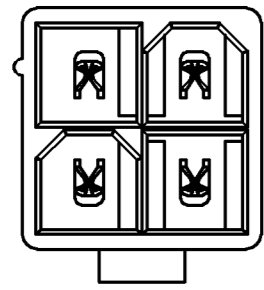
© COPYRIGHT 2010 BY TYCO ELECTRONICS CORPORATION. ALL RIGHTS RESERVED.

LOC
DW

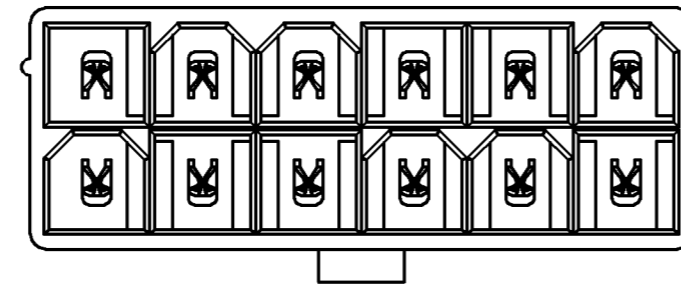
DIST

REVISIONS

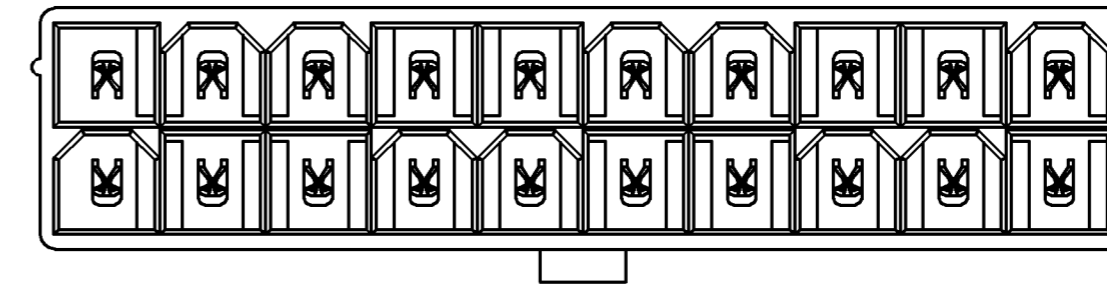
P	LTR	DESCRIPTION	DATE	DWN	APVD
		SEE SHEET 1.			



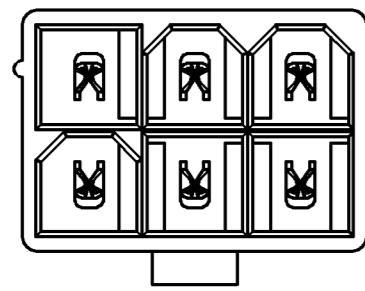
4 POS



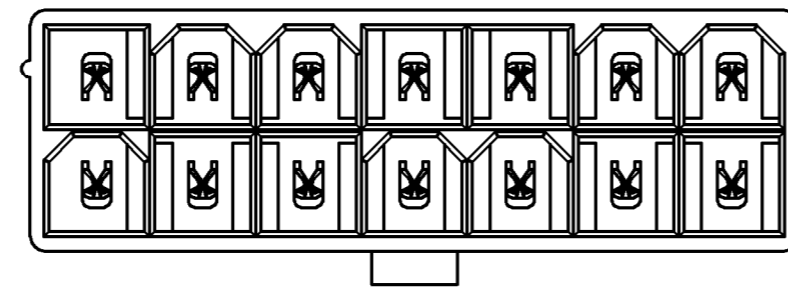
12 POS



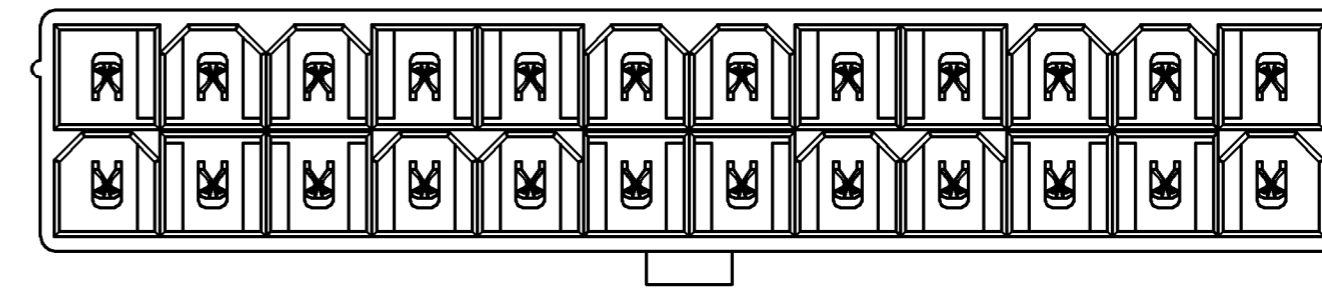
20 POS



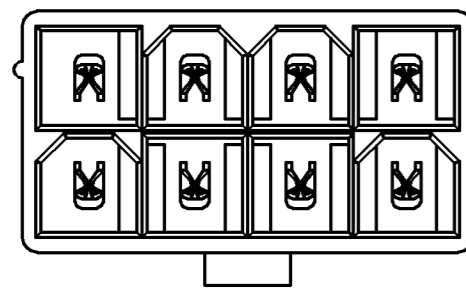
6 POS



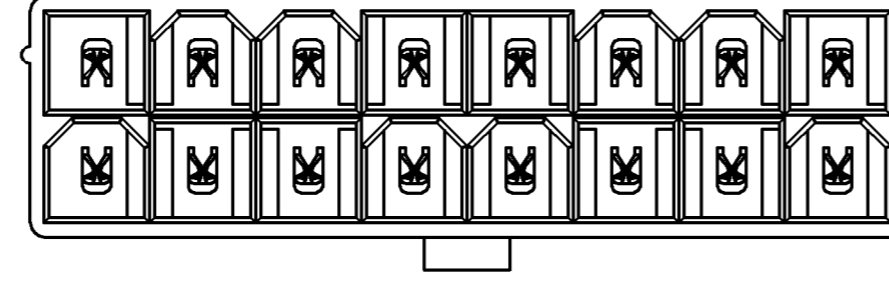
14 POS



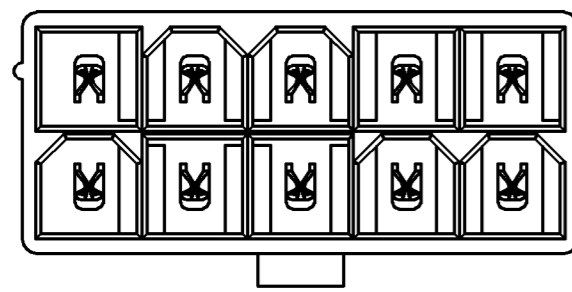
24 POS



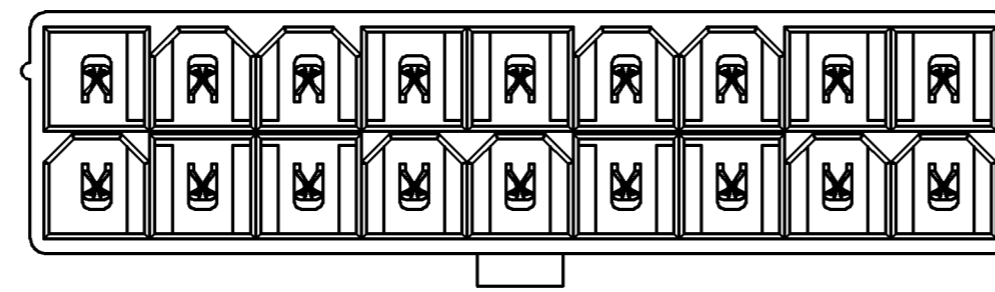
8 POS



16 POS



10 POS



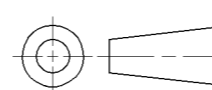
18 POS

KEY POSITION IDENTIFIED
(TOP VIEW)

THIS DRAWING IS A CONTROLLED DOCUMENT.

DIMENSIONS:

mm



TOLERANCES UNLESS OTHERWISE SPECIFIED:

- 0 PLC ± -
- 1 PLC ± 0.3
- 2 PLC ± 0.2
- 3 PLC ± 0.15
- 4 PLC ± -
- ANGLES ± 3°

MATERIAL

FINISH

DWN	-
CHK	-
APVD	-
PRODUCT SPEC	-
APPLICATION SPEC	-
WEIGHT	-
CUSTOMER DRAWING	-

STE TE Connectivity

NAME

ATX POWER CONNECTOR
4.2mm PITCH, VERTICAL, DIP TYPE

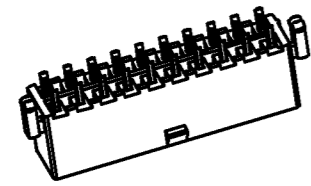
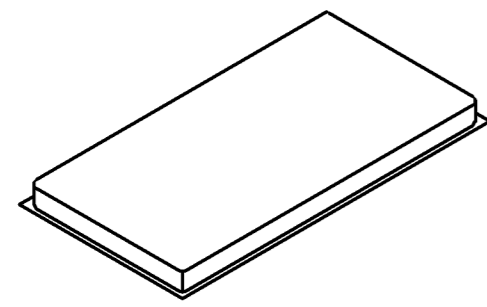
SIZE	CAGE CODE	DRAWING NO	RESTRICTED TO
A3	00779	C-1775099	-

SCALE	SHEET	REV
-	5 of 6	D3

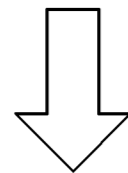
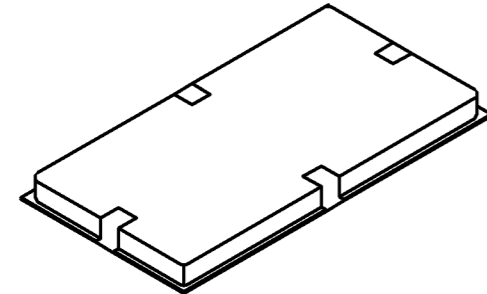
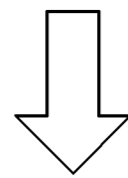
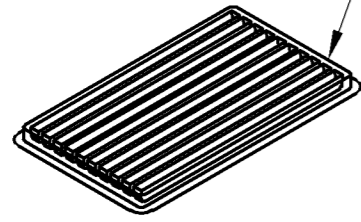
THIS DRAWING IS UNPUBLISHED. RELEASED FOR PUBLICATION
 © COPYRIGHT 2010 BY TYCO ELECTRONICS CORPORATION. ALL RIGHTS RESERVED.

LOC DW
 DIST

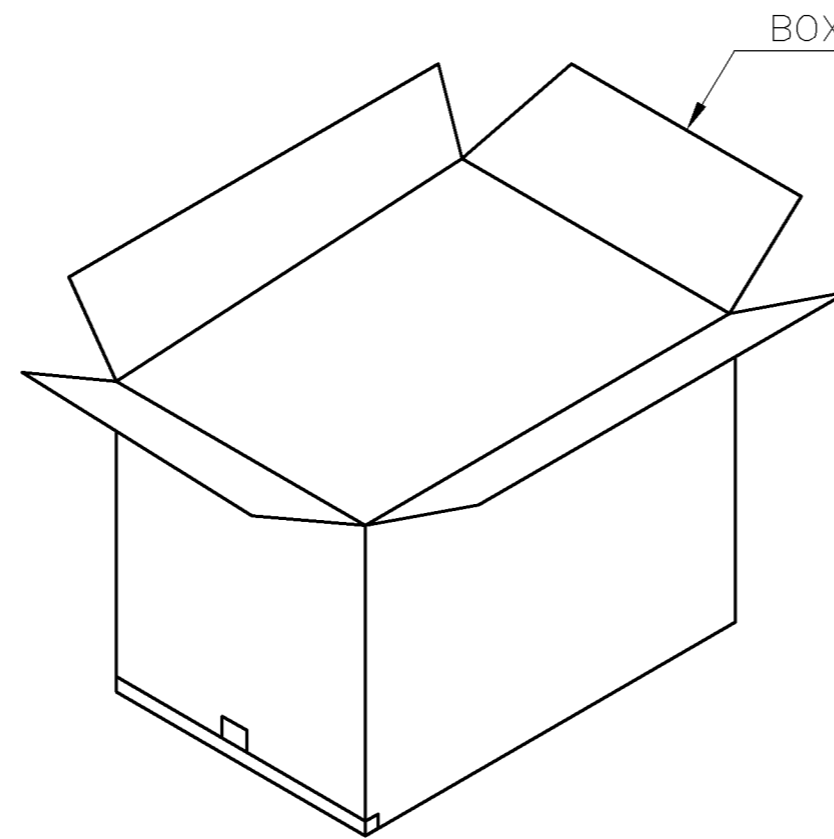
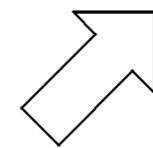
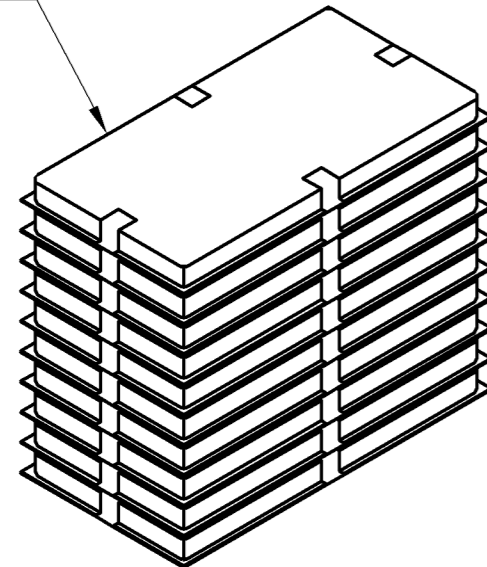
REVISIONS					
P	LTR	DESCRIPTION	DATE	DWN	APVD
		SEE SHEET 1.			



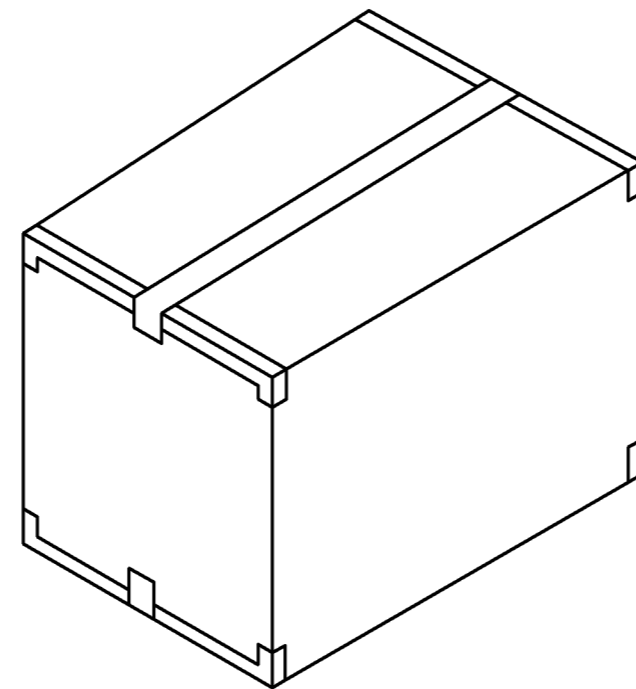
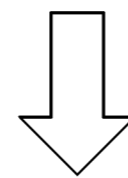
QUANTITY SEE TABLE



10 TRAY



BOX



NOTES:

- 1. TRAY : PVC, SIZE: 330mm(L)X 265mm(W)X 22mm(H).
- 2. BOX : CORRUGATED, SIZE: 350mm(L)X 279mm(W)X 195mm(H).
- 3. QUANTITY: SEE TABLE.

SIZE	CAGE CODE	DRAWING NO	RESTRICTED TO			
5.94	4.34	80	10	800	24	2
5.93	4.33	100	10	1000	20	
5.53	3.93	100	10	1000	18	
5.85	4.25	120	10	1200	16	
6.00	4.40	140	10	1400	14	
5.98	4.38	160	10	1600	12	
5.81	4.21	180	10	1800	10	
5.89	4.29	220	10	2200	8	
5.94	4.34	280	10	2800	6	
5.78	4.18	360	10	3600	4	
5.92	4.32	80	10	800	24	1
5.90	4.30	100	10	1000	20	
6.28	4.68	120	10	1200	18	
5.95	4.35	140	10	1400	14	
5.94	4.34	160	10	1600	12	
6.22	4.62	200	10	2000	10	
6.21	4.61	240	10	2400	8	
6.16	4.56	300	10	3000	6	
6.35	4.75	420	10	4200	4	
5.90	4.30	80	10	800	24	
5.87	4.27	100	10	1000	20	
6.24	4.64	120	10	1200	18	
5.91	4.31	140	10	1400	14	
6.42	4.82	180	10	1800	12	
6.16	4.56	200	10	2000	10	
6.51	4.91	260	10	2600	8	
6.67	5.07	340	10	3400	6	
6.88	5.28	480	10	4800	4	
GROSS WEIGHT	NET WEIGHT	PCS /TRAY	TRAYS /BOX	PCS /BOX	POS.	NO. OF BOARDLOCK

THIS DRAWING IS A CONTROLLED DOCUMENT.

DIMENSIONS:	TOLERANCES UNLESS OTHERWISE SPECIFIED:
mm	
0 PLC	± -
1 PLC	± 0.3
2 PLC	± 0.2
3 PLC	± 0.15
4 PLC	± -
ANGLES	± 3°

MATERIAL FINISH

DWN	-
CHK	-
APVD	-
PRODUCT SPEC	-
APPLICATION SPEC	-
WEIGHT	-
CUSTOMER DRAWING	-



ATX POWER CONNECTOR
 4.2mm PITCH, VERTICAL, DIP TYPE

SIZE	CAGE CODE	DRAWING NO	RESTRICTED TO
A3	00779	C=1775099	-

SCALE SHEET 6 OF 6 REV D3