

1897724-1 ✓ ACTIVE

Multilock Connector System

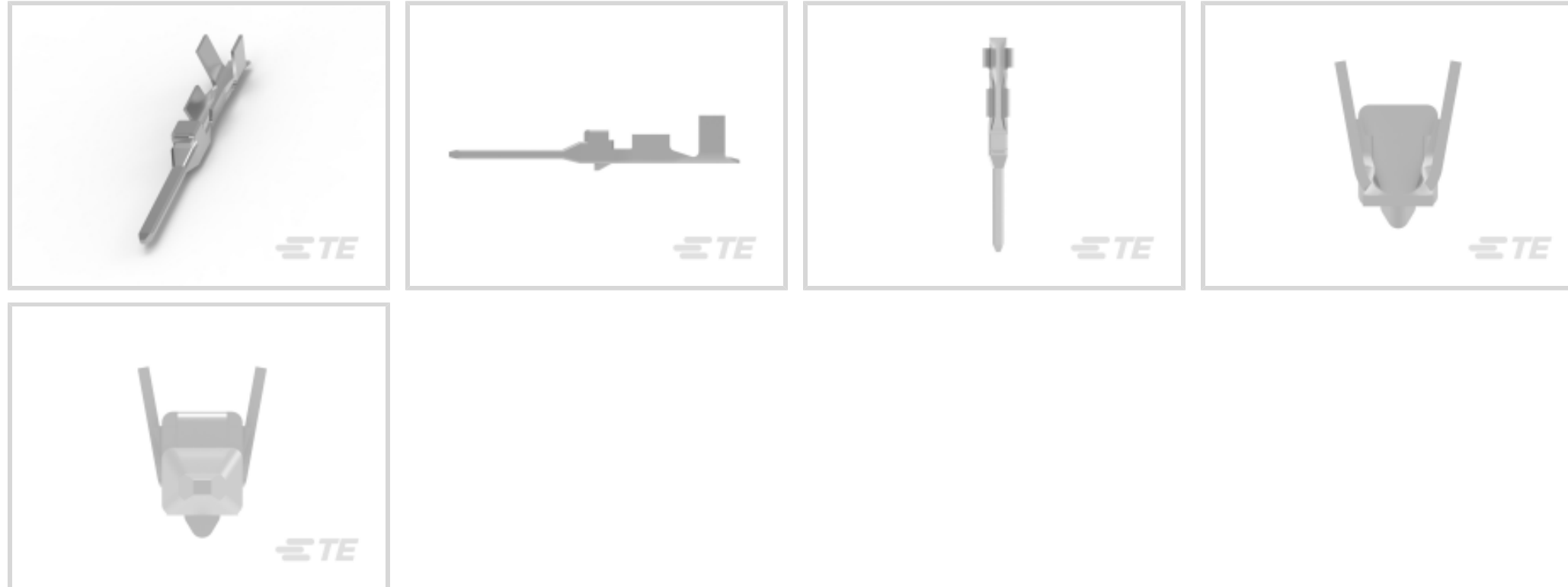
TE Internal #: 1897724-1

Automotive Terminals, Tab, Mating Tab Width 1 mm [.039 in], Tab Thickness .025 in [.64 mm], 22 – 20 AWG Wire Size, Multilock Connector System

[View on TE.com >](#)



Terminals & Splices > Automotive Terminals > MULTILOCK, RECEPTACLE AND TAB



Terminal Type: **Tab**

Mating Tab Width: **1 mm [.039 in]**

Mating Tab Thickness: **.64 mm [.025 in]**

Terminal Transmits: **0 – 24 A (Low Power)**

Wire Size: **22 – 20 AWG**

[All MULTILOCK, RECEPTACLE AND TAB \(143\)](#)

Features

Product Type Features

Sealable	No
Primary Locking Feature	Clean Body

Contact Features

Contact Size	1mm
Contact Fabrication	Stamped & Formed
Crimp Type	F-Crimp
Terminal Type	Tab
Mating Tab Width	1 mm [.039 in]
Mating Tab Thickness	.64 mm [.025 in]
Interface Plating	Tin (Sn)

Termination Features

Termination Method to Wire & Cable	Crimp
------------------------------------	-------



Product Terminates To

Wire

Dimensions

Wire Size

.3 – .5 mm²

Wire Size Search

20 AWG, 21 AWG, 22 AWG

Wire Insulation Diameter

1.4 – 1.7 mm [.037 – .067 in]

Usage Conditions

Insulation Option

Uninsulated

Operating Temperature (Max)

70 °C, 75 °C, 80 °C [158 °F][167 °F][176 °F]

Operating Temperature Range

-40 – 80 °C [-40 – 176 °F]

Operation/Application

Compatible With Wire Base Material

Copper

Industry Standards

Agency/Standard

OEM

Packaging Features

Packaging Method

Reel

Packaging Quantity

5000

Other

Terminal Transmits

0 – 24 A (Low Power)

Product Compliance

[For compliance documentation, visit the product page on TE.com>](#)

EU RoHS Directive 2011/65/EU

Compliant

EU ELV Directive 2000/53/EC

Compliant

China RoHS 2 Directive MIIT Order No 32, 2016

No Restricted Materials Above Threshold

EU REACH Regulation (EC) No. 1907/2006

Current ECHA Candidate List: JUNE 2022 (224)
 Candidate List Declared Against: JUNE 2022 (224)
 Does not contain REACH SVHC

Halogen Content

Low Halogen - Br, Cl, F, I < 900 ppm per homogenous material. Also BFR/CFR/PVC Free

Solder Process Capability

Not applicable for solder process capability

Product Compliance Disclaimer

This information is provided based on reasonable inquiry of our suppliers and represents our current actual knowledge based on the information they provided. This information is subject to change. The part numbers that TE has identified as EU RoHS compliant have a maximum concentration of 0.1% by weight in homogenous materials for lead, hexavalent chromium, mercury, PBB, PBDE, DBP, BBP, DEHP, DIBP, and 0.01% for cadmium, or qualify for an exemption to these limits as defined in the Annexes of Directive 2011/65/EU (RoHS2). Finished electrical and electronic equipment products will be CE marked as required by Directive 2011/65/EU. Components may not be CE marked. Additionally, the part numbers that TE has identified as EU ELV compliant have a maximum concentration of 0.1% by weight in homogenous materials for lead, hexavalent chromium, and mercury, and 0.01% for cadmium, or qualify for an exemption to these limits as defined in the Annexes of Directive 2000/53/EC (ELV). Regarding the REACH Regulation, the information TE provides on SVHC in articles for this part number is based on the latest European Chemicals Agency (ECHA) 'Guidance on requirements for substances in articles' posted at this URL: <https://echa.europa.eu/guidance-documents/guidance-on-reach>

Compatible Parts



TE Part # CAT-M9194-CH8172
MULTILOCK, CONNECTOR HOUSING



TE Part # 2-2836596-1
OCEAN_2.0_Applicator-S-062F070F



TE Part # 2-2836596-2
OCEAN_2.0_Applicator-S-062F070F



TE Part # 2836596-1
OCEAN_2.0_Applicator-S-062F070F



TE Part # 2836596-2
OCEAN_2.0_Applicator-S-062F070F



TE Part # 7-2836596-1
OCEAN_2.0_Applicator-S-062F070F




TE Part # 7-2836596-2
OCEAN_2.0_Applicator-S-062F070F



TE Part # 7-2836596-7
OCEAN_2.0_SPARE_PART_KIT-062F070F

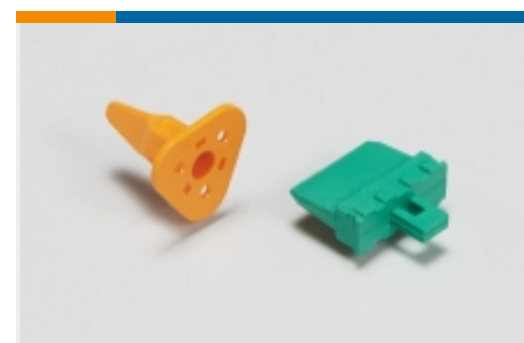
Also in the Series | Multilock Connector System




Automotive Connector Caps & Covers
(16)



Automotive Connector EMC Shielding
(1)



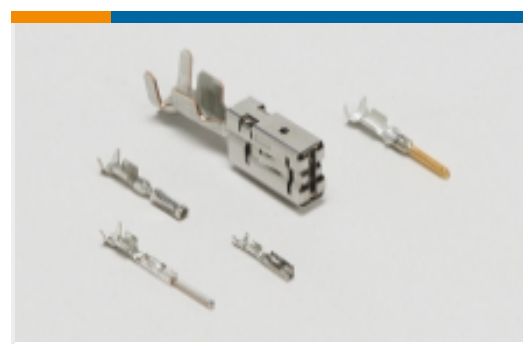
Automotive Connector Locks & Position Assurance
(2)



Automotive Housings(575)



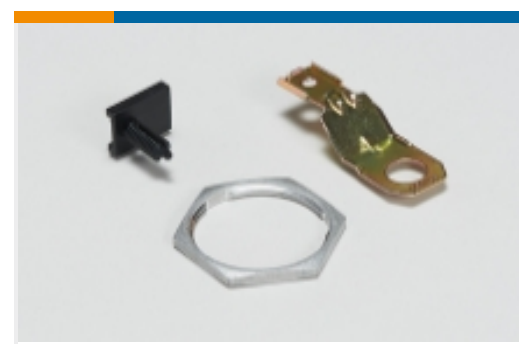
Automotive Seals & Cavity Plugs(2)



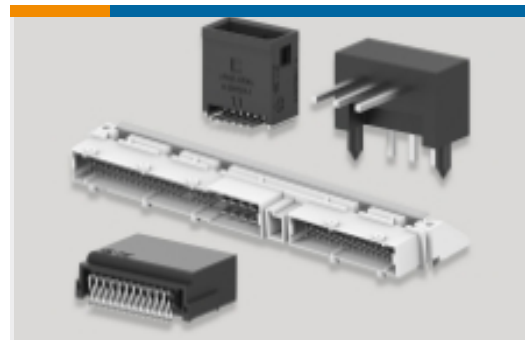
Automotive Terminals(141)



Insertion & Extraction Tools(6)

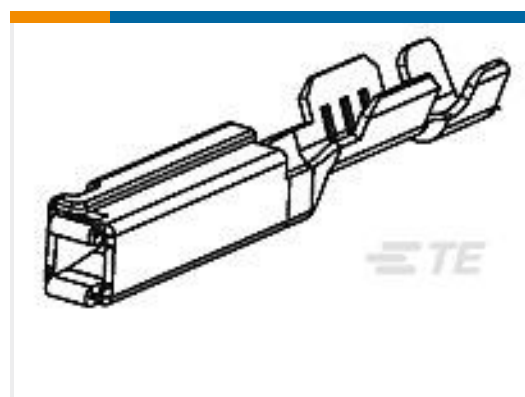


Other Automotive Connector Accessories(9)

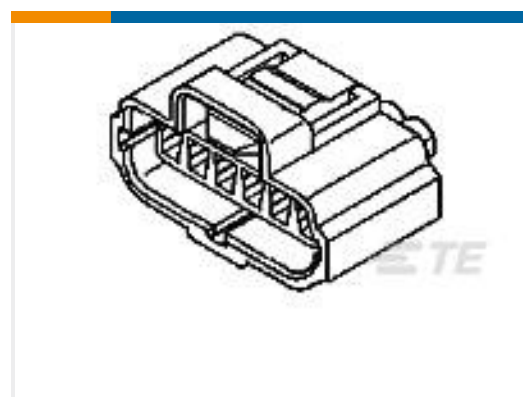


PCB Headers & Receptacles(129)

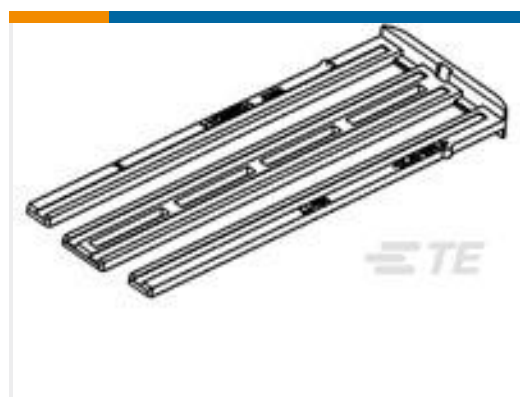
Customers Also Bought



TE Part #1393365-2
V23540X7000Y 22=GET-FEM TERM A



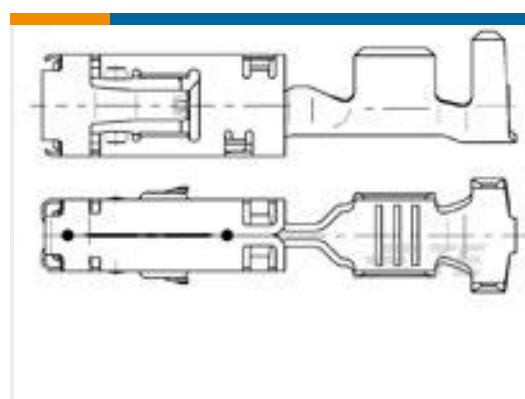
TE Part #184060-1
6 POS./6 CIRC PLUG ASSY, KEY A



TE Part #1-1355134-1
RETAINER 94P



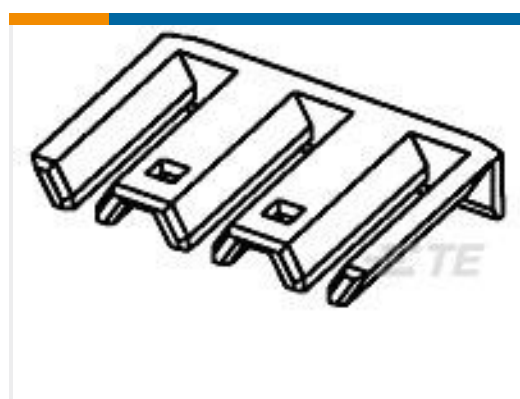
TE Part #2-927770-1
TIMER, RECEPTACLE AND TAB



TE Part #967542-2
SENS FLA-KONT 2,8



TE Part #5-962885-5
MQS0,63 Au rec LL EDS 0,2-0,35



TE Part #1-1355135-1
RETAINER 94P



TE Part #880634-1
FF 110 REC 0.5-1.0 MM2 0.25X12.3 BR

Documents

Product Drawings
040 TAB CONTACT

English

CAD Files

3D PDF

3D

Customer View Model

[ENG_CVM_CVM_1897724-1_A.2d_dxf.zip](#)



English

Customer View Model

[ENG_CVM_CVM_1897724-1_A.3d_igs.zip](#)

English

Customer View Model

[ENG_CVM_CVM_1897724-1_A.3d_stp.zip](#)

English

By downloading the CAD file I accept and agree to the [Terms and Conditions](#) of use.

Datasheets & Catalog Pages

[MULTILOCK Connector System](#)

English

Product Specifications

[Application Specification](#)

English