

175057-1 ✓ ACTIVE

[Positive Lock](#) | [Positive Lock 250](#)

TE Internal #: 175057-1

Quick Disconnects, Receptacle, 18 – 12 AWG Wire Size, .82 – 3.31 mm² Wire Size, Mating Tab Width .25 in [6.35 mm], Flag, Brass, Positive Lock 250

[View on TE.com >](#)



Terminals & Splices > Quick Disconnects



Quick Disconnect Terminal Type: **Receptacle**

Wire Size: **.82 – 3.31 mm²**

Mating Tab Width: **6.35 mm [.25 in]**

Mating Tab Thickness: **.81 mm [.032 in]**

Features

Product Type Features

Terminates To	Wire & Cable
Wire Stop	No
Wire/Cable Type	Regular Wire
Insertion Force	Low
Sealable	No

Configuration Features

Connection Capacity	Single
---------------------	--------

Electrical Characteristics

Voltage (Max)	250 V
---------------	-------

Contact Features

Quick Disconnect Terminal Type	Receptacle
Mating Tab Width	6.35 mm[.25 in]
Mating Tab Thickness	.81 mm[.032 in]
Terminal Orientation	Flag



Contact Base Material	Brass
Terminal Plating Material	Pre-Tin
Crimp Type	F-Crimp
Barrel Type	Open

Mechanical Attachment

Wire Insulation Support	With
-------------------------	------

Dimensions

Accepts Wire Insulation Diameter Range	2.8 – 4.1 mm [.11 – .161 in]
Overall Length	19.3 mm [.759 in]
Receptacle Terminal Stock Thickness	.41 mm [.016 in]
Wire Size	.82 – 3.31 mm ²

Usage Conditions

Insulation Option	Fully Insulated
Operating Temperature Range	-40 – 110 °C [-40 – 230 °F]

Packaging Features

Packaging Quantity	3000
Packaging Method	Strip/Reel

Product Compliance

[For compliance documentation, visit the product page on TE.com>](#)

EU RoHS Directive 2011/65/EU	Compliant
EU ELV Directive 2000/53/EC	Compliant
China RoHS 2 Directive MIIT Order No 32, 2016	No Restricted Materials Above Threshold
EU REACH Regulation (EC) No. 1907/2006	Current ECHA Candidate List: JUNE 2022 (224) Candidate List Declared Against: JAN 2022 (223) SVHC > Threshold: Not Yet Reviewed
Halogen Content	Low Halogen - Br, Cl, F, I < 900 ppm per homogenous material. Also BFR/CFR/PVC Free
Solder Process Capability	Not applicable for solder process capability

Product Compliance Disclaimer

This information is provided based on reasonable inquiry of our suppliers and represents our current actual knowledge based on the information they provided. This information is subject to change. The part numbers that TE has identified as EU RoHS compliant have a maximum concentration of 0.1% by weight in homogenous materials for lead, hexavalent chromium, mercury, PBB, PBDE, DBP, BBP, DEHP, DIBP, and 0.01% for cadmium, or qualify for an exemption to these limits as defined in the Annexes of Directive 2011/65/EU (RoHS2). Finished electrical and electronic equipment products will be CE marked as required by Directive 2011/65/EU. Components may not be CE marked. Additionally, the part numbers that TE has identified as EU ELV compliant have a maximum concentration of 0.1% by weight in homogenous materials for lead, hexavalent chromium, and mercury, and 0.01% for cadmium, or qualify for an exemption to these limits as defined in the Annexes of Directive 2000/53/EC (ELV). Regarding the REACH Regulation, the information TE provides on SVHC in articles for this part number is based on the latest European Chemicals Agency (ECHA) 'Guidance on requirements for substances in articles' posted at this URL: <https://echa.europa.eu/guidance-documents/guidance-on-reach>

Compatible Parts

 <p>TE Part # 1-176497-1 250 HSG. PL EX FLAG REC. NAT</p>	 <p>TE Part # 176497-1 POSITIVE LOCK .250 Hsg (6.3 MM) V2</p>	 <p>TE Part # 2232342-1 187 PL EX FLAG REC. 22-16AWG PTBR</p>	 <p>TE Part # 2232343-1 250 PL EX FLAG REC. 18-12AWG PTBR</p>
 <p>TE Part # 1717268-2 PL EX 250 INSULATED FLAG REC PVC V-0</p>	 <p>TE Part # 1-176497-9 PL EX SLEEVE 250 FLAG BLACK 6/6 NYLON</p>	 <p>TE Part # 1-176497-7 PL EX SLEEVE 250 FLAG RED 6/6 NYLON</p>	 <p>TE Part # 1717268-1 PL EX 250 INSULATED FLAG REC PVC V-0</p>
 <p>TE Part # 1-176497-4 250 POSITIVE LOCK REC EX SLEEVE</p>	 <p>TE Part # 1-176497-6 PL EX 250 REC HSG 1P NYLON BLUE</p>	 <p>TE Part # 1743221-1 250 PL EX FLAG REC. 18-12AWG PTBR</p>	 <p>TE Part # 1743643-1 Pos Lock 250 Rec Flag Hsg 2P Nat</p>
 <p>TE Part # 1743643-6 Pos Lock 250 Rec Flag Hsg 2P Blu</p>	 <p>TE Part # 1743643-9 Pos Lock 250 Rec Flag Hsg 2P Blk</p>	 <p>TE Part # 2232343-2 250 PL EX FLAG REC. 18-12AWG PTBR FLAT</p>	 <p>TE Part # 2376579-2 250 FASTON PCB TAB TPBR</p>



TE Part # 2376582-2
250 FASTON PCB TAB TPBR



TE Part # 2376591-2
250 FASTON PCB TAB TPBR

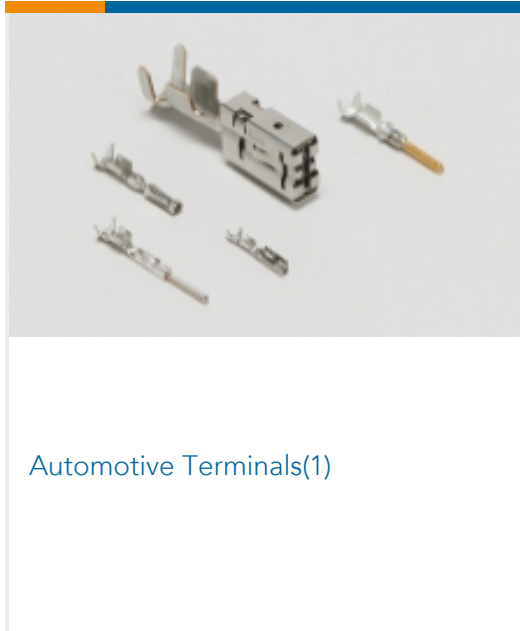


TE Part # 2376595-2
250 FASTON PCB TAB TPBR

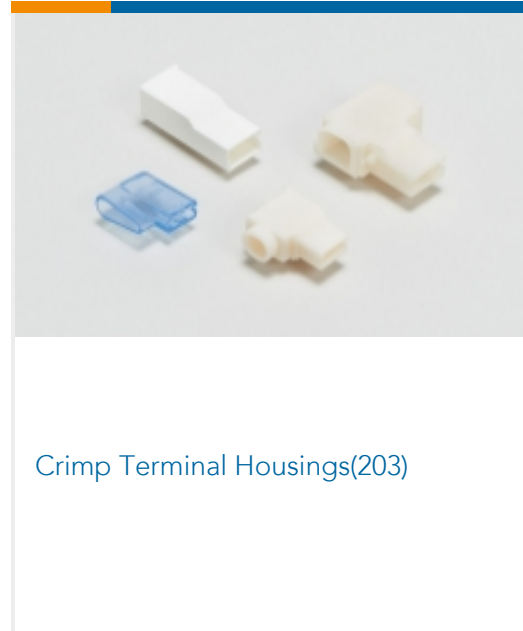


TE Part # 567408-2
HDMHB 9EAPR160T180O G

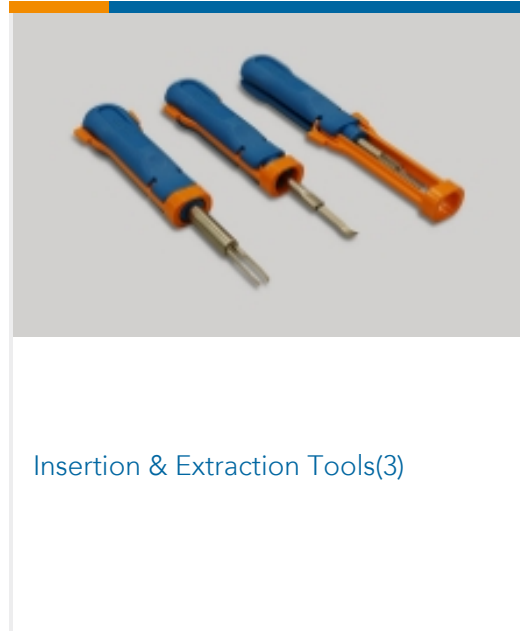
Also in the Series | Positive Lock 250



Automotive Terminals(1)



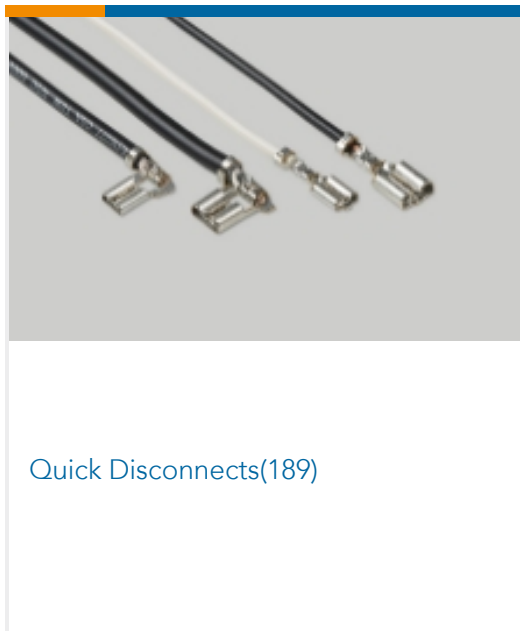
Crimp Terminal Housings(203)



Insertion & Extraction Tools(3)



Insulation Boots & Sleeves(4)



Quick Disconnects(189)

Customers Also Bought



TE Part #42563-2
250 FASTON FLAG REC 12-10 AWG TPBR



TE Part #170140-2
187 FASTON,FLAG,REC.,16-20 AWG, TPBR



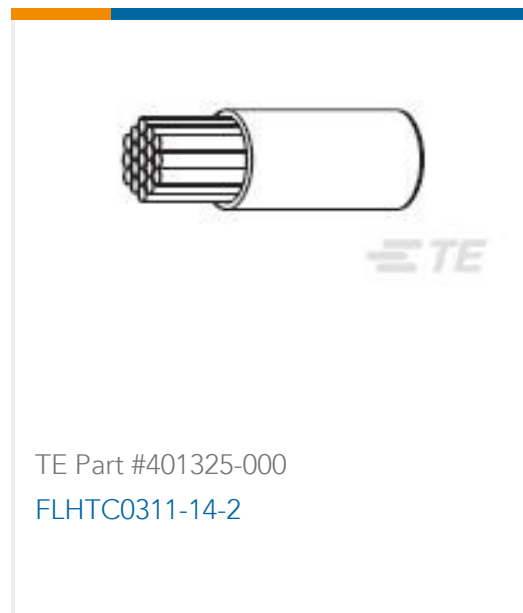
TE Part #170325-1
187 PL MKII REC. 20-16AWG PTBR



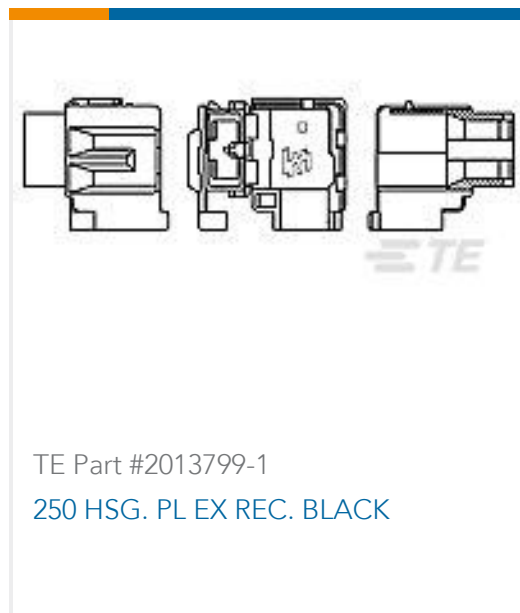
TE Part #41802
250 FASTON FLAG REC 18-12 AWG TPBR



TE Part #1718475-1
MCON 2.8 TERMINAL - LL



TE Part #401325-000
FLHTC0311-14-2



TE Part #2013799-1
250 HSG. PL EX REC. BLACK



TE Part #1473226-1
SOCKET WITH RING MINI U-M-N-L



Documents

Product Drawings

[250 PL EX FLAG REC. 18-12AWG PTBR](#)

English

CAD Files

[3D PDF](#)

3D

Customer View Model

[ENG_CVM_CVM_175057-1_L1.2d_dxf.zip](#)

English

Customer View Model

[ENG_CVM_CVM_175057-1_L1.3d_igs.zip](#)

English

Customer View Model

[ENG_CVM_CVM_175057-1_L1.3d_stp.zip](#)

English

By downloading the CAD file I accept and agree to the [Terms and Conditions](#) of use.

Product Specifications

[Application Specification](#)

English

Product Environmental Compliance

[MD_175057-1_11162018854_dmtec](#)

English

[MD_175057-1_11162018854_dmtec](#)

English

Instruction Sheets

[Instruction Sheet \(non U.S.\)](#)

English

[POSITIVE LOCK EX CONTACT](#)

English

Agency Approvals

[Agency Approval Document](#)

175057-1

Quick Disconnects, Receptacle, 18 – 12 AWG Wire Size, .82 – 3.31 mm² Wire Size,
Mating Tab Width .25 in [6.35 mm], Flag, Brass, Positive Lock 250



English