

**PLEASE CHECK WWW.MOLEX.COM FOR LATEST PART INFORMATION**

**Part Number:** [0190050009](#)  
**Status:** **Active**  
**Description:** InsulKrimp™ Fully Insulated Coupler, Female, for 14-16 AWG Wire, Mylar Tape

**Documents:**

[Drawing \(PDF\)](#) [RoHS Certificate of Compliance \(PDF\)](#)  
[Product Specification PS-19902-008 \(PDF\)](#)

**General**

Product Family Quick Disconnects  
 Series [19005](#)  
 Product Name InsulKrimp™  
 Type Quick Disconnect

**Physical**

Barrel Type Closed  
 Color - Resin Natural  
 Flammability 94V-0  
 Gender Female  
 Glow-Wire Compliant No  
 Insulation Nylon (PA)  
 Lock to Mating Part None  
 Material - Metal Brass  
 Material - Resin Nylon  
 Orientation Straight  
 Packaging Type Adhesive Tape on Reel  
 Polarized to Mating Part No  
 Tab Thickness 0.81mm (.032")  
 Tab Width 6.35mm (.250")  
 Temperature Range - Operating -65°C to +105°C  
 Wire Insulation Diameter 4.19mm (.165") max.  
 Wire Size AWG 14  
 Wire Size AWG 16  
 Wire Size mm² 1.30 - 2.00

**Electrical**

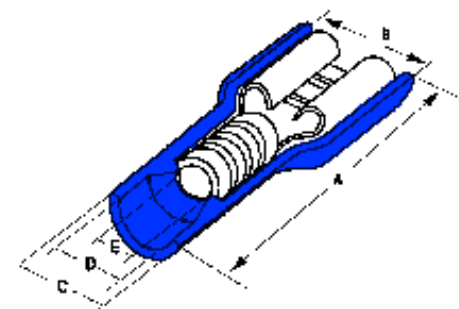
CSA LR18689  
 UL E79133  
 Voltage - Maximum 600V

**Material Info**

Old Part Number BB-2263T

**Reference - Drawing Numbers**

Product Specification PS-19902-008  
 Sales Drawing SD-19005-001



Series image - Reference only

**EU RoHS**

**ELV and RoHS Compliant**  
**REACH SVHC Contains SVHC: No**  
**Halogen-Free Status**  
**Not Reviewed**

**China RoHS**



**Need more information on product environmental compliance?**

Email [productcompliance@molex.com](mailto:productcompliance@molex.com)  
 Please visit the [Contact Us](#) section for any non-product compliance questions.

**Search Parts in this Series**

[19005 Series](#)

**Use With**

[19004-0005](#) , [19004-0008](#)

**Application Tooling | FAQ**

*Tooling specifications and manuals are found by selecting the products below. Crimp Height Specifications are then contained in the Application Tooling Specification document.*

**Global**

Description	Product #
Crimp Dies for MTA-100 Tape Applicator used in 3BF Press, MTA-105 Tape Applicator used in TM-2000™ Press, and ATP-301 Air Crimping Press for Mylar Tape Mounted Terminals	<a href="#">0192880095</a>
Mini-Mac™ Applicator	<a href="#">0638852600</a>

This document was generated on 11/04/2009

**PLEASE CHECK [WWW.MOLEX.COM](http://WWW.MOLEX.COM) FOR LATEST PART INFORMATION**