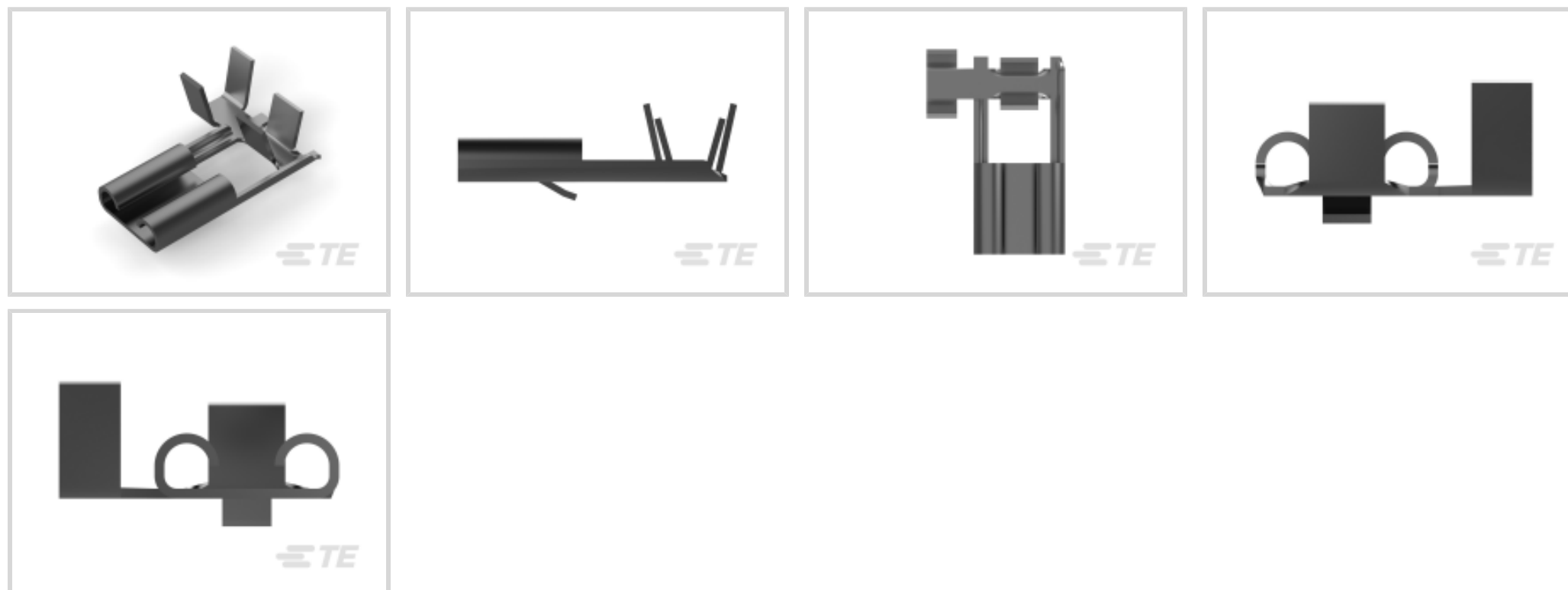




Terminals & Splices > Quick Disconnects



Quick Disconnect Terminal Type: **Receptacle**

Wire Size: 1.03 – 2.62 mm<sup>2</sup>

Mating Tab Width: 6.35 mm [.25 in]

Mating Tab Thickness: .81 mm [.032 in]

## Features

### Product Type Features

Terminates To	Wire & Cable
Wire/Cable Type	Regular Wire
Wire Stop	No
Insertion Force	Normal
Sealable	No

### Configuration Features

Connection Capacity	Single
---------------------	--------

### Electrical Characteristics

Voltage (Max)	250 V
---------------	-------

### Contact Features

Quick Disconnect Terminal Type	Receptacle
Mating Tab Width	6.35 mm [.25 in]
Mating Tab Thickness	.81 mm [.032 in]
Terminal Orientation	Flag



Contact Base Material	Brass
Terminal Plating Material	Tin
Crimp Type	F-Crimp
Barrel Type	Open

### Mechanical Attachment

Mating Retention Type	Locking Lance
Locking Lance Height	1.2 mm
Wire Insulation Support	With

### Dimensions

Accepts Wire Insulation Diameter Range	2.41 – 3.81 mm [.095 – .15 in]
Receptacle Terminal Stock Thickness	.41 mm [.016 in]
Overall Length	14.2 mm [.56 in]
Wire Size	1.03 – 2.62 mm <sup>2</sup>

### Usage Conditions

Insulation Option	Uninsulated
Operating Temperature Range	-40 – 110 °C [-40 – 230 °F]

### Industry Standards

UL Flammability Rating	UL 94V-0
------------------------	----------

### Packaging Features

Packaging Quantity	4000
Packaging Method	Strip/Reel

### Other

Comment	With wire stop., Without Dimple
---------	---------------------------------

### Product Compliance

[For compliance documentation, visit the product page on TE.com>](#)

EU RoHS Directive 2011/65/EU	Compliant
EU ELV Directive 2000/53/EC	Compliant
China RoHS 2 Directive MIIT Order No 32, 2016	No Restricted Materials Above Threshold
EU REACH Regulation (EC) No. 1907/2006	Current ECHA Candidate List: JUNE 2022 (224) Candidate List Declared Against: JAN 2022 (223)

SVHC > Threshold:  
Not Yet Reviewed

Halogen Content

Low Halogen - Br, Cl, F, I < 900 ppm per homogenous material. Also BFR/CFR/PVC Free

Solder Process Capability

Not applicable for solder process capability

Product Compliance Disclaimer

This information is provided based on reasonable inquiry of our suppliers and represents our current actual knowledge based on the information they provided. This information is subject to change. The part numbers that TE has identified as EU RoHS compliant have a maximum concentration of 0.1% by weight in homogenous materials for lead, hexavalent chromium, mercury, PBB, PBDE, DBP, BBP, DEHP, DIBP, and 0.01% for cadmium, or qualify for an exemption to these limits as defined in the Annexes of Directive 2011/65/EU (RoHS2). Finished electrical and electronic equipment products will be CE marked as required by Directive 2011/65/EU. Components may not be CE marked. Additionally, the part numbers that TE has identified as EU ELV compliant have a maximum concentration of 0.1% by weight in homogenous materials for lead, hexavalent chromium, and mercury, and 0.01% for cadmium, or qualify for an exemption to these limits as defined in the Annexes of Directive 2000/53/EC (ELV). Regarding the REACH Regulation, the information TE provides on SVHC in articles for this part number is based on the latest European Chemicals Agency (ECHA) 'Guidance on requirements for substances in articles' posted at this URL: <https://echa.europa.eu/guidance-documents/guidance-on-reach>

## Compatible Parts



TE Part # 160917-2  
FF 250 REC 1-2.5MM2 TPBR



TE Part # 180373-2  
FF 312 REC 1-2.5MM2 TPBR



TE Part # 160917-4  
FF 250 REC 1-2.5MM2 TPPB



TE Part # 180453-2  
FF 312 REC 1-2.5MM2 TPBR



TE Part # 280098-2  
FF 250 REC 1-2.5MM2 TPPB



TE Part # 160914-2  
FF 250 REC 4-6MM2 TPBR



TE Part # 5-160446-5  
FF 250 REC 1.0-2.5MM2 TBBR



TE Part # 280428-4  
FF 250 REC 0.5-1.5MM2 BR



TE Part # 1-180453-2  
FF 312 REC 1-2.5MM2



TE Part # 160871-6  
FF 250 REC TERMINAL FLAG 20-17 TPBR



TE Part # 180398-5  
FF 250 REC 1-2.5MM2 TPPB

## Also in the Series | FASTIN-FASTON 250



Crimp Terminal Housings(218)



Insertion &amp; Extraction Tools(2)

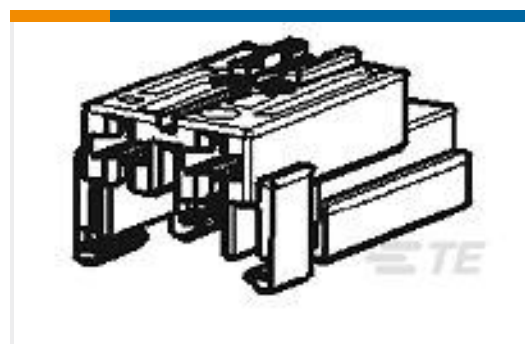
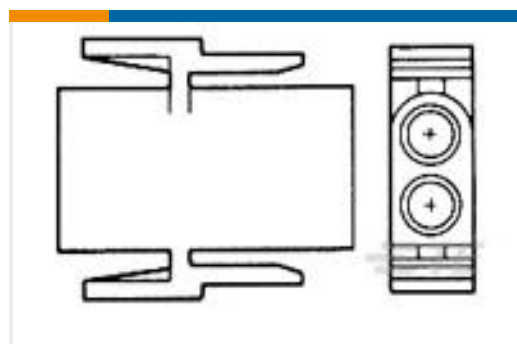
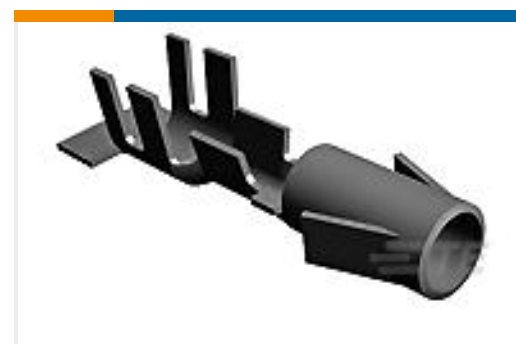
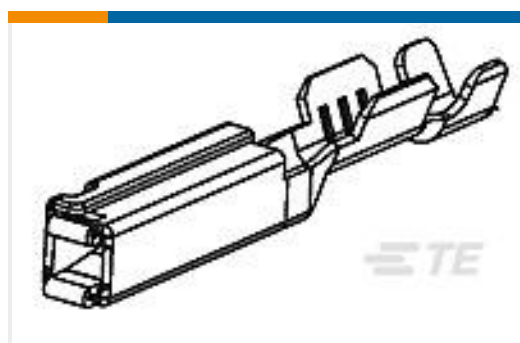
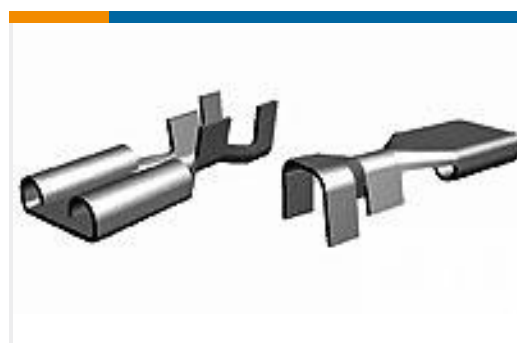
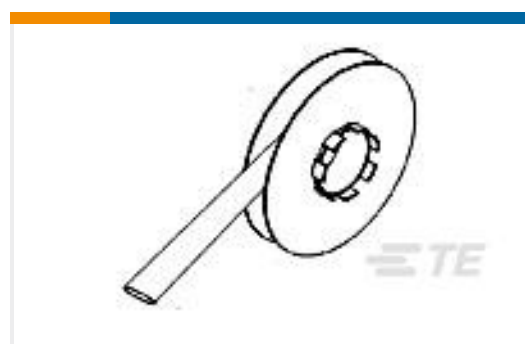
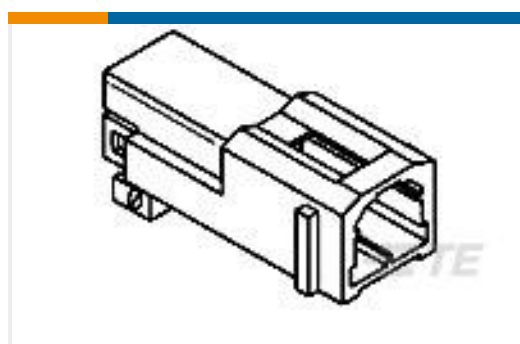


PCB Terminals(2)



Quick Disconnects(255)

## Customers Also Bought

TE Part #968182-1  
JPT/MT3 BU-GEH 4PTE Part #1445049-2  
FREE HANG SNGL ROW HSG 2 POSTE Part #1-350344-0  
02P .140 MNL PLUG NATTE Part #925712-2  
.140 DIA SOCKETTE Part #963293-1  
SEALING F JPT+2,8TE Part #1393367-1  
V23540X7000Y 11=GET-FEM TERM STE Part #63820-1  
312 FASTON REC 14-10 AWG SPBRTE Part #1-794608-2  
PIN CONT 20-24 30 GOLD STRIPTE Part #997183-000  
TTMS-3.2-9TE Part #174460-2  
070 MULTILOCK 2P CAP HSG

## Documents

### Product Drawings

[FF 250 REC 1-2.5MM2 TPBR](#)

English

### CAD Files

[3D PDF](#)

3D



#### Customer View Model

[ENG\\_CVM\\_CVM\\_180398-2\\_AD\\_c-180398-2-ad.2d\\_dxf.zip](#)

English

#### Customer View Model

[ENG\\_CVM\\_CVM\\_180398-2\\_AD\\_c-180398-2-ad.3d\\_igs.zip](#)

English

#### Customer View Model

[ENG\\_CVM\\_CVM\\_180398-2\\_AD\\_c-180398-2-ad.3d\\_stp.zip](#)

English

By downloading the CAD file I accept and agree to the [Terms and Conditions](#) of use.

#### Datasheets & Catalog Pages

[1654742\\_HOUSEHOLD\\_APPLIANCES\\_RAST5](#)

English

#### Product Specifications

[FASTON & FASTIN-FASTON conn. .250 srs. flag rec. etc.](#)

[Application Specification](#)