

177627-1 ✓ ACTIVE

[Positive Lock](#) | [Positive Lock 250](#)

TE Internal #: 177627-1

Crimp Terminal Housings, Receptacle, Receptacle, 1 Position,
Straight, UL 94V-0, Natural, Nylon, Mating Alignment, Positive Lock
250

[View on TE.com >](#)



Terminals & Splices > Terminal Housings, Insulation Sleeves & Blocks > Crimp Terminal Housings



Terminal Type: **Receptacle**

Housing Type: **Receptacle**

Number of Positions: **1**

Terminal Orientation: **Straight**

UL Flammability Rating: **UL 94V-0**

Features

Product Type Features

Terminates To	Wire & Cable
Product Type	Terminal Housing
Sealable	No
Connector System	Wire-to-Board, Wire-to-Wire
Housing Type	Receptacle
Insulated	No

Configuration Features

Number of Positions	1
---------------------	---

Body Features

Primary Product Color	Natural
-----------------------	---------

Contact Features

Terminal Type	Receptacle
Terminal Orientation	Straight
Contact Mating Retention	Without



Mechanical Attachment

Mating Alignment Type	Polarization
Mating Alignment	With
Crimp Terminal Housing Mounting Style	Cable Mount (Free-Hanging)

Housing Features

Housing Material	Nylon
------------------	-------

Usage Conditions

Operating Temperature Range	-40 – 105 °C[-40 – 221 °F]
-----------------------------	----------------------------

Industry Standards

UL Flammability Rating	UL 94V-0
------------------------	----------

Packaging Features

Packaging Quantity	1000
--------------------	------

Product Compliance

[For compliance documentation, visit the product page on TE.com>](#)

EU RoHS Directive 2011/65/EU	Compliant
EU ELV Directive 2000/53/EC	Compliant
China RoHS 2 Directive MIIT Order No 32, 2016	No Restricted Materials Above Threshold
EU REACH Regulation (EC) No. 1907/2006	Current ECHA Candidate List: JUNE 2022 (224) Candidate List Declared Against: JAN 2022 (223) SVHC > Threshold: Not Yet Reviewed
Halogen Content	Low Halogen - Br, Cl, F, I < 900 ppm per homogenous material. Also BFR/CFR/PVC Free
Solder Process Capability	Not applicable for solder process capability

Product Compliance Disclaimer

This information is provided based on reasonable inquiry of our suppliers and represents our current actual knowledge based on the information they provided. This information is subject to change. The part numbers that TE has identified as EU RoHS compliant have a maximum concentration of 0.1% by weight in homogenous materials for lead, hexavalent chromium, mercury, PBB, PBDE, DBP, BBP, DEHP, DIBP, and 0.01% for cadmium, or qualify for an exemption to these limits as defined in the Annexes of Directive 2011/65/EU (RoHS2). Finished electrical and electronic equipment products will be CE marked as required by Directive 2011/65/EU. Components may not be CE marked. Additionally, the part numbers that TE has identified as EU ELV compliant have a maximum concentration of 0.1% by weight in homogenous materials for lead, hexavalent chromium, and mercury, and 0.01% for cadmium, or qualify for an exemption to these limits as defined in the Annexes of Directive 2000/53/EC (ELV). Regarding the REACH Regulation, the information TE provides on SVHC in articles for this part number is based on the latest European Chemicals Agency (ECHA) 'Guidance on

requirements for substances in articles' posted at this URL: <https://echa.europa.eu/guidance-documents/guidance-on-reach>

Compatible Parts



TE Part # 63239-1
POSITIVE LOCK 250 REC 12-10 AWG
TPBR



TE Part # 170329-1
250 PL MKII REC. 15-10AWG PTBR



TE Part # 170328-1
250 PL MKII REC. 18-14AWG PTBR



TE Part # 170333-1
PL 250 RECEPTACLE 22-18 AWG
PTPBR



TE Part # 170335-1
PL 250 RECEPTACLE 15-10 AWG
PTPBR



TE Part # 927076-1
PL HOUSING 0.6 PA 6.6 + PE-GF13
BLACK



TE Part # 928083-1
PL 187 REC HSG 1P NYLON NAT



TE Part # 170327-1
250 PL MKII REC. 22-18AWG PTBR



TE Part # 1-2133341-2
250 HSG. PL MKI REC. NAT



TE Part # 170334-1
205 PL MII,REC.,18-14,PTBR



TE Part # 926330-3
6P POS-LOCK BU GEH



TE Part # 1-2133341-1
PL MK1 RECEPTACLE NATURAL 6.6
PA



TE Part # 2238155-1
POS LOCK 250 Rec, MKII, 18-14 TPBR



TE Part # 2238156-1
POS LOCK 250 Rec, MKII, 22-18 TPBR

Also in the Series | **Positive Lock 250**



Automotive Terminals(1)



Crimp Terminal Housings(203)



Insertion & Extraction Tools(3)



Insulation Boots & Sleeves(4)



Quick Disconnects(189)

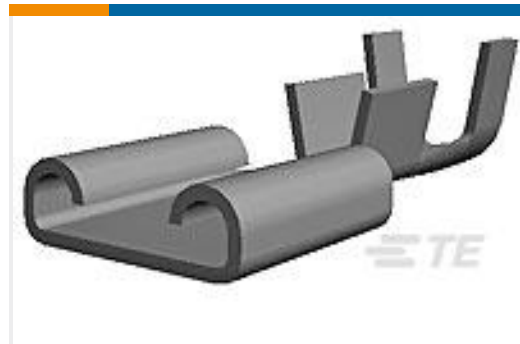
Customers Also Bought



TE Part #177915-2
AMP POWER DBL LOCK REC



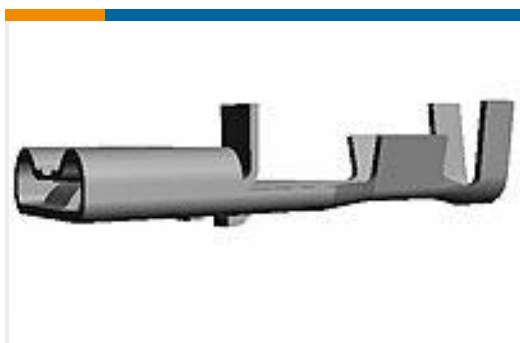
TE Part #8-34124-1
TERM,SOLIS R 16-14 1/4



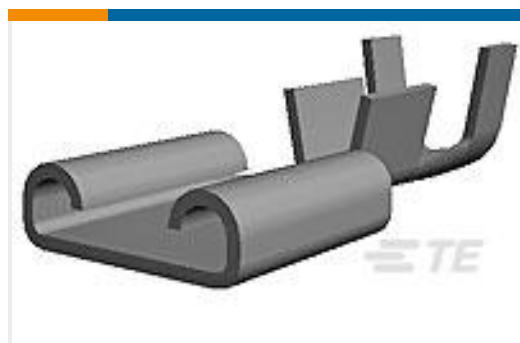
TE Part #170183-1
250 FASTON,REC.,22-18 AWG,BR



TE Part #170037-2
187 FASTON,REC.,20-16 AWG,TPBR



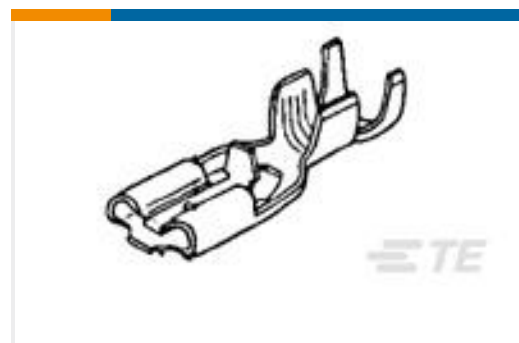
TE Part #170329-1
250 PL MKII REC. 15-10AWG PTBR



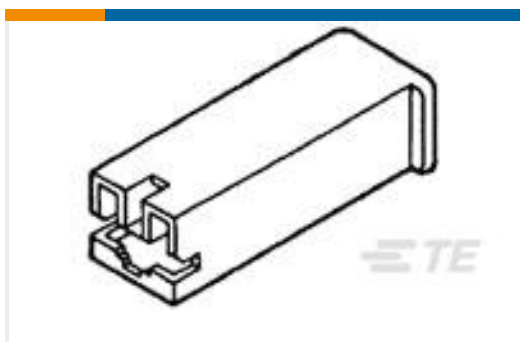
TE Part #170183-2
250 FASTON,REC.,22-18 AWG,TPBR



TE Part #170213-2
250 FASTON,REC.,18-14 AWG,TPBR



TE Part #170325-1
187 PL MKII REC. 20-16AWG PTBR



TE Part #172076-2
PL MKII 250 REC HSG 1P NYLON
BLACK



TE Part #2-34125-6
TERMINAL,SOLIS R 16-14 5/16

Documents



Product Drawings

PL .250 (6.3 MM) HOUSING RECEPTACLE

English

CAD Files

3D PDF

3D

Customer View Model

[ENG_CVM_CVM_177627-1_C.2d_dxf.zip](#)

English

Customer View Model

[ENG_CVM_CVM_177627-1_C.3d_igs.zip](#)

English

Customer View Model

[ENG_CVM_CVM_177627-1_C.3d_stp.zip](#)

English

By downloading the CAD file I accept and agree to the [Terms and Conditions](#) of use.

Datasheets & Catalog Pages

Positive Lock Receptacles

English

Product Specifications

Product Specification

Japanese

"250" Series, Positive Lock Connector

Japanese

Product Environmental Compliance

TE Material Declaration

English