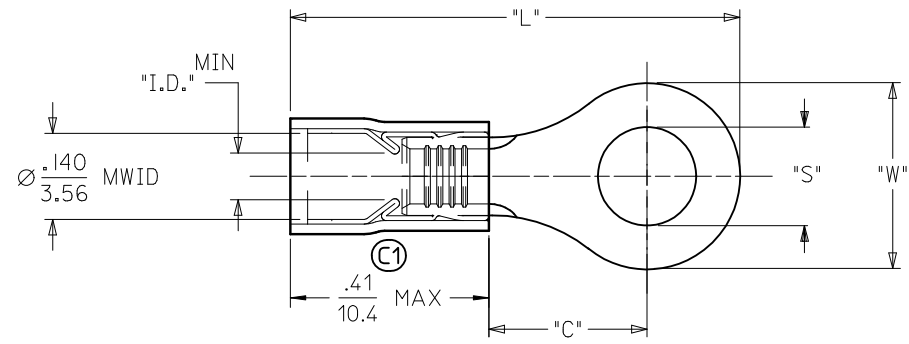
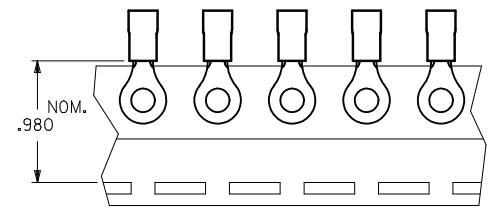


MATERIAL NUMBER	ALTERNATE NUMBER	STUD SIZE	"S"	"W"	"C" MIN (C1)	"L" MAX (C1)	"I.D."	PACKAGING
190730036	AA-832-04	04	.119(3.02)	.25(6.5)	.24(6.1)	(C1) .81 (20.6)	.062(1.57)	LOOSE PIECE
190730038	AA-832-06	06	.146(3.71)	.25(6.5)	.24(6.1)	(C1) .81 (20.6)	.062(1.57)	
190730042	AA-832-08	08	.173(4.39)	.25(6.5)	.24(6.1)	(C1) .81 (20.6)	.062(1.57)	
190730046	AA-833-04	04	.119(3.02)	.27(6.9)	.24(6.1)	.82(20.7)	.062(1.57)	
190730047	AA-833-06	06	.146(3.71)	.27(6.9)	.24(6.1)	.82(20.7)	.062(1.57)	
190730048	AA-833-08	08	.173(4.39)	.27(6.9)	.24(6.1)	.82(20.7)	.062(1.57)	
190730049	AA-833-10	10	.198(5.03)	.27(6.9)	.24(6.1)	.82(20.7)	.062(1.57)	
190730001	AA-8111-02	02	.094(2.38)	.19(4.8)	.17(4.4)	.72(18.2)	.054(1.37)	
190730003	AA-8111-04	04	.119(3.02)	.19(4.8)	.17(4.4)	.72(18.2)	.054(1.37)	
190730037	AA-832-04T	04	.119(3.02)	.25(6.5)	.24(6.1)	(C1) .81 (20.6)	.062(1.57)	
190730040	AA-832-06T	06	.146(3.71)	.25(6.5)	.24(6.1)	(C1) .81 (20.6)	.062(1.57)	
190730043	AA-832-08T	08	.173(4.39)	.25(6.5)	.24(6.1)	(C1) .81 (20.6)	.062(1.57)	
190730050	AA-833-10T	10	.198(5.03)	.27(6.9)	.24(6.1)	.82(20.7)	.062(1.57)	
190730002	AA-8111-02T	02	.094(2.38)	.19(4.8)	.17(4.4)	.72(18.2)	.054(1.37)	
190730004	AA-8111-04T	04	.119(3.02)	.19(4.8)	.17(4.4)	.72(18.2)	.054(1.37)	



- NOTES:
- MATERIAL: COPPER
PLATING: ELECTROPLATE TIN
 - FERRULE: TIN-PLATED BRASS
 - INSULATION: RED NYLON
 - MWID=MAXIMUM WIRE INSULATION DIA.
 - ALL DIMENSIONS IN INCHES (MM).
 - PARTS ARE ROHS COMPLIANT.

(C1)

FIX TOLERANCES EC NO: WNA2010-0470 DRW: WETHRODAHL 2010/01/27 CHKD: JMACNEIL 2010/01/27 APPR: JMACNEIL 2010/01/27 REV: C1	QUALITY SYMBOLS ▽=0 ▽=0	GENERAL TOLERANCES (UNLESS SPECIFIED) <table border="1"> <thead> <tr> <th></th> <th>mm</th> <th>INCH</th> </tr> </thead> <tbody> <tr> <td>4 PLACES</td> <td>± ---</td> <td>± ---</td> </tr> <tr> <td>3 PLACES</td> <td>± ---</td> <td>± .005</td> </tr> <tr> <td>2 PLACES</td> <td>± 0.13</td> <td>± .01</td> </tr> <tr> <td>1 PLACE</td> <td>± 0.25</td> <td>± ---</td> </tr> </tbody> </table> ANGULAR ±1/2°		mm	INCH	4 PLACES	± ---	± ---	3 PLACES	± ---	± .005	2 PLACES	± 0.13	± .01	1 PLACE	± 0.25	± ---	DIMENSION STYLE IN/MM	SCALE 1:1	DESIGN UNITS INCH	THIRD ANGLE PROJECTION
		mm	INCH																		
	4 PLACES	± ---	± ---																		
	3 PLACES	± ---	± .005																		
	2 PLACES	± 0.13	± .01																		
1 PLACE	± 0.25	± ---																			
DRAFT WHERE APPLICABLE MUST REMAIN WITHIN DIMENSIONS	DRAWN BY ASAYDEH	DATE 05/12/07	TITLE RING TONGUE TERMINAL 22-18 AWG AVIKRIMP, 800-SERIES	MOLEX INCORPORATED	DOCUMENT NO. SD-19073-004	SHEET NO. 1 OF 1															
MATERIAL NO. SEE CHART	THIS DRAWING CONTAINS INFORMATION THAT IS PROPRIETARY TO MOLEX INCORPORATED AND SHOULD NOT BE USED WITHOUT WRITTEN PERMISSION																				