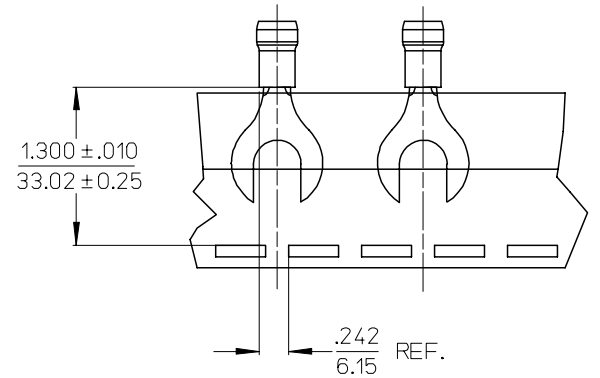
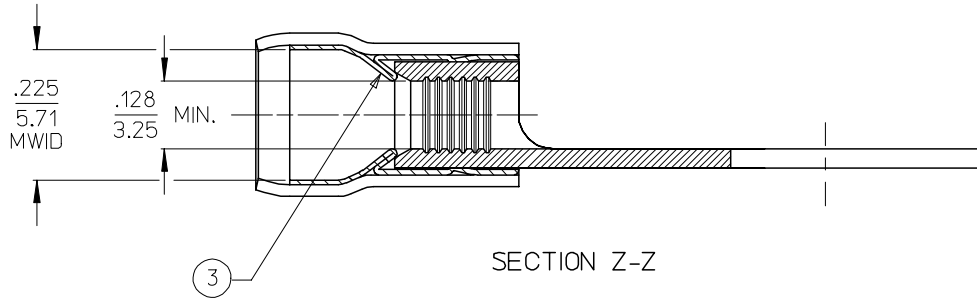
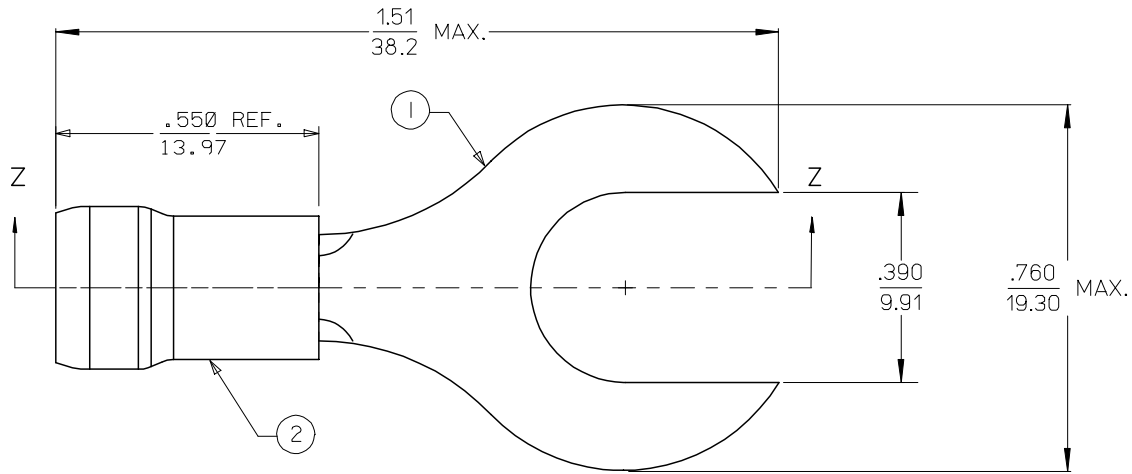


MATERIAL NO. LOOSE PIECE	ENGINEERING P/N LOOSE PIECE	MATERIAL NO. TAPE MOUNTED	ENGINEERING P/N TAPE MOUNTED
191410118	C-801-38 MOD	191410119	C-801-38T MOD



TAPE DIMENSIONS
SCALE 1:1

3	1	FERRULE	BRASS	TIN PLATED
2	1	INSULATION	NYLON	YELLOW
1	1	SLOTTED RING TERMINAL	COPPER	TIN PLATED
ITEM	QTY	DESCRIPTION	MATERIAL	FINISH

NOTES:

1. WIRE SIZE: 12 - 10 AWG (4.0 - 6.0 MM²)
2. ASSEMBLY IS ROHS COMPLIANT.
3. MWID = MAXIMUM WIRE INSULATION DIAMETER

RELEASE
EC NO: ETC2007-0386
DRW:ETHRODAHL 2007/08/06
CHKD:JMACNEIL 2007/08/10
APPR:JMACNEIL 2007/08/13

QUALITY SYMBOLS
▽=0
▽=0

GENERAL TOLERANCES (UNLESS SPECIFIED)	
mm	INCH
4 PLACES ±---	±---
3 PLACES ±---	±.005
2 PLACES ±0.13	±.01
1 PLACE ±0.25	±---
ANGULAR ±---°	

DIMENSION STYLE	
IN/MM	
DRAWN BY	DATE
ETHRODAHL	2007/07/06
CHECKED BY	DATE
JMACNEIL	2007/07/10
APPROVED BY	DATE
JMACNEIL	2007/07/13

SCALE	DESIGN UNITS	THIRD ANGLE PROJECTION
4:1	INCH	☉
TITLE		
SLOTTED RING TERMINAL 12-10 AWG		
MATERIAL NO.		
SEE CHART		
DOCUMENT NO.		
SD-19141-009		
SHEET NO.		1 OF 1

DRAFT WHERE APPLICABLE
MUST REMAIN
WITHIN DIMENSIONS

THIS DRAWING CONTAINS INFORMATION THAT IS PROPRIETARY TO MOLEX INCORPORATED AND SHOULD NOT BE USED WITHOUT WRITTEN PERMISSION