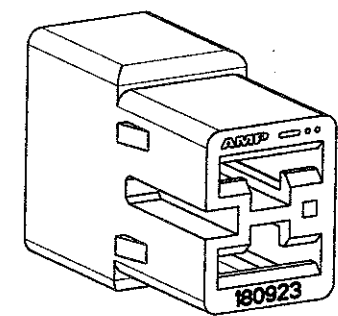
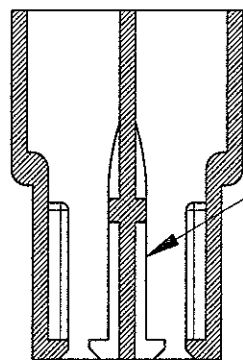


LOC	DIST	REVISIONS					
		P	LTR	DESCRIPTION	DATE	DWN	APVD
1	-	AG2		REVISED AND REDRAWN ET00-0098-02	20 SEP 2002	HY	CT

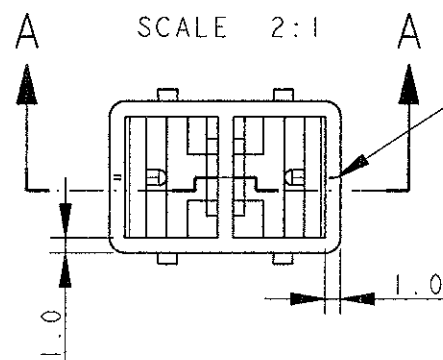
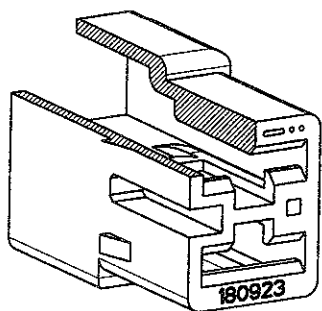
- 1 RISERVATO PER TE AMP GERMANY (RESTRICTED FOR TE AMP GERMANY)
- 2 RISERVATO PER TE AMP DE FRANCE (RESTRICTED FOR TE AMP DE FRANCE)
- 3 FOR FOREIGN PRODUCTION ONLY
- 4 NON DISPONIBILE DA TE AMP ITALIA (NO MORRE AVAILABLE FROM TE AMP ITALIA)



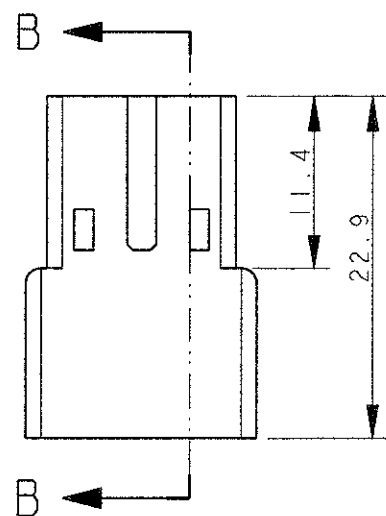
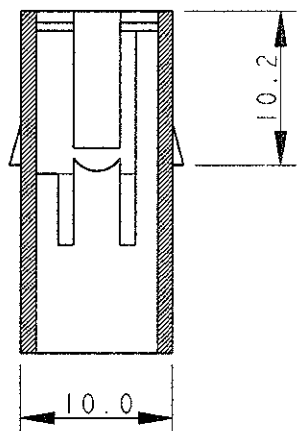
SECTION A-A



TIPICA CAVITA' PER TERMINALE TE AMP FASTIN-FASTON SR. 6.35 mm (TYPICAL CAVITY FOR TE AMP FASTIN-FASTON .250" SR.)

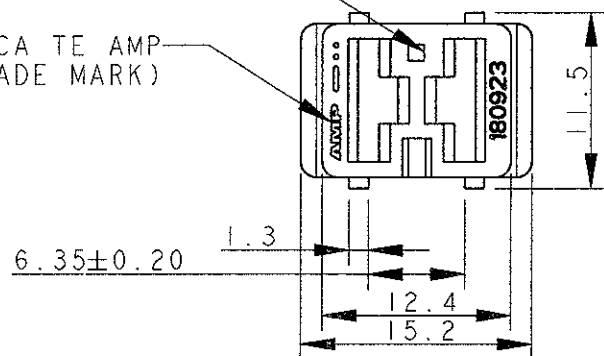


SECTION B-B



NUMERO DI IMPRONTA STAMPO (MOULD CAVITY IDENTIFICATION NO.)

MARCHIO DI FABBRICA TE AMP (TE AMP TRADE MARK)



NOTE	COLORE (COLOUR)	MATERIALE (MATERIAL)	NUMERO (P/N)	REV
3 4	NATURALE (NATURAL)	PA 6.6 (PA 6.6 UNFILLED)	9-180923-0	AG
3 4	NATURALE (NATURAL)	PA 6.6 UL 94 V-0 (PA 6.6 UNFILLED UL 94 V-0)	4-180923-0	AG
2	NATURALE (NATURAL)	PA 6.6 (PA 6.6 UNFILLED)	3-180923-0	AG
1	NATURALE (NATURAL)	ZYTEL E103 HSLC	2-180923-0	AG
3 4	ARANCIO (ORANGE)	PA 6.6 (PA 6.6 UNFILLED)	0-180923-9	AG
3 4	VIOLETTO (VIOLET)		0-180923-8	AG
	NERO (BLACK)		0-180923-5	AG
3 4	GIALLO (YELLOW)		0-180923-4	AG
	BLU (BLUE)		0-180923-3	AG
	VERDE (GREEN)		0-180923-2	AG
	ROSSO (RED)		0-180923-1	AG
	NATURALE (NATURAL)		0-180923-0	AG

THIS DRAWING IS A CONTROLLED DOCUMENT FOR TYCO ELECTRONICS CORPORATION. IT IS SUBJECT TO CHANGE AND THE CONTROLLING ENGINEERING ORGANIZATION SHOULD BE CONTACTED FOR THE LATEST REVISION.

DWN H. YAALI 31 JUL 2002
 CHK C. TARTARI
 APVD -

tyco Electronics AMP Italia S.p.A.
 Corso F.lli Cervi, 15 COLLEGNO (TO)

NAME FASTIN-FASTON™ Connector, .250" srs. RECEPTACLE HOUSING 2 POSITIONS

PRODUCT SPEC 108-20020
 APPLICATION SPEC -

SIZE A3 CAGE CODE 00779 DRAWING NO. 180923 RESTRICTED TO -

MATERIAL SEE TABLE FINISH SEE TABLE WEIGHT 1.5 g

CUSTOMER DRAWING SCALE 2:1 SHEET 1 OF 1 REV AG2