

1903390-1 ✓ ACTIVE

## GRACE INERTIA 2.5

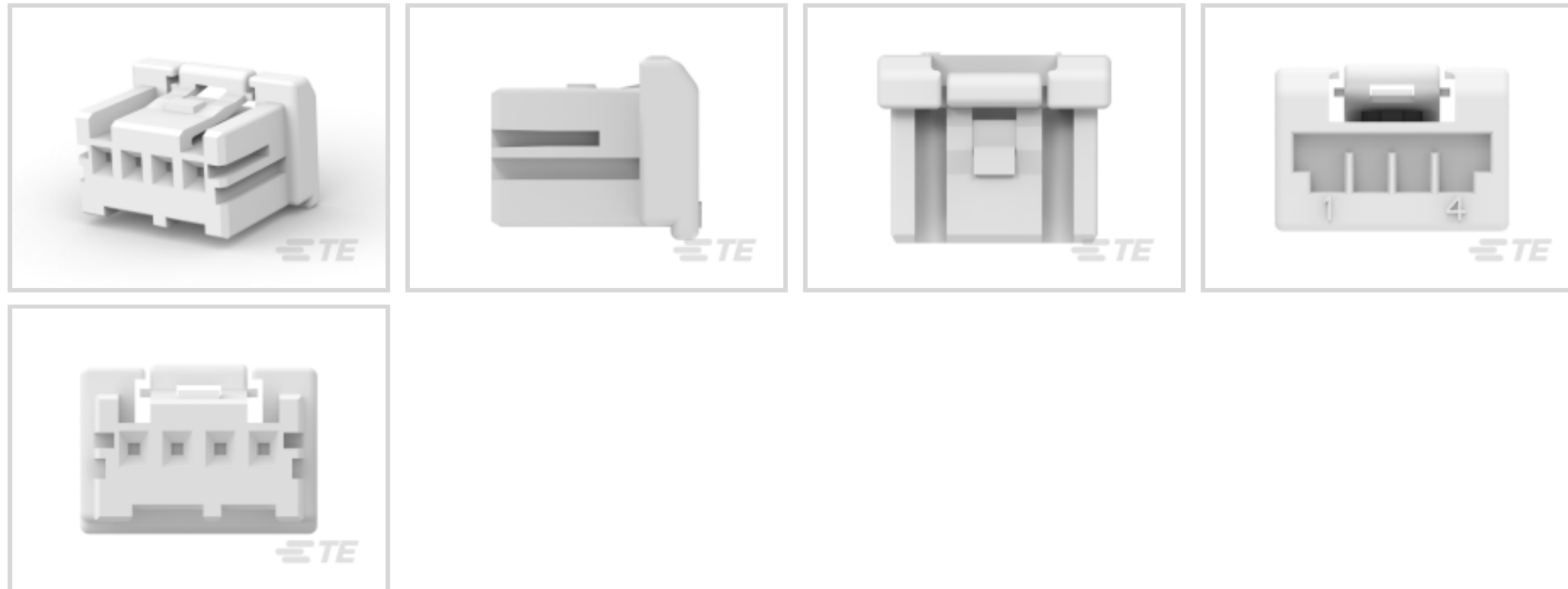
TE Internal #: 1903390-1

Housing, Plug, Wire-to-Wire, 4 Position, 2.5 mm [.098 in] Centerline,  
Crimp, 1 Row, Natural, Mating Retention, Wire & Cable, GRACE  
INERTIA 2.5

[View on TE.com >](#)



Connectors > PCB Connectors > Wire-to-Board Connectors > Wire-to-Board Connector Assemblies & Housings



Connector Product Type: **Housing**

Connector & Housing Type: **Plug**

Connector System: **Wire-to-Wire**

Number of Positions: **4**

Centerline (Pitch): **2.5 mm [.098 in]**

### Features

#### Product Type Features

Connector Product Type	Housing
Connector & Housing Type	Plug
Connector System	Wire-to-Wire
Sealable	No
Connector & Contact Terminates To	Wire & Cable

#### Configuration Features

Keying Code	A
Number of Positions	4
Number of Rows	1

#### Electrical Characteristics

Operating Voltage	250 VAC
-------------------	---------

#### Contact Features

Contact Layout	Inline
Contact Type	Pin



Contact Base Material	Copper Alloy
-----------------------	--------------

### Termination Features

Termination Method to Wire & Cable	Crimp
------------------------------------	-------

### Mechanical Attachment

Strain Relief	Without
---------------	---------

Panel Mount Feature	Without
---------------------	---------

PCB Mount Retention	Without
---------------------	---------

Mating Retention Type	Latch
-----------------------	-------

Mating Retention	With
------------------	------

Connector Mounting Type	Cable Mount (Free-Hanging)
-------------------------	----------------------------

### Housing Features

Housing Entry Configuration	Both Ends Open
-----------------------------	----------------

Housing Material	PBT GF
------------------	--------

Centerline (Pitch)	2.5 mm [.098 in]
--------------------	------------------

Housing Color	Natural
---------------	---------

### Dimensions

Connector Length	13.7 mm [.538 in]
------------------	-------------------

Connector Height	9.14 mm [.359 in]
------------------	-------------------

### Usage Conditions

Operating Temperature Range	-30 – 105 °C [-22 – 221 °F]
-----------------------------	-----------------------------

### Operation/Application

Circuit Application	Power & Signal
---------------------	----------------

### Industry Standards

Glow Wire Rating	Standard Part - Not Glow Wire
------------------	-------------------------------

UL Flammability Rating	UL 94V-0
------------------------	----------

### Packaging Features

Packaging Quantity	1000
--------------------	------

Packaging Method	Bag
------------------	-----

### Product Compliance

For compliance documentation, visit the product page on [TE.com](https://www.te.com)>

EU RoHS Directive 2011/65/EU	Compliant
EU ELV Directive 2000/53/EC	Compliant
China RoHS 2 Directive MIIT Order No 32, 2016	No Restricted Materials Above Threshold
EU REACH Regulation (EC) No. 1907/2006	Current ECHA Candidate List: JUNE 2022 (224) Candidate List Declared Against: JUNE 2022 (224) Does not contain REACH SVHC
Halogen Content	Not Low Halogen - contains Br or Cl > 900 ppm.
Solder Process Capability	Not applicable for solder process capability

## Product Compliance Disclaimer

This information is provided based on reasonable inquiry of our suppliers and represents our current actual knowledge based on the information they provided. This information is subject to change. The part numbers that TE has identified as EU RoHS compliant have a maximum concentration of 0.1% by weight in homogenous materials for lead, hexavalent chromium, mercury, PBB, PBDE, DBP, BBP, DEHP, DIBP, and 0.01% for cadmium, or qualify for an exemption to these limits as defined in the Annexes of Directive 2011/65/EU (RoHS2). Finished electrical and electronic equipment products will be CE marked as required by Directive 2011/65/EU. Components may not be CE marked. Additionally, the part numbers that TE has identified as EU ELV compliant have a maximum concentration of 0.1% by weight in homogenous materials for lead, hexavalent chromium, and mercury, and 0.01% for cadmium, or qualify for an exemption to these limits as defined in the Annexes of Directive 2000/53/EC (ELV). Regarding the REACH Regulation, the information TE provides on SVHC in articles for this part number is based on the latest European Chemicals Agency (ECHA) 'Guidance on requirements for substances in articles' posted at this URL: <https://echa.europa.eu/guidance-documents/guidance-on-reach>

## Compatible Parts

 <p>TE Part # 1747066-2 GRACE INERTIA CONN 2.5 PLUG HSG 2P NATUR</p>	 <p>TE Part # 1903392-1 GIC 2.5 W CAP HSG 3P NATURAL</p>	 <p>TE Part # 1903389-1 GIC 2.5 W PLUG HSG 3P NATURAL</p>	 <p>TE Part # 1903391-1 GIC 2.5 W CAP HSG 2P NATURAL</p>
 <p>TE Part # 1903388-1 GIC 2.5 W PLUG HSG 2P NATURAL</p>	 <p>TE Part # 2-1903393-3 GIC 2.5 W CAP HSG 4P BLUE</p>	 <p>TE Part # 1-1903391-2 GIC 2.5 W CAP HSG 2P RED</p>	 <p>TE Part # 1-1903388-2 GIC 2.5 W PLUG HSG 2P RED</p>




TE Part # 1981970-1  
GIC2.5W PLUG HOUSING 8POS (2-ROW) NAT



TE Part # 1-1903393-2  
GIC 2.5 W CAP HSG 4P RED



TE Part # 1903393-1  
GIC 2.5 W CAP HSG 4P NATURAL



TE Part # 3-1903393-4  
GIC 2.5 W CAP HSG 4P YELLOW




TE Part # 1-2315883-2  
GIC2.5W PLUG HOUSING 8POS (2-ROW) RED



TE Part # 2315883-1  
GIC2.5W PLUG HOUSING 8POS (2-ROW) NAT

Also in the Series | GRACE INERTIA 2.5




Connector Contacts(2)




PCB Headers & Receptacles(138)



PCB Latches, Locks & Retainers(5)




Rectangular Connector Housings(49)




Rectangular Connector Locking(2)



Rectangular Power Connectors(35)



Wire-to-Board Connector Assemblies & Housings(71)



Wire-to-Board Connector Contacts(5)

Customers Also Bought



TE Part #1565080-1  
GRACE INERTIA 3.5 TAB CONTACT(L)



TE Part #917765-1  
2.5 SIGNAL D/LOCK TAB CONT. M



TE Part #2-1871570-3  
Glow Wire GRACE INERTIA Plug



TE Part #6-1376383-2  
STD Temp Power Key Header



## Documents

### Product Drawings

[GIC 2.5 W PLUG HSG 4P NATURAL](#)

English

### CAD Files

[3D PDF](#)

3D

Customer View Model

[ENG\\_CVM\\_CVM\\_1903390-1\\_F\\_c-1903390-1-f.2d\\_dxf.zip](#)

English

Customer View Model

[ENG\\_CVM\\_CVM\\_1903390-1\\_F\\_c-1903390-1-f.3d\\_igs.zip](#)

English

Customer View Model

[ENG\\_CVM\\_CVM\\_1903390-1\\_F\\_c-1903390-1-f.3d\\_stp.zip](#)

English

By downloading the CAD file I accept and agree to the [Terms and Conditions](#) of use.

### Product Specifications

[Product Specification](#)

English

### Product Environmental Compliance

[Product Compliance](#)

English

[Product Compliance](#)

English