

175506-2 ✓ ACTIVE

AMP | Multilock Connector System

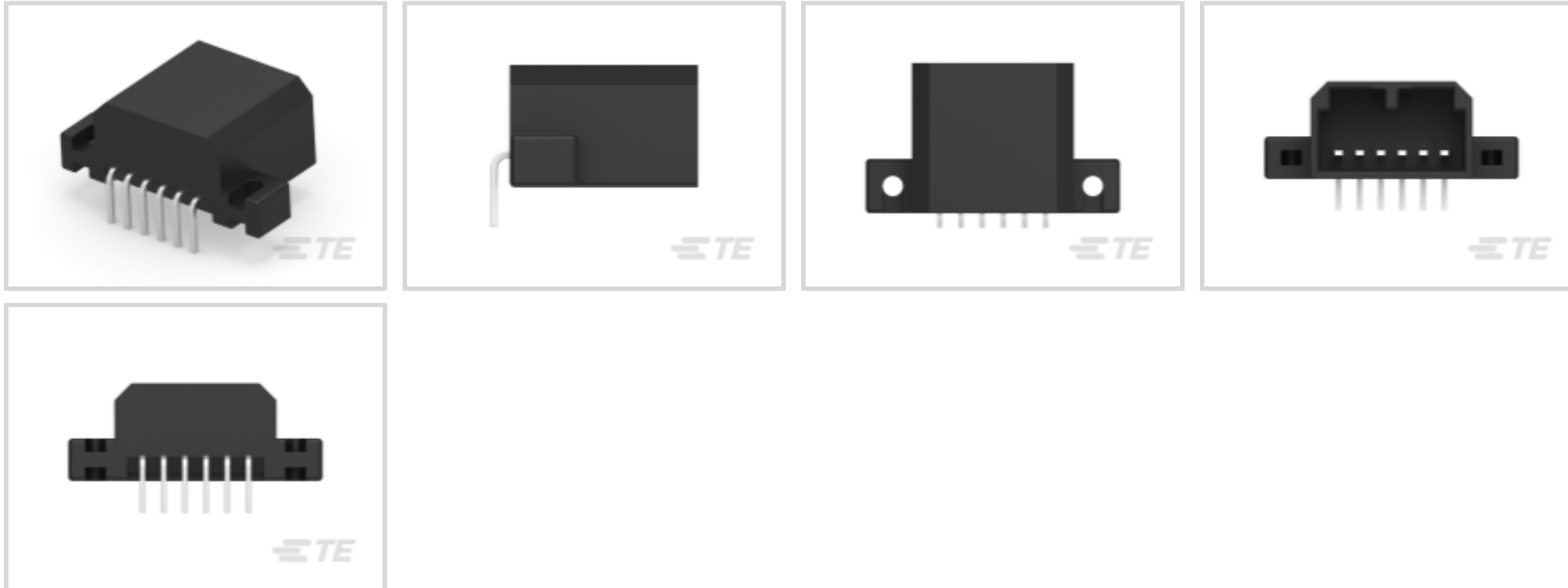
TE Internal #: 175506-2

PCB Mount Header, Horizontal, Wire-to-Board, 6 Position, .098 in [2.5 mm] Centerline, Fully Shrouded, Tin (Sn), Multilock Connector System

[View on TE.com >](#)



Connectors > PCB Connectors > PCB Headers & Receptacles



Connector System: **Wire-to-Board**

Number of Positions: **6**

Centerline (Pitch): **2.5 mm [.098 in]**

Sealable: **No**

PCB Mount Orientation: **Horizontal**

Features

Product Type Features

Hybrid Header	No
Connector & Housing Shape	Rectangular
PCB Connector Assembly Type	PCB Mount Header
Header Type	Fully Shrouded
Connector System	Wire-to-Board
Sealable	No
Connector & Contact Terminates To	Printed Circuit Board

Configuration Features

Number of Positions	6
PCB Mount Orientation	Horizontal
Number of Rows	1

Body Features

Primary Product Color	Black
-----------------------	-------

Contact Features



Contact Size	1mm
Contact Type	Tab
Mating Tab Width	1 mm[.039 in]
Mating Tab Thickness	.64 mm[.025 in]
Contact Mating Area Plating Material	Tin (Sn)
Contact Current Rating (Max)	1 A

Termination Features

Termination Method to Printed Circuit Board	Through Hole - Solder
---	-----------------------

Mechanical Attachment

Mating Alignment	With
Connector Mounting Type	Board Mount

Housing Features

Centerline (Pitch)	2.5 mm[.098 in]
--------------------	-----------------

Usage Conditions

Operating Temperature Range	-30 – 105 °C[-22 – 221 °F]
-----------------------------	----------------------------

Operation/Application

Shielded	No
Circuit Application	Signal

Packaging Features

Packaging Type	Tray
Packaging Quantity	200

Other

Interface Number	87-25363-200
------------------	--------------

Product Compliance

[For compliance documentation, visit the product page on TE.com>](#)

EU RoHS Directive 2011/65/EU	Compliant
EU ELV Directive 2000/53/EC	Compliant
China RoHS 2 Directive MIIT Order No 32, 2016	No Restricted Materials Above Threshold
EU REACH Regulation (EC) No. 1907/2006	Current ECHA Candidate List: JUNE 2022 (224) Candidate List Declared Against: JAN 2020 (205)



SVHC > Threshold:
Not Yet Reviewed

Halogen Content

Low Halogen - Br, Cl, F, I < 900 ppm per homogenous material. Also BFR/CFR/PVC Free

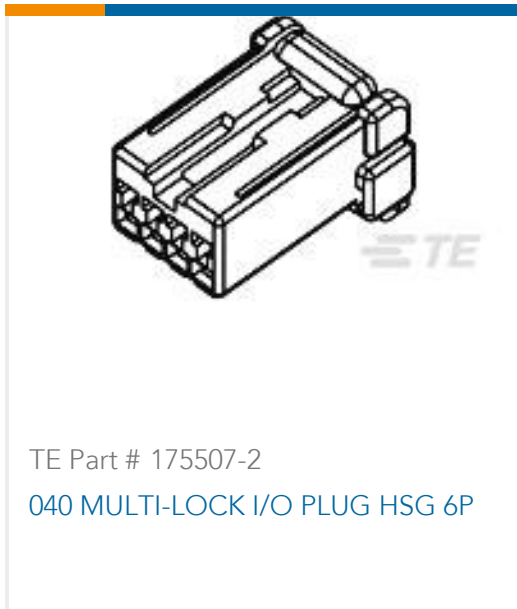
Solder Process Capability

Not lead free process capable

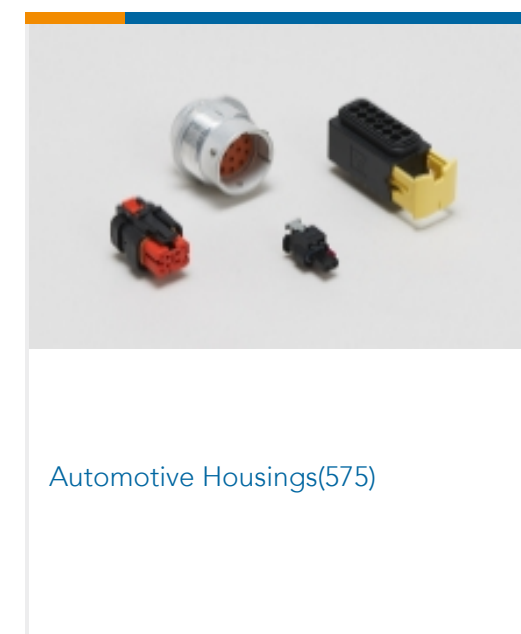
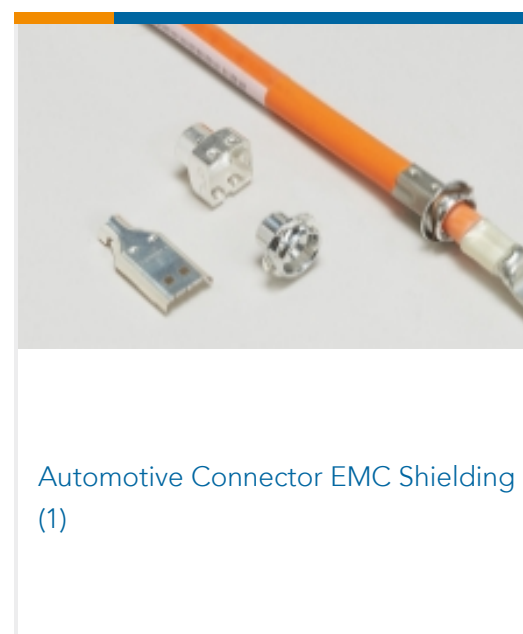
Product Compliance Disclaimer

This information is provided based on reasonable inquiry of our suppliers and represents our current actual knowledge based on the information they provided. This information is subject to change. The part numbers that TE has identified as EU RoHS compliant have a maximum concentration of 0.1% by weight in homogenous materials for lead, hexavalent chromium, mercury, PBB, PBDE, DBP, BBP, DEHP, DIBP, and 0.01% for cadmium, or qualify for an exemption to these limits as defined in the Annexes of Directive 2011/65/EU (RoHS2). Finished electrical and electronic equipment products will be CE marked as required by Directive 2011/65/EU. Components may not be CE marked. Additionally, the part numbers that TE has identified as EU ELV compliant have a maximum concentration of 0.1% by weight in homogenous materials for lead, hexavalent chromium, and mercury, and 0.01% for cadmium, or qualify for an exemption to these limits as defined in the Annexes of Directive 2000/53/EC (ELV). Regarding the REACH Regulation, the information TE provides on SVHC in articles for this part number is based on the latest European Chemicals Agency (ECHA) 'Guidance on requirements for substances in articles' posted at this URL: <https://echa.europa.eu/guidance-documents/guidance-on-reach>

Compatible Parts



Also in the Series | Multilock Connector System





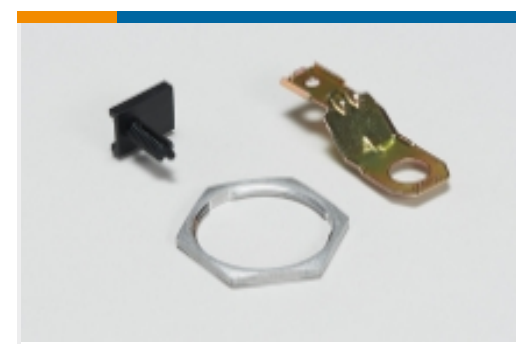
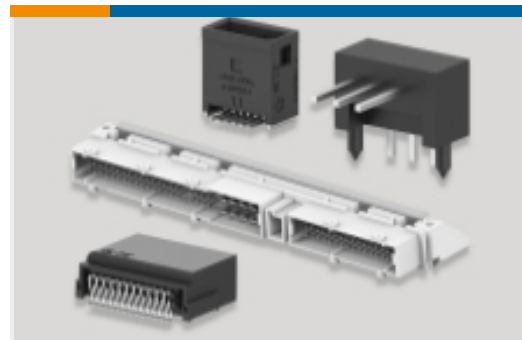
Automotive Seals & Cavity Plugs(2)



Automotive Terminals(141)



Insertion & Extraction Tools(6)

Other Automotive Connector
Accessories(9)

PCB Headers & Receptacles(129)

Customers Also Bought

TE Part #1565476-1
SIGNAL HEADERTE Part #1-87227-0
20 MODII HDR DRST UNSHRD .100TE Part #2-292174-4
CT BOX HDR V SMT 4P O/TAPE BLATE Part #1-776261-2
14 POS AMPSEAL VERTICAL HDRTE Part #1-1623720-0
CCR2 47R 10%TE Part #2-1379700-2
4W TH HEADER ASSY GREY

Documents

[CAD Files](#)

[3D PDF](#)

[3D](#)

[Customer View Model](#)

[ENG_CVM_CVM_175506-2_B.2d_dxf.zip](#)

English

[Customer View Model](#)

[ENG_CVM_CVM_175506-2_B.3d_igs.zip](#)



English

Customer View Model

[ENG_CVM_CVM_175506-2_B.3d_stp.zip](#)

English

3D PDF

English

Customer View Model

[ENG_CVM_175506-2_A.2d_dxf.zip](#)

English

Customer View Model

[ENG_CVM_175506-2_A.3d_igs.zip](#)

English

Customer View Model

[ENG_CVM_175506-2_A.3d_stp.zip](#)

English

By downloading the CAD file I accept and agree to the [Terms and Conditions](#) of use.

Product Specifications

Product Specification

Japanese

Product Specification

English

[.040 SERIES MULTI LOCK I/O CONNECTOR \(NON INERTIA TYPE\)](#)

English

[.040 SERIES MULTI LOCK I/O CONNECTOR \(NON INERTIA TYPE\)](#)

Japanese

Product Specification

Japanese

Instruction Sheets

Instruction Sheet (non U.S.)

English

[040 SERIES MULTI-LOCK CONNECTOR](#)

English