



Connectors > Circular Connectors > Circular Connector Accessories > Unscreened Circular Connector Backshells & Clamps >

CPC CABLE CLAMPS EMEA



Backshell & Clamp Accessory Type: **Cable Clamp**

Compatible With Circular Connector Shell Size: **11**

Body Orientation: **Straight**

Accepts Cable Diameter (Max): **11.5 mm [.453 in]**

Protective Cover: **Without**

[All CPC CABLE CLAMPS EMEA \(2\)](#)

Features

Product Type Features

Product Type	Accessory
Backshell & Clamp Accessory Type	Cable Clamp
Protective Cover	Without

Body Features

Cable Clamp Material	Thermoplastic
Cable Clamp Flammability Rating	UL 94V-1
Cable Clamp Color	Black

Mechanical Attachment

Screw & Hole Thread Size	5/8-24 UNEF-2B
--------------------------	----------------

Housing Features

Body Orientation	Straight
------------------	----------

Dimensions

Accepts Cable Diameter (Max)	11.5 mm [.453 in]
------------------------------	-------------------

Operation/Application

Compatible With Circular Connector Shell Size	11
---	----



Packaging Features

Packaging Quantity	100
Packaging Method	Individual

Other

Comment	UV Resistant
---------	--------------

Product Compliance

[For compliance documentation, visit the product page on TE.com>](#)

EU RoHS Directive 2011/65/EU	Compliant
EU ELV Directive 2000/53/EC	Compliant
China RoHS 2 Directive MIIT Order No 32, 2016	No Restricted Materials Above Threshold
EU REACH Regulation (EC) No. 1907/2006	Current ECHA Candidate List: JUNE 2022 (224) Candidate List Declared Against: JAN 2021 (211) SVHC > Threshold: Not Yet Reviewed
Halogen Content	Low Halogen - Br, Cl, F, I < 900 ppm per homogenous material. Also BFR/CFR/PVC Free
Solder Process Capability	Not applicable for solder process capability

Product Compliance Disclaimer

This information is provided based on reasonable inquiry of our suppliers and represents our current actual knowledge based on the information they provided. This information is subject to change. The part numbers that TE has identified as EU RoHS compliant have a maximum concentration of 0.1% by weight in homogenous materials for lead, hexavalent chromium, mercury, PBB, PBDE, DBP, BBP, DEHP, DIBP, and 0.01% for cadmium, or qualify for an exemption to these limits as defined in the Annexes of Directive 2011/65/EU (RoHS2). Finished electrical and electronic equipment products will be CE marked as required by Directive 2011/65/EU. Components may not be CE marked. Additionally, the part numbers that TE has identified as EU ELV compliant have a maximum concentration of 0.1% by weight in homogenous materials for lead, hexavalent chromium, and mercury, and 0.01% for cadmium, or qualify for an exemption to these limits as defined in the Annexes of Directive 2000/53/EC (ELV). Regarding the REACH Regulation, the information TE provides on SVHC in articles for this part number is based on the latest European Chemicals Agency (ECHA) 'Guidance on requirements for substances in articles' posted at this URL: <https://echa.europa.eu/guidance-documents/guidance-on-reach>

Compatible Parts



TE Part # 182917-1
CPC SQ.FL.RCPT STD SEX

Also in the Series | AMP CPC



Circular Connector Adapters(7)



Circular Connector Boots & Strain Relief(6)



Circular Connector Caps & Covers(16)



Circular Connector Hardware(3)



Circular Connector Keying Plugs(2)



Circular Connector Seals(36)



Circular Power Connectors(516)



Insertion & Extraction Tools(1)



Power Contacts(6)



Sealing Sleeves(2)

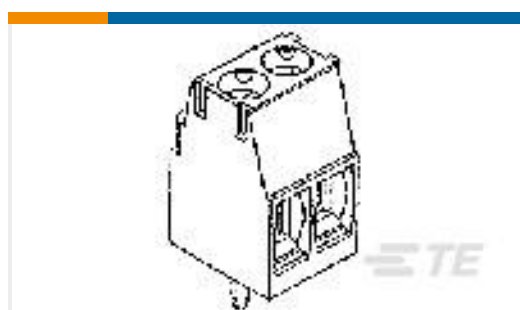


Unscreened Circular Connector Backshells & Clamps(56)

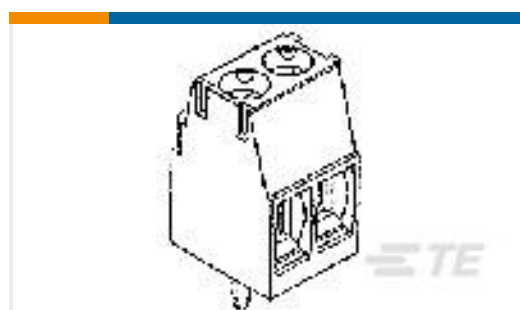
Customers Also Bought



TE Part #183040-1
CPC SQ.FL.RCPT STD SEX SIZE



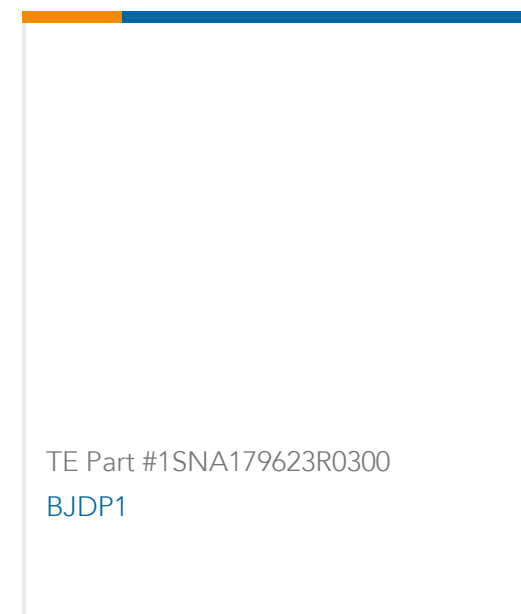
TE Part #284391-4
TERMI-BLOK PCB SIDE ENTRY STAC



TE Part #284391-5
TERMI-BLOK PCB SIDE ENTRY STAC



TE Part #1623927-1
CFR16 5% 100K



Documents

Product Drawings

CPC Cable Clamp Kit, Size 11, Large, UV

English

CAD Files

3D PDF

3D

Customer View Model

[ENG_CVM_CVM_182928-1_B.2d_dxf.zip](#)

English

Customer View Model

[ENG_CVM_CVM_182928-1_B.3d_igs.zip](#)

English

Customer View Model

[ENG_CVM_CVM_182928-1_B.3d_stp.zip](#)

English

By downloading the CAD file I accept and agree to the [Terms and Conditions](#) of use.

Instruction Sheets

[Instruction Sheet \(U.S.\)](#)

English