

1776244-6 ✓ ACTIVE

Buchanan

TE Internal #: 1776244-6

PCB Terminal Blocks, Header, Wire-to-Board, 6 Position, .197 in [5 mm] Centerline, 1 Row, Side Wire Entry Angle, 22 – 14 AWG Wire Size

[View on TE.com >](#)



Connectors > Terminal Blocks & Strips > PCB Terminal Blocks



Terminal Block Connector Type: **Header**

Connector System: **Wire-to-Board**

Number of Positions: **6**

Centerline (Pitch): **5 mm [.197 in]**

Number of Rows: **1**

Features

Product Type Features

| | |
|-----------------------------------|-----------------------|
| Profile | Low |
| Wire Protection | With |
| Block Type | PCB Mount |
| Terminal Block Connector Type | Header |
| Connector System | Wire-to-Board |
| Connector & Contact Terminates To | Printed Circuit Board |

Configuration Features

| | |
|------------------------|----------------|
| Stacked Levels | Without |
| Closed End | Without |
| Stacking Configuration | Side Stackable |
| Number of Positions | 6 |
| Number of Rows | 1 |
| Wire Entry Angle | Side |

Electrical Characteristics



| | |
|----------------------|------|
| Current Rating (Max) | 10 A |
|----------------------|------|

| | |
|----------------|---------|
| Voltage Rating | 300 VAC |
|----------------|---------|

Body Features

| | |
|-----------|------|
| Interlock | With |
|-----------|------|

Contact Features

| | |
|--------------------------------------|-----|
| Contact Mating Area Plating Material | Tin |
|--------------------------------------|-----|

| | |
|---------------|--------------|
| Contact Mount | Through Hole |
|---------------|--------------|

| | |
|-----------------------|-------|
| Contact Base Material | Brass |
|-----------------------|-------|

| | |
|------------------------------|------|
| Contact Current Rating (Max) | 10 A |
|------------------------------|------|

Mechanical Attachment

| | |
|--------------------------|----|
| Screwless Terminal Block | No |
|--------------------------|----|

| | |
|----------------|----------|
| Mounting Angle | Vertical |
|----------------|----------|

| | |
|------------------------|---------------|
| Screw Plating Material | Zinc Chromate |
|------------------------|---------------|

| | |
|----------------|-------|
| Screw Material | Steel |
|----------------|-------|

| | |
|--------------|---------|
| Screw Flange | Without |
|--------------|---------|

| | |
|-------------------------|-------------|
| Connector Mounting Type | Board Mount |
|-------------------------|-------------|

Housing Features

| | |
|---------------|------|
| Housing Color | Blue |
|---------------|------|

| | |
|------------------|-----------|
| Housing Material | NY - FR15 |
|------------------|-----------|

| | |
|--------------------|----------------|
| Centerline (Pitch) | 5 mm [.197 in] |
|--------------------|----------------|

Dimensions

| | |
|-----------------|------------------|
| PCB Tail Length | 3.5 mm [.138 in] |
|-----------------|------------------|

| | |
|-----------|------------------------|
| Wire Size | .3 – 2 mm ² |
|-----------|------------------------|

Usage Conditions

| | |
|-----------------------------|-----------------------------|
| Operating Temperature Range | -55 – 105 °C [-67 – 221 °F] |
|-----------------------------|-----------------------------|

Operation/Application

| | |
|---------------------|----------------|
| Circuit Application | Power & Signal |
|---------------------|----------------|

Packaging Features

| | |
|--------------------|-----|
| Packaging Quantity | 300 |
|--------------------|-----|

Other

| | |
|---------|----------------------|
| Comment | With wire protector. |
|---------|----------------------|



Product Compliance

[For compliance documentation, visit the product page on TE.com>](#)

| | |
|---|---|
| EU RoHS Directive 2011/65/EU | Compliant with Exemptions |
| EU ELV Directive 2000/53/EC | Compliant with Exemptions |
| China RoHS 2 Directive MIIT Order No 32, 2016 | Restricted Materials Above Threshold |
| EU REACH Regulation (EC) No. 1907/2006 | <p>Current ECHA Candidate List: JUNE 2022 (224)</p> <p>Candidate List Declared Against: JAN 2021 (211)</p> <p>SVHC > Threshold: Pb (.9% in component)</p> <p>Article Safe Usage Statements: Do not eat, drink or smoke when using this product. Wash thoroughly after handling. Recycle if possible and dispose of the article by following all applicable governmental regulations relevant to your geographic location.</p> |
| Halogen Content | Not Yet Reviewed for halogen content |
| Solder Process Capability | Wave solder capable to 265°C |

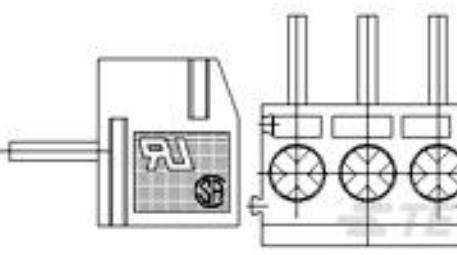
Product Compliance Disclaimer

This information is provided based on reasonable inquiry of our suppliers and represents our current actual knowledge based on the information they provided. This information is subject to change. The part numbers that TE has identified as EU RoHS compliant have a maximum concentration of 0.1% by weight in homogenous materials for lead, hexavalent chromium, mercury, PBB, PBDE, DBP, BBP, DEHP, DIBP, and 0.01% for cadmium, or qualify for an exemption to these limits as defined in the Annexes of Directive 2011/65/EU (RoHS2). Finished electrical and electronic equipment products will be CE marked as required by Directive 2011/65/EU. Components may not be CE marked. Additionally, the part numbers that TE has identified as EU ELV compliant have a maximum concentration of 0.1% by weight in homogenous materials for lead, hexavalent chromium, and mercury, and 0.01% for cadmium, or qualify for an exemption to these limits as defined in the Annexes of Directive 2000/53/EC (ELV). Regarding the REACH Regulation, the information TE provides on SVHC in articles for this part number is based on the latest European Chemicals Agency (ECHA) 'Guidance on requirements for substances in articles' posted at this URL: <https://echa.europa.eu/guidance-documents/guidance-on-reach>

Compatible Parts



TE Part # 1776263-6
Term Blk, 90 degree, stacking

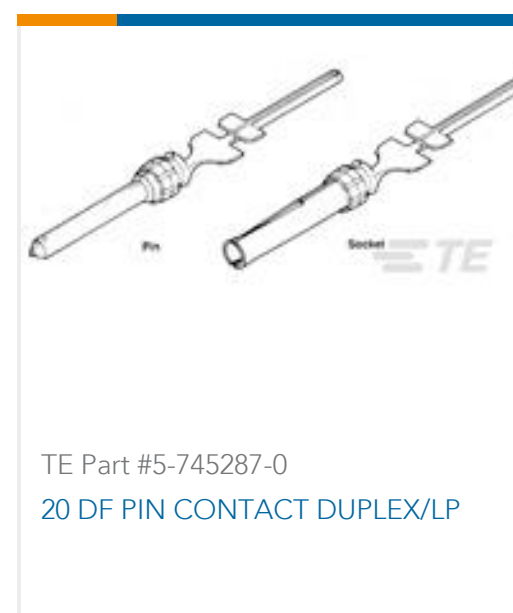
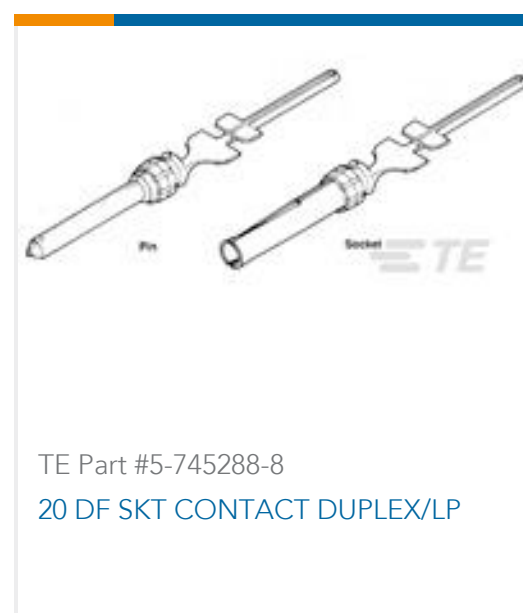


TE Part # 1776253-6
R/A Top Wire Entry, 3.5mm, HT,



TE Part # 1776266-6
Vert Side Wire Entry, 5.0mm, G

Customers Also Bought



Documents

CAD Files

3D PDF

3D

Customer View Model

[ENG_CVM_CVM_1776244-6_A.2d_dxf.zip](#)

English

Customer View Model

[ENG_CVM_CVM_1776244-6_A.3d_igs.zip](#)

English

Customer View Model

[ENG_CVM_CVM_1776244-6_A.3d_stp.zip](#)

English

By downloading the CAD file I accept and agree to the [Terms and Conditions](#) of use.

Datasheets & Catalog Pages

[BUCHANAN TERMINAL BLOCKS CATALOG - EUROSTYLE TERMINAL BLOCKS](#)

English

[1-1773458-1_EURO_STYLE_TERMINAL_BLOCKS_ORG](#)

English

1776244-6

PCB Terminal Blocks, Header, Wire-to-Board, 6 Position, .197 in [5 mm] Centerline, 1 Row, Side Wire Entry Angle, 22 – 14 AWG Wire Size

