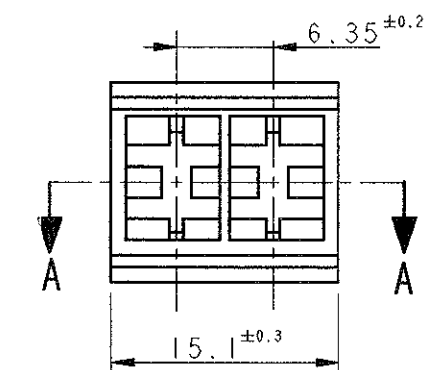
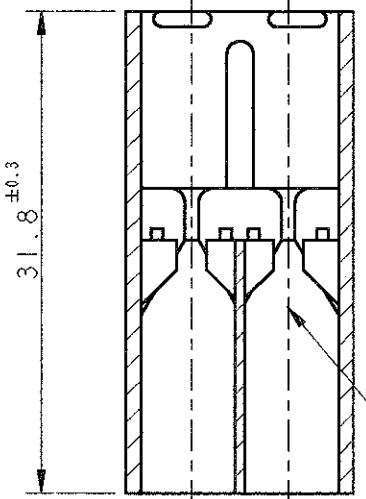


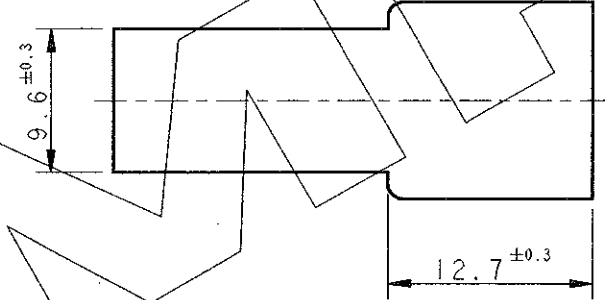
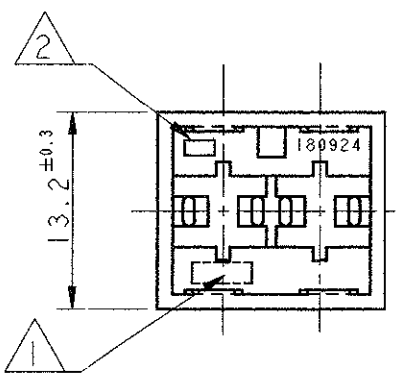
LOC	DIST	REVISIONS REVISIONI			
P	LTR REV	DESCRIPTION DESCRIZIONE	DATE DATA	DWN DIS.	APVD APP.
	AM4	REVISED AND REDRAWN ET00-0316-00	08-01-01	M. B.	R. M.



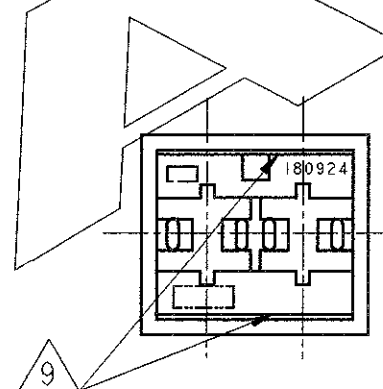
SEZIONE A-A
SECTION A-A



TIPICA CAVITA' PER TERMINALE AMP FASTIN-FASTON SR. 6.35mm.
 (TYPICAL CAVITY FOR AMP CONTACT FASTIN-FASTON .250" SRS.)



ALTERNATIVE VIEW FOR TYCO ELECTRONICS AMP SPAIN PRODUCTION ONLY



- 1 MARCHIO DI FABBRICA AMP (AMP TRADE MARK)
- 2 NUMERO DI IMPRONTA STAMPO (MOULD CAVITY IDENTIFICATION NO.)
- 3 RISERVATO PER AMP JAPAN (RESTRICTED FOR AMP JAPAN)
- 4 NON DISPONIBILE DA AMP ITALIA (NO MORE AVAILABLE FROM AMP ITALY)
- 5 P/N DI ESCLUSIVA PRODUZIONE STRANIERA (FOR FOREIGN PRODUCTION ONLY)
- 6 **OBSOLETE**
- 7 RISERVATO PER AMP DE FRANCE (RESTRICTED FOR AMP DE FRANCE)
- 8 P/Ns 180924-01-11-5/2...-0: DISPONIBILE DA AMP GB VERSIONE CON CAVITA' ASIMMETRICHE RISPETTIVAMENTE CON I P/Ns 1337024-11-21-31-4. (P/Ns 180924-01-11-5/2...-0: ASYMMETRIC CAVITIES VERSION AVAILABLE FROM AMP GB RESPECTIVELY WITH P/Ns 1337024-11-21-31-4).
- 9 ACCEPTED ONE RETENTION RIB FOR THE TOTAL LENGTH OF THE HOUSING ON BOTH SIDES.

NOTE	COLORE (COLOUR)	MATERIALE (MATERIAL)	REV.	NUMERO (PART NUMBER)
3	NATURALE (NATURAL)	PA 6.6 (VERGINE) (PA 6.6 (VIRGIN))	AM	9-180924-0
9 5 4	NATURALE (NATURAL)	PA 6.6 UL94-V0 (PA 6.6 UNFILLED UL94-V0)	AM	4-180924-0
7	NATURALE (NATURAL)	PA 6.6 (PA 6.6 UNFILLED)	AM	3-180924-0
8 6	NATURALE (NATURAL)	PA 6.6 ZYTEL 103HSL	AM	2-180924-0
6	NATURALE (NATURAL)	POLIPROPILENE (POLYPROPYLENE)	AM	1-180924-0
6	ARANCIO (ORANGE)	PA 6.6 (PA 6.6 UNFILLED)	AM	180924-9
5 4	VIOLETTO (VIOLET)		AM	180924-8
6	GRIGIO (GRAY)		AM	180924-7
5 4	MARRONE (BROWN)		AM	180924-6
8	NERO (BLACK)		AM	180924-5
5 4	GIALLO (YELLOW)		AM	180924-4
6	BLU (BLUE)		AM	180924-3
6	VERDE (GREEN)		AK	180924-2
8	ROSSO (RED)		AM	180924-1
8	NATURALE (NATURAL)		AM	180924-0

THIS DRAWING IS A CONTROLLED DOCUMENT FOR AMP INCORPORATED. IT IS SUBJECT TO CHANGE AND THE CONTROLLING ENGINEERING ORGANIZATION SHOULD BE CONTACTED FOR THE LATEST REVISION. QUESTO DISEGNO E' UN DOCUMENTO DI PROPRIETA' E RESPONSABILITA' DELL'AMP INCORPORATED SOGGETTO A VARIAZIONI. PER OTTENERE L'ULTIMA REVISIONE DEL DISEGNO CONTATTARE L'UFFICIO TECNICO RESPONSABILE.		DWN/DIS. 22JUN98 F. BORIN CHK/CONT. 22JUN98 C. TARTARI APVD/APP. - NAME NONE	AMP AMP Italia S.p.A. Collegno, C.so F.lli Cervi 15
DIMENSIONS: DIMENSIONI: mm 	TOLERANCES UNLESS OTHERWISE SPECIFIED: TOLLERANZE: SE NON DIVERSAMENTE SPECIFICATO 0 PLC/DEC ± 1 PLC/DEC ± 2 PLC/DEC ± 3 PLC/DEC ± 4 PLC/DEC ± ANGLES/ANGOLI ±	PRODUCT SPEC SPEC DI PRODOTTO 108-20020 APPLICATION SPEC SPEC DI APPLICAZIONE - WEIGHT PESO -	FASTIN-FASTON™ CONNECTOR, .250" SRS. TAB HOUSING, 2 POS. SIZE A3 CAGE CODE 00779 DRAWING NO. C-180924
MATERIAL MATERIALE SEE TABLE	FINISH FINITURA -	CUSTOMER DRAWING DISEGNO PER CLIENTE SOLO PER RIFERIMENTO	SCALE SCALA 2:1 SHEET FOGLIO OF DI REV AM4