

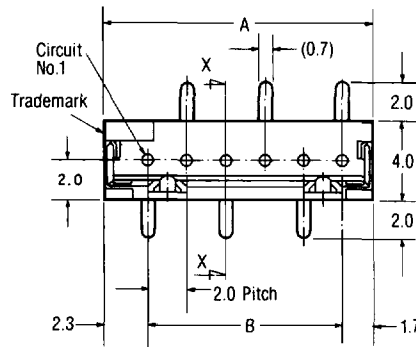
Post Header Assemblies (For MT and Crimp Type)

**Standard Type SMT
Post Header Assemblies
(PC Board
Application Side)
Vertical Mount Type
(With or Without
Mounting Bosses)**

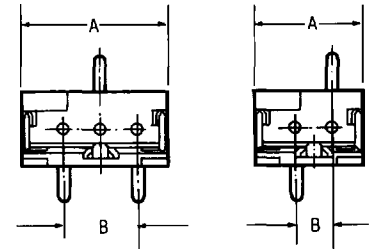
Material and Finish:

Housing—UL94V-0 rated,
glass-filled PPS, see note
below for color

Post Contact—Pre-tin lead
brass



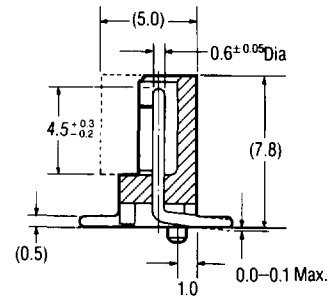
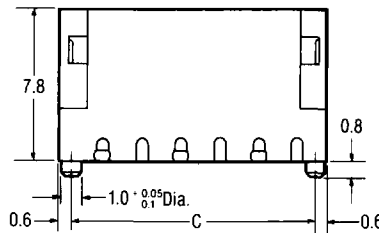
4-9 Positions



3 Position

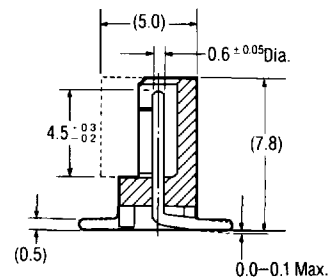
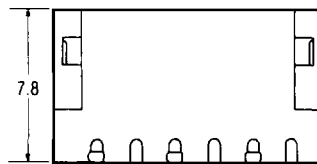
2 Position

With Mounting Bosses

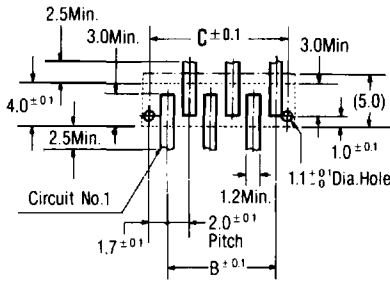


Section X-X

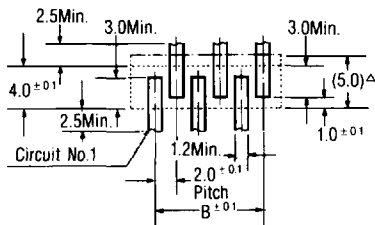
Without Mounting Bosses



Section X-X



PC Board Layout
(with mounting bosses)



PC Board Layout
(without mounting bosses)

| No. of Pos. | Dimensions | | | Part Number of Post Header Assembly/Stick Packed* | | ea. |
|-------------|------------|------|------|---|-------------------------|-----|
| | A | B | C | With Mounting Bosses | Without Mounting Bosses | |
| 2 | 6.0 | 2.0 | 4.8 | 176125-2 | 177622-2 | 80 |
| 3 | 8.0 | 4.0 | 6.8 | 176125-3 | 177622-3 | 60 |
| 4 | 10.0 | 6.0 | 8.8 | 176125-4 | 177622-4 | 45 |
| 5 | 12.0 | 8.0 | 10.8 | 176125-5 | 177622-5 | 40 |
| 6 | 14.0 | 10.0 | 12.8 | 176125-6 | 177622-6 | 30 |
| 7 | 16.0 | 12.0 | 14.8 | 176125-7 | 177622-7 | 30 |
| 8 | 18.0 | 14.0 | 16.8 | 176125-8 | 177622-8 | 25 |
| 9 | 20.0 | 16.0 | 18.8 | 176125-9 | 177622-9 | 20 |

*The color of housing is black. Other colors available include natural.
For details contact our Sales Department.

Post Header Assemblies (For MT and Crimp Type) (Continued)

Box Type SMT Vertical Mount Type With Mounting Bosses

Material and Finish:

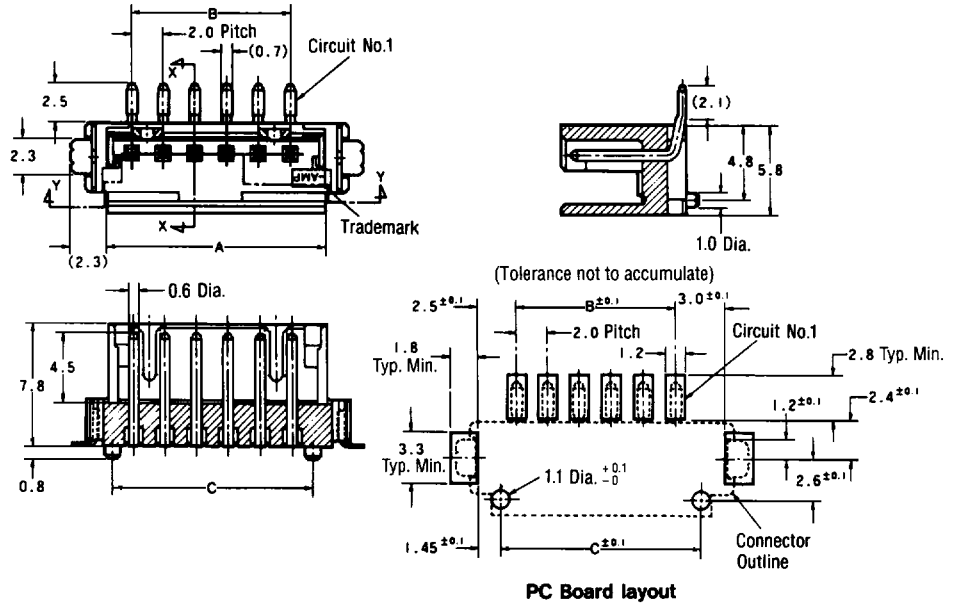
Housing—UL94V-0 rated,
glass-filled PPS, natural
color

Contact—Tin-lead plated
brass

Plate—Brass, tin-plated

Product Specification:

108-5218



| No. of Pos. | Dimensions | | | Part Number of Post Header Assembly with Embossed Tape | ea. |
|-------------|------------|------|------|--|-----|
| | A | B | C | | |
| 4 | 10.0 | 6.0 | 8.6 | 316168-4 | 700 |
| 6 | 14.0 | 10.0 | 12.6 | 316168-6 | 700 |