

179322-2 ✓ ACTIVE

TE Internal #: 179322-2

Connector Contact, Pin / Tab, Wire-to-Wire, .472 in [12 mm]

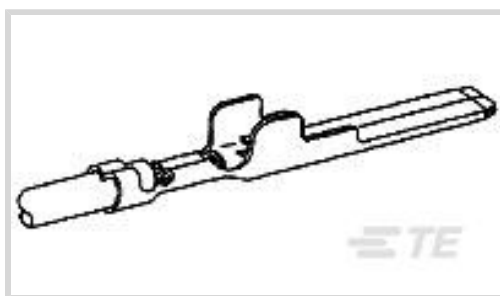
Centerline, 24 – 20 AWG Wire Size, 394.71 – 986.76 CMA Wire Size, .

2 – .5 mm² Wire Size

[View on TE.com >](#)



Connectors > PCB Connectors > Wire-to-Board Connectors > Wire-to-Board Connector Contacts



Contact Type: **Pin, Tab**

Connector System: **Wire-to-Wire**

Centerline (Pitch): **12 mm [.472 in]**

Wire Size: **394.71 – 986.76 CMA**

Features

Product Type Features

Connector System	Wire-to-Wire
Sealable	No
Connector & Contact Terminates To	Wire & Cable

Electrical Characteristics

Operating Voltage	30 VAC
-------------------	--------

Contact Features

Mating Tab Width	3 mm[.118 in]
Mating Tab Thickness	.65 mm[.025 in]
Contact Underplating Material Thickness	.8 μm[31.5 μin]
	100 μin
Wire Contact Termination Area Plating Material	Tin
Contact Mating Area Plating Material Thickness	.38 μm[15 μin]
Contact Length	29.2 mm[1.15 in]
Contact Underplating Material	Nickel
Contact Base Material	Copper Alloy
Contact Type	Pin, Tab
Contact Mating Area Plating Material	Gold
Contact Current Rating (Max)	7 A

Termination Features

--	--



Termination Method to Wire & Cable	Crimp
------------------------------------	-------

Mechanical Attachment

Connector Mounting Type	Cable Mount (Free-Hanging)
-------------------------	----------------------------

Housing Features

Centerline (Pitch)	12 mm [.472 in]
--------------------	-----------------

Dimensions

Accepts Wire Insulation Diameter Range	1.4 – 2.6 mm [.055 – .102 in]
--	-------------------------------

Wire Size	.2 – .5 mm ²
-----------	-------------------------

Usage Conditions

Operating Temperature Range	-30 – 105 °C [-22 – 221 °F]
-----------------------------	-----------------------------

Operation/Application

Compatible With Wire Base Material	Copper
------------------------------------	--------

Circuit Application	Power & Signal
---------------------	----------------

Packaging Features

Packaging Quantity	4500
--------------------	------

Packaging Method	Reel
------------------	------

Other

Comment	Housing PN: X-179325-X, X-179318-X, X-179388-X
---------	--

Product Compliance

[For compliance documentation, visit the product page on TE.com>](#)

EU RoHS Directive 2011/65/EU	Not Compliant
------------------------------	---------------

EU ELV Directive 2000/53/EC	Not Compliant
-----------------------------	---------------

China RoHS 2 Directive MIIT Order No 32, 2016	Restricted Materials Above Threshold
---	--------------------------------------

EU REACH Regulation (EC) No. 1907/2006	Current ECHA Candidate List: JUNE 2022 (224) Not Yet Reviewed
--	--

Halogen Content	Low Halogen - Br, Cl, F, I < 900 ppm per homogenous material. Also BFR/CFR/PVC Free
-----------------	---

Solder Process Capability	Not applicable for solder process capability
---------------------------	--

Product Compliance Disclaimer

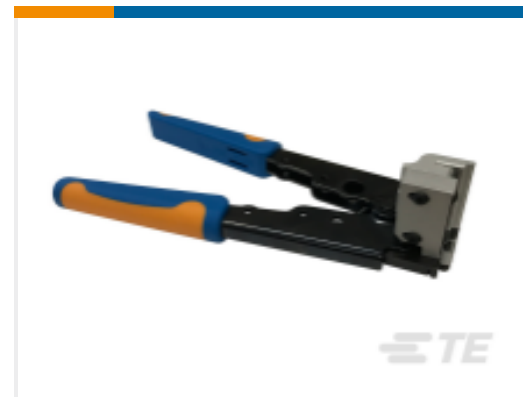


This information is provided based on reasonable inquiry of our suppliers and represents our current actual knowledge based on the information they provided. This information is subject to change. The part numbers that TE has identified as EU RoHS compliant have a maximum concentration of 0.1% by weight in homogenous materials for lead, hexavalent chromium, mercury, PBB, PBDE, DBP, BBP, DEHP, DIBP, and 0.01% for cadmium, or qualify for an exemption to these limits as defined in the Annexes of Directive 2011/65/EU (RoHS2). Finished electrical and electronic equipment products will be CE marked as required by Directive 2011/65/EU. Components may not be CE marked. Additionally, the part numbers that TE has identified as EU ELV compliant have a maximum concentration of 0.1% by weight in homogenous materials for lead, hexavalent chromium, and mercury, and 0.01% for cadmium, or qualify for an exemption to these limits as defined in the Annexes of Directive 2000/53/EC (ELV). Regarding the REACH Regulations, TE's information on SVHC in articles for this part number is still based on the European Chemical Agency (ECHA) 'Guidance on requirements for substances in articles' (Version: 2, April 2011), applying the 0.1% weight on weight concentration threshold at the finished product level. TE is aware of the European Court of Justice ruling of September 10th, 2015 also known as O5A (Once An Article Always An Article) stating that, in case of 'complex object', the threshold for a SVHC must be applied to both the product as a whole and simultaneously to each of the articles forming part of its composition. TE has evaluated this ruling based on the new ECHA "Guidance on requirements for substances in articles" (June 2017, version 4.0) and will be updating its statements accordingly.

Compatible Parts



TE Part # CAT-AM7053-D797P
Mini CT Drawer Connector Assemblies



TE Part # 2305570-1
TERMINAL CUTTER, SIDE FEED



TE Part # 7-2151124-1
OCEAN-2.0-APPLICATOR-S-062F120F



TE Part # 7-2151124-2
OCEAN-2.0-APPLICATOR-S-062F120F



TE Part # 2-2151124-1
OCEAN-2.0-APPLICATOR-S-062F120F



TE Part # 2-2151124-2
OCEAN-2.0-APPLICATOR-S-062F120F



TE Part # 2151124-1
OCEAN-2.0-APPLICATOR-S-062F120F



TE Part # 2151124-2
OCEAN-2.0-APPLICATOR-S-062F120F

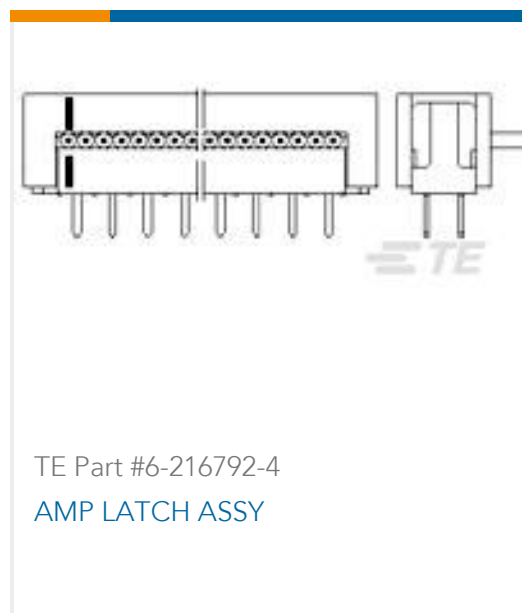
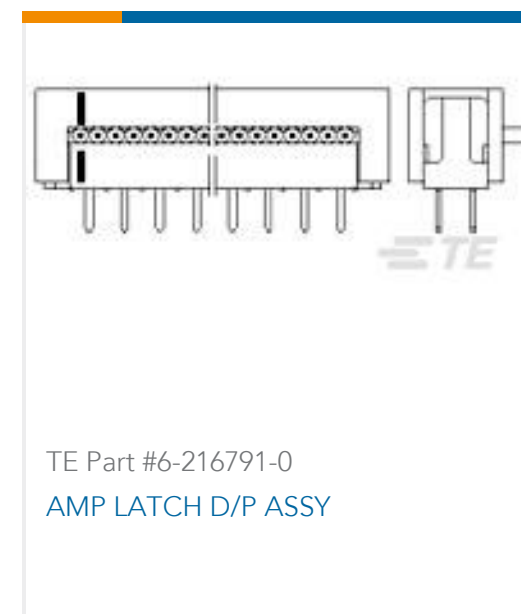
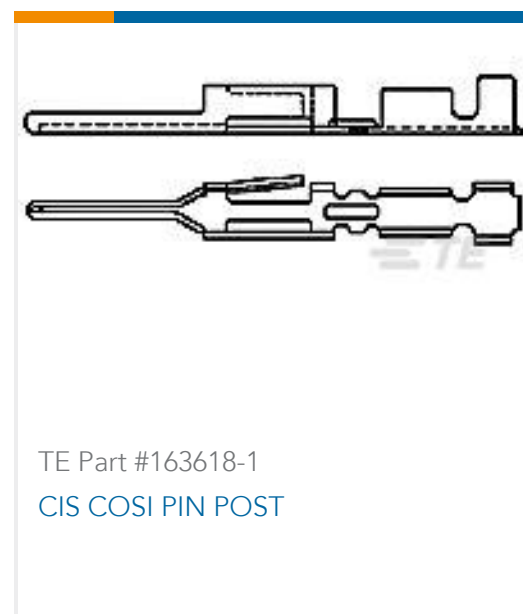


TE Part # 7-2151124-7
OC-062F120F-CRIMP TOOLING KIT



TE Part # 934199-1
DAHT HYBRID MINI DRAWER 24-20
ASSY

Customers Also Bought



Documents

Product Drawings

[HYBRID MINI DRAWER TAB CONT.](#)

English

CAD Files

[3D PDF](#)

3D

Customer View Model

[ENG_CVM_CVM_179322-2_K2.2d_dxf.zip](#)

English

Customer View Model

[ENG_CVM_CVM_179322-2_K2.3d_igs.zip](#)

English

Customer View Model

[ENG_CVM_CVM_179322-2_K2.3d_stp.zip](#)

English

By downloading the CAD file I accept and agree to the [Terms and Conditions](#) of use.

Datasheets & Catalog Pages



[POWER_CONNECTORS_CATALOG_SEC02_CABLE_MOUNTED](#)

English

[Low Power Drawer Connectors QRG](#)

English

[Product Specifications](#)

[Application Specification](#)

English

[Crimping Hybrid Mini Drawer Connector Power Line Contact](#)

English