

1897422-1 ✓ ACTIVE



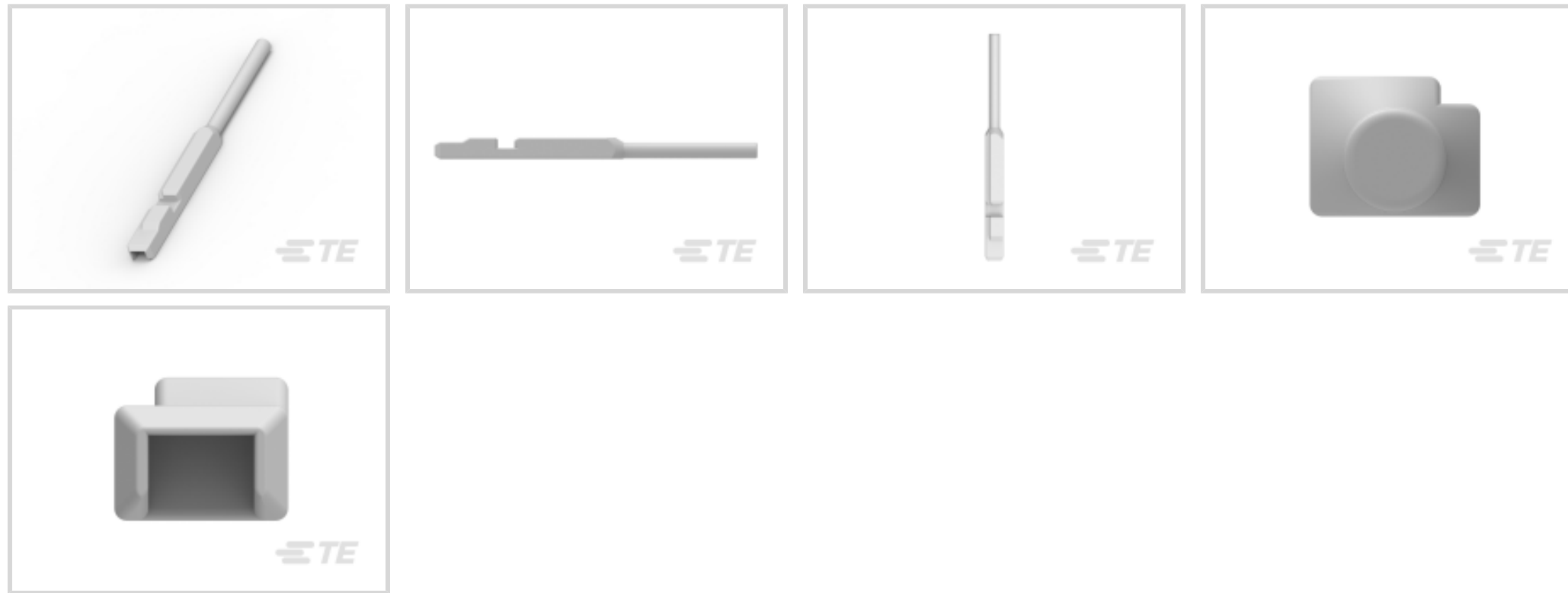
MQS

TE Internal #: 1897422-1

Other Automotive Connector Accessories, Other, Wire-to-Board,  
PA GF, Natural, -40 – 120 °C [-40 – 248 °F], MQS

[View on TE.com >](#)

Connectors > Automotive Connectors > Connector Accessories > Other Connector Accessories



Automotive Connector Accessory Type: **Other**

Connector System: **Wire-to-Board**

Primary Product Material: **PA GF**

Primary Product Color: **Natural**

Operating Temperature Range: **-40 – 120 °C [-40 – 248 °F]**

## Features

### Product Type Features

Automotive Connector Accessory Type	Other
Connector System	Wire-to-Board

### Body Features

Primary Product Material	PA GF
Primary Product Color	Natural

### Usage Conditions

Operating Temperature Range	-40 – 120 °C[-40 – 248 °F]
-----------------------------	----------------------------

### Industry Standards

UL Flammability Rating	None
------------------------	------

### Packaging Features

Packaging Quantity	5000
Packaging Method	Bag

### Other

Serviceable	Yes
-------------	-----

## Product Compliance

For compliance documentation, visit the product page on [TE.com](#)>

EU RoHS Directive 2011/65/EU	Compliant
EU ELV Directive 2000/53/EC	Compliant
China RoHS 2 Directive MIIT Order No 32, 2016	No Restricted Materials Above Threshold
EU REACH Regulation (EC) No. 1907/2006	Current ECHA Candidate List: JUNE 2022 (224) Candidate List Declared Against: JAN 2022 (223) SVHC > Threshold: Not Yet Reviewed
Halogen Content	Low Halogen - Br, Cl, F, I < 900 ppm per homogenous material. Also BFR/CFR/PVC Free
Solder Process Capability	Not applicable for solder process capability

### Product Compliance Disclaimer

This information is provided based on reasonable inquiry of our suppliers and represents our current actual knowledge based on the information they provided. This information is subject to change. The part numbers that TE has identified as EU RoHS compliant have a maximum concentration of 0.1% by weight in homogenous materials for lead, hexavalent chromium, mercury, PBB, PBDE, DBP, BBP, DEHP, DIBP, and 0.01% for cadmium, or qualify for an exemption to these limits as defined in the Annexes of Directive 2011/65/EU (RoHS2). Finished electrical and electronic equipment products will be CE marked as required by Directive 2011/65/EU. Components may not be CE marked. Additionally, the part numbers that TE has identified as EU ELV compliant have a maximum concentration of 0.1% by weight in homogenous materials for lead, hexavalent chromium, and mercury, and 0.01% for cadmium, or qualify for an exemption to these limits as defined in the Annexes of Directive 2000/53/EC (ELV). Regarding the REACH Regulation, the information TE provides on SVHC in articles for this part number is based on the latest European Chemicals Agency (ECHA) 'Guidance on requirements for substances in articles' posted at this URL: <https://echa.europa.eu/guidance-documents/guidance-on-reach>

## Compatible Parts



Also in the Series | [MQS](#)



Automotive Connector Caps & Covers (132)



Automotive Connector EMC Shielding (2)



Automotive Connector Locks & Position Assurance(29)



Automotive Housings(489)



Automotive Seals & Cavity Plugs(26)



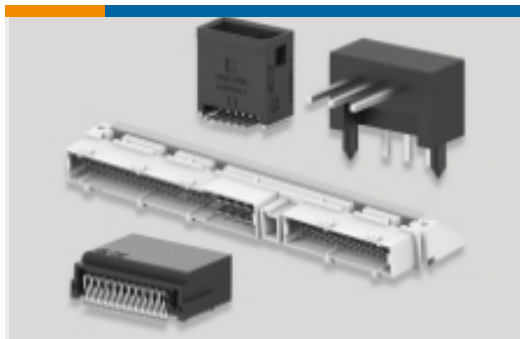
Automotive Terminals(96)



Insertion & Extraction Tools(42)



Other Automotive Connector Accessories(13)

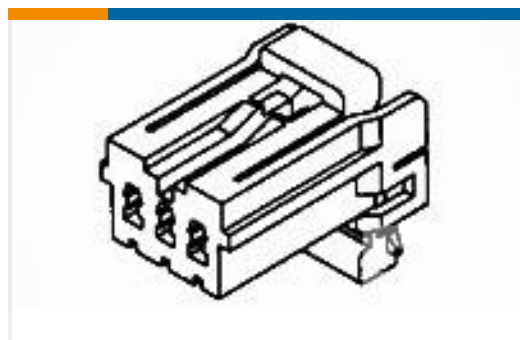


PCB Headers & Receptacles(207)

## Customers Also Bought



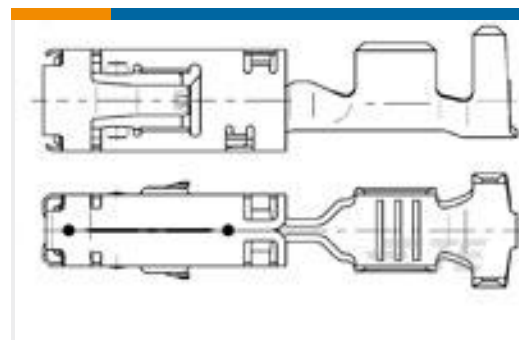
TE Part #1241608-1  
MQS1,5 Sn rec CB unseal. 0,75-1,5



TE Part #368500-1  
070 MLC PLUG HSG 3P



TE Part #1241396-1  
AMP MCP 2.8K, CONTACT, SWS



TE Part #967542-2  
SENS FLA-KONT 2,8



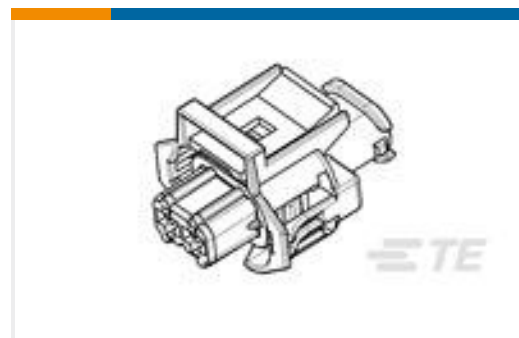
TE Part #927772-3  
JPT REC 2.8 Contact SWS Sn



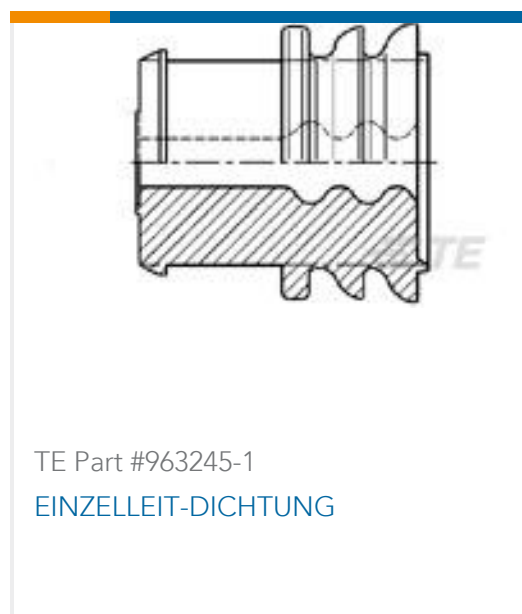
TE Part #2005154-1  
025 TAB CONTACT(S)



TE Part #2005372-3  
MT-II SLD 6P PLUG ASSY GRAY



TE Part #1-936059-1  
2.8MM SLD 2P PLUG ASSY



## Documents

### Product Drawings

#### SEALING PLUG CONTACT DUMMY(1.5mm)

English

### CAD Files

#### 3D PDF

3D

#### Customer View Model

[ENG\\_CVM\\_CVM\\_1897422-1\\_A.2d\\_dxf.zip](#)

English

#### Customer View Model

[ENG\\_CVM\\_CVM\\_1897422-1\\_A.3d\\_igs.zip](#)

English

#### Customer View Model

[ENG\\_CVM\\_CVM\\_1897422-1\\_A.3d\\_stp.zip](#)

English

By downloading the CAD file I accept and agree to the [Terms and Conditions](#) of use.

### Product Specifications

#### Product Specification

English