



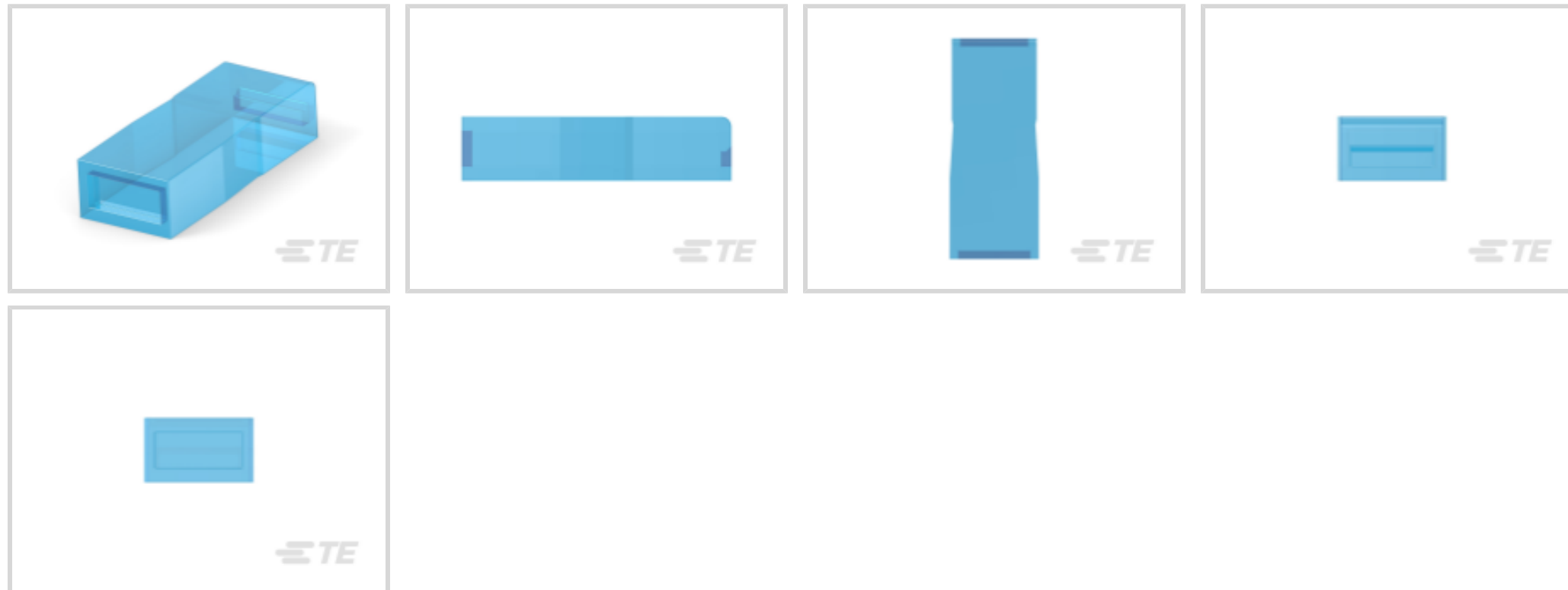
Positive Lock | Positive Lock 250

TE Internal #: 174817-1

TE Internal Description: POSITIVE LOCK 250 (6.3 MM) SLEEVE

[View on TE.com >](#)

Terminals & Splices > Terminal Housings, Insulation Sleeves & Blocks > Insulation Boots & Sleeves



Insulation Boot & Sleeve Product Type: **Insulation Sleeve**

Terminal Orientation: **Straight**

Primary Product Material: **PVC**

Primary Product Color: **Blue**

Packaging Method: **Bag**

## Features

### Product Type Features

|                                       |                   |
|---------------------------------------|-------------------|
| Insulation Boot & Sleeve Applies To   | Wire/Cable        |
| Insulated                             | Yes               |
| Insulation Boot & Sleeve Product Type | Insulation Sleeve |

### Configuration Features

|  |   |
|--|---|
| Number of Insulation Boot & Sleeve Positions | 1 |
|--|---|

### Body Features

|                          |      |
|--------------------------|------|
| Primary Product Material | PVC  |
| Primary Product Color    | Blue |

### Contact Features

|                      |          |
|----------------------|----------|
| Terminal Orientation | Straight |
|----------------------|----------|

### Housing Features

|                  |          |
|------------------|----------|
| Housing Material | Soft PVC |
|------------------|----------|

### Dimensions

|        |                |
|--------|----------------|
| Length | 26 mm[1.02 in] |
|--------|----------------|

### Usage Conditions

|                             |                            |
|-----------------------------|----------------------------|
| Operating Temperature Range | -40 – 105 °C[-40 – 221 °F] |
|-----------------------------|----------------------------|

### Industry Standards

|                        |          |
|------------------------|----------|
| UL Flammability Rating | UL 94V-0 |
|------------------------|----------|

### Packaging Features

|                    |      |
|--------------------|------|
| Packaging Quantity | 1000 |
|--------------------|------|

|                  |     |
|------------------|-----|
| Packaging Method | Bag |
|------------------|-----|

### Product Compliance

[For compliance documentation, visit the product page on TE.com>](#)

|   |  |
|---|--|
| EU RoHS Directive 2011/65/EU                  | Compliant  |
| EU ELV Directive 2000/53/EC                   | Compliant  |
| China RoHS 2 Directive MIIT Order No 32, 2016 | No Restricted Materials Above Threshold  |
| EU REACH Regulation (EC) No. 1907/2006        | Current ECHA Candidate List: JUNE 2022 (224)<br>Candidate List Declared Against: JAN 2022 (223)<br>SVHC > Threshold:<br>Not Yet Reviewed |
| Halogen Content                               | Not Low Halogen - contains Br or Cl > 900 ppm.   |
| Solder Process Capability                     | Not applicable for solder process capability   |

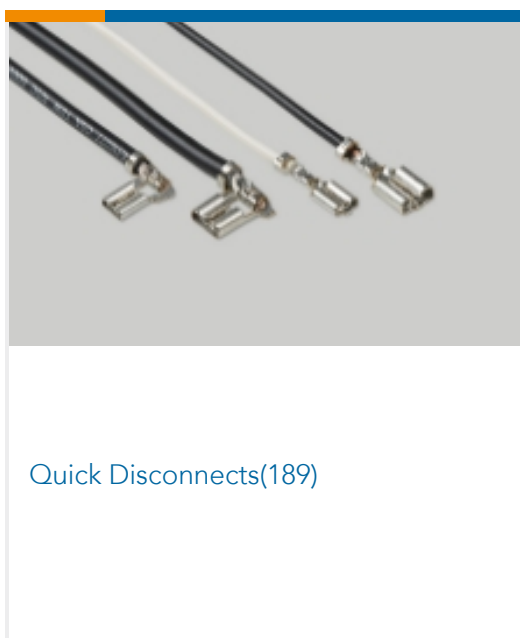
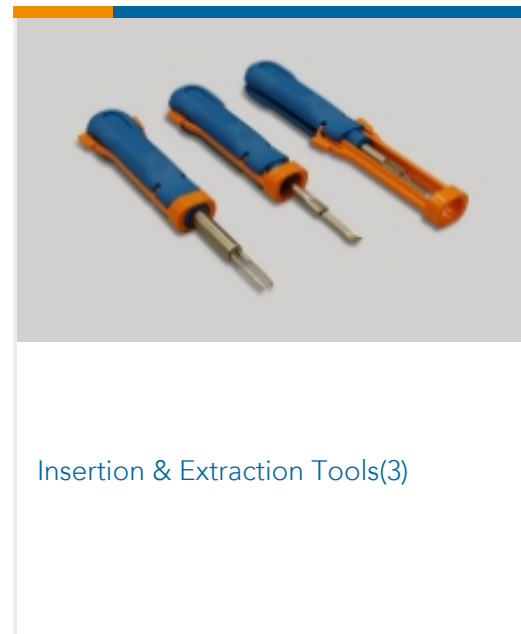
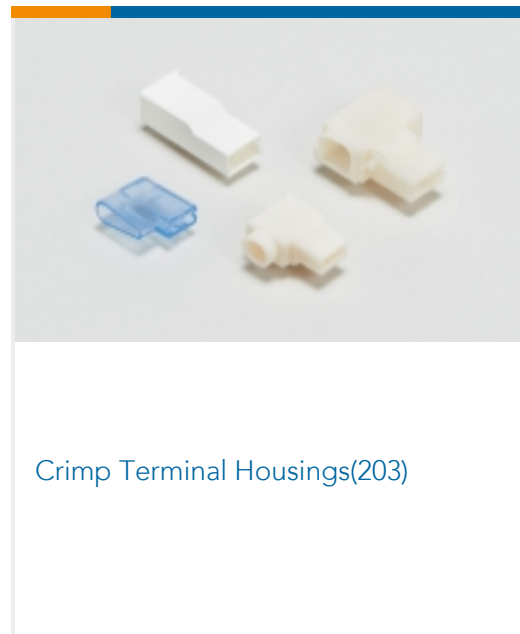
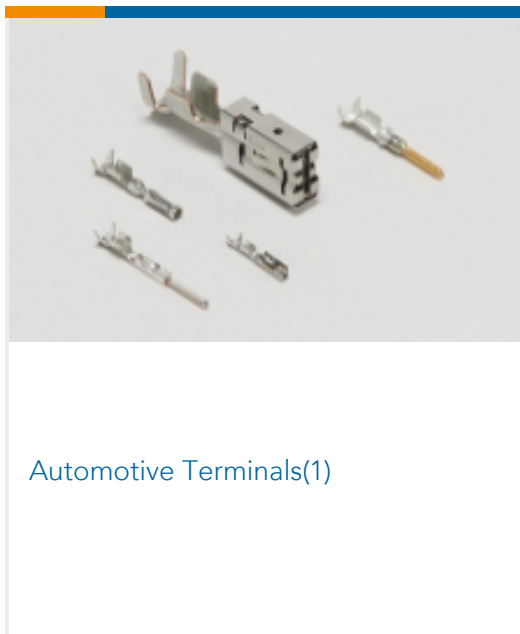
#### Product Compliance Disclaimer

This information is provided based on reasonable inquiry of our suppliers and represents our current actual knowledge based on the information they provided. This information is subject to change. The part numbers that TE has identified as EU RoHS compliant have a maximum concentration of 0.1% by weight in homogenous materials for lead, hexavalent chromium, mercury, PBB, PBDE, DBP, BBP, DEHP, DIBP, and 0.01% for cadmium, or qualify for an exemption to these limits as defined in the Annexes of Directive 2011/65/EU (RoHS2). Finished electrical and electronic equipment products will be CE marked as required by Directive 2011/65/EU. Components may not be CE marked. Additionally, the part numbers that TE has identified as EU ELV compliant have a maximum concentration of 0.1% by weight in homogenous materials for lead, hexavalent chromium, and mercury, and 0.01% for cadmium, or qualify for an exemption to these limits as defined in the Annexes of Directive 2000/53/EC (ELV). Regarding the REACH Regulation, the information TE provides on SVHC in articles for this part number is based on the latest European Chemicals Agency (ECHA) 'Guidance on requirements for substances in articles' posted at this URL: <https://echa.europa.eu/guidance-documents/guidance-on-reach>

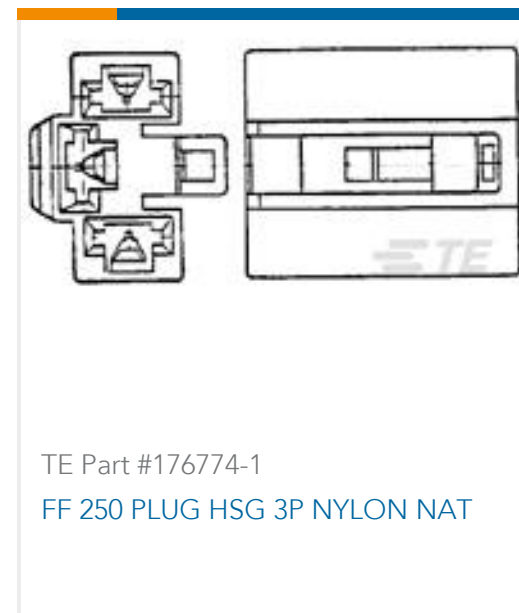
### Compatible Parts



### Also in the Series | Positive Lock 250



### Customers Also Bought





## Documents

### Product Drawings

#### POSITIVE LOCK 250 (6.3 MM) SLEEVE

English

### CAD Files

#### 3D PDF

3D

#### Customer View Model

[ENG\\_CVM\\_CVM\\_174817-1\\_O.2d\\_dxf.zip](#)

English

#### Customer View Model

[ENG\\_CVM\\_CVM\\_174817-1\\_O.3d\\_igs.zip](#)

English

#### Customer View Model

[ENG\\_CVM\\_CVM\\_174817-1\\_O.3d\\_stp.zip](#)

English

By downloading the CAD file I accept and agree to the [Terms and Conditions](#) of use.

### Product Environmental Compliance

[MD\\_174817-1\\_12182017144\\_dmtec](#)

English

### Instruction Sheets

[Instruction Sheet \(non U.S.\)](#)

English

[POSITIVE LOCK EX CONTACT](#)

English