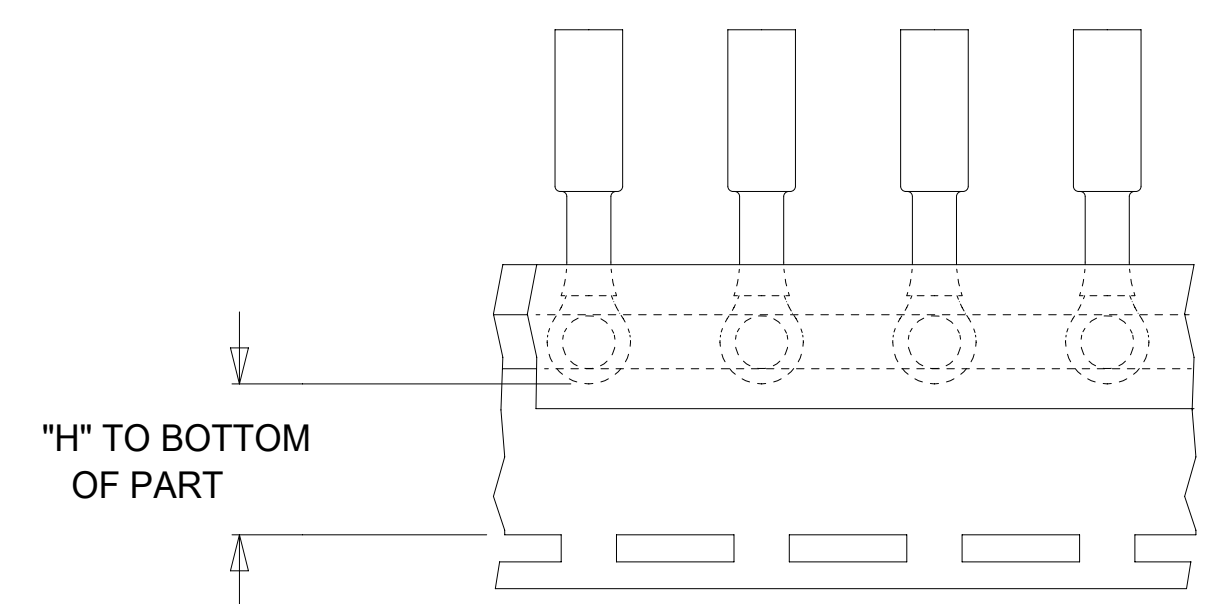
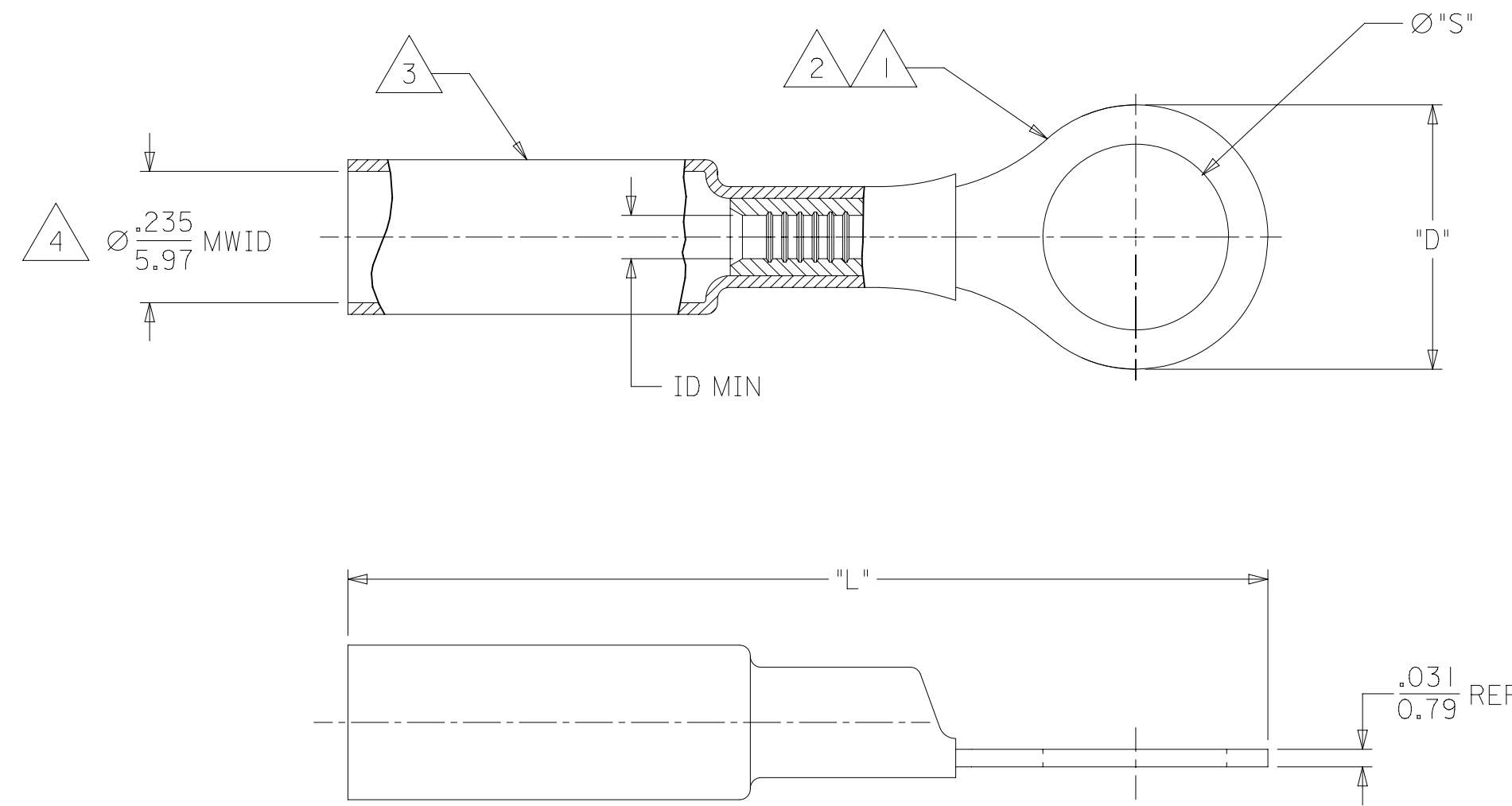


MAT'L NO.	ENG NO.	MAT'L NO. (TAPE)	ENG NO. (TAPE)	STUD SIZE	"S" ±.005 (0.03)	"D" MAX	"H" ±.010 (0.25)	"L" MAX	ID MIN
191640031	SB-237-04	191640941	SB-237-04T	#4	.119/3.02	.320/8.17	.527/13.39	1.45/36.8	.082/2.08
191640032	SB-237-06	191640310	SB-237-06T	#6	.146/3.71	.320/8.17	.527/13.39	1.45/36.8	.082/2.08
191640033	SB-237-08	191640311	SB-237-08T	#8	.173/4.39	.320/8.17	.527/13.39	1.45/36.8	.082/2.08
191640034	SB-237-10	191640312	SB-237-10T	#10	.198/5.03	.320/8.17	.527/13.39	1.45/36.8	.082/2.08
191640025	SB-225-10	191640940	SB-225-10T	#10	.198/5.03	.475/12.07	.338/8.59	1.63/41.4	.082/2.08
191640026	SB-225-14	191640308	SB-225-14T	1/4	.265/6.73	.475/12.07	.338/8.59	1.63/41.4	.082/2.08
191640027	SB-225-56	191640309	SB-225-56T	5/16	.328/8.33	.475/12.07	.338/8.59	1.63/41.4	.082/2.08
191640020	SB-218-38	191640307	SB-218-38T	3/8	.390/9.91	.544/13.82	.340/8.64	1.68/42.67	.082/2.08
191640022	SB-223-06	---	---	#6	.146/3.71	.255/6.48	---	1.26/32.0	.082/2.08

C3



PARTS ON TAPE

- NOTE(S):
- 1 TERMINAL MATERIAL: COPPER ALLOY
 - 2 FINISH: ELECTRO TIN PLATE.
 - 3 INSULATION MATERIAL: HEAT SHRINKABLE TUBING WITH HOTMELT ADHESIVE INNER LINER. COLOR: BLUE
 - 4 MWID = MAXIMUM WIRE UNSULATION DIAMETER.
 - 5. PARTS ARE RoHS COMPLIANT.

FUNCTIONAL SYMBOLS										THIS DRAWING CONTAINS INFORMATION THAT IS PROPRIETARY TO MOLEX ELECTRONIC TECHNOLOGIES, LLC AND SHOULD NOT BE USED WITHOUT WRITTEN PERMISSION									
DIMENSION UNITS					SCALE					CURRENT REV DESC: ADD MISSING PN 191640022 (SB-223-06)									
IN/MM					NTS					EC NO: 637821 DRWN: DMYRICK 2020/05/18 CHK'D: JMACNEIL 2020/05/19 APPR: JMACNEIL 2020/05/19									
GENERAL TOLERANCES (UNLESS SPECIFIED)																			
4 PLACES		±		MM		±		INCH							±				
3 PLACES		±		MM		±		INCH							±				
DIVISIONAL SYMBOLS					1 PLACE					INITIAL REVISION:									
2 PLACES					±					DRWN:									
3 PLACES					±					APPR:									
4 PLACES					±					THIRD ANGLE PROJECTION									
ANGULAR TOL					± °					DRAWING									
DRAFT WHERE APPLICABLE MUST REMAIN WITHIN DIMENSIONS					SERIES					MATERIAL NUMBER									
					C-SIZE					CUSTOMER									
					19164					GENERAL MARKET									
					SEE CHART					SHEET NUMBER									
					1 OF 1					DOCUMENT NUMBER									
					SD-19164-026					DOC TYPE									
					PSD					DOC PART									
					001					REVISION									
					C3														