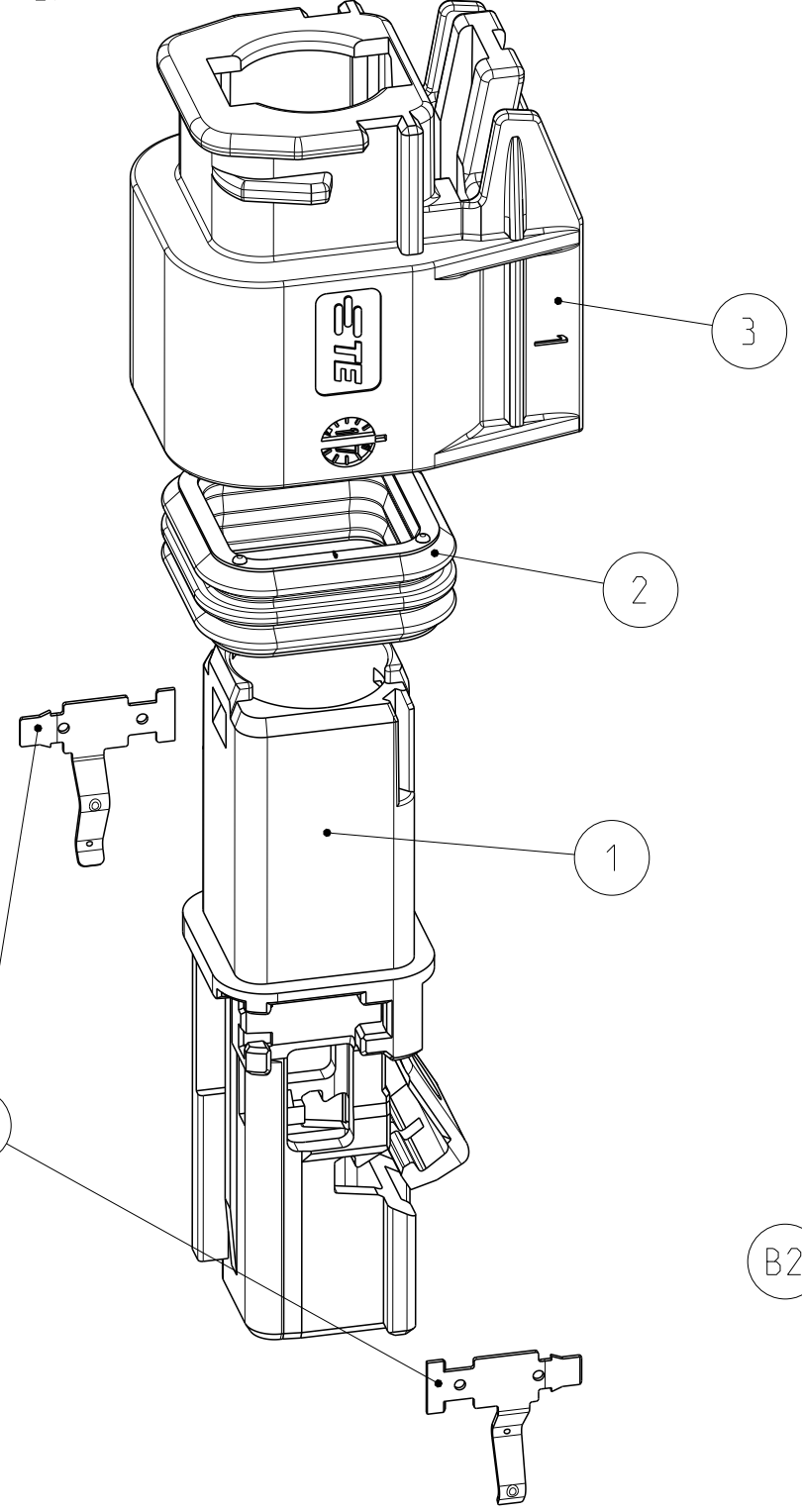
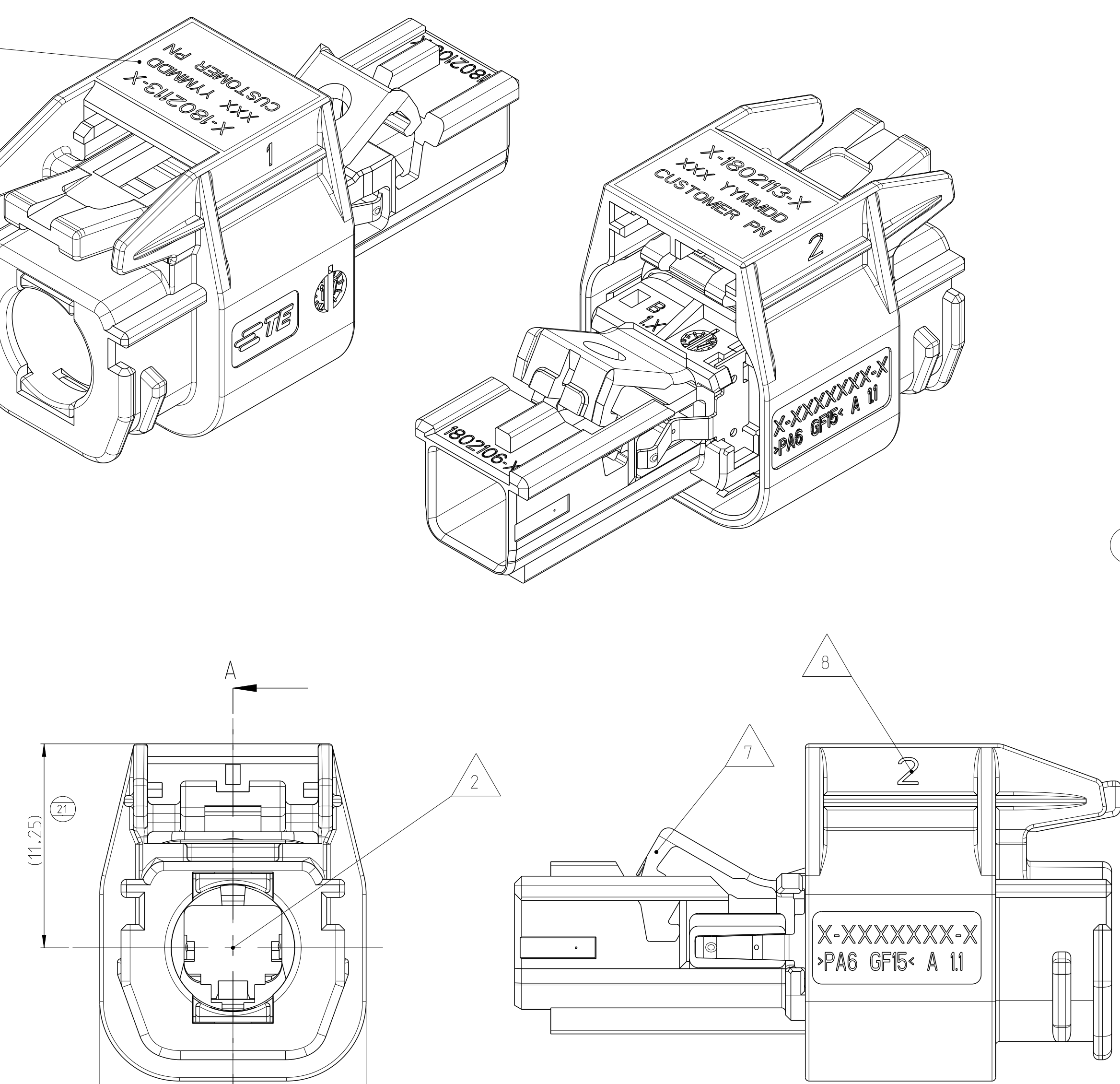
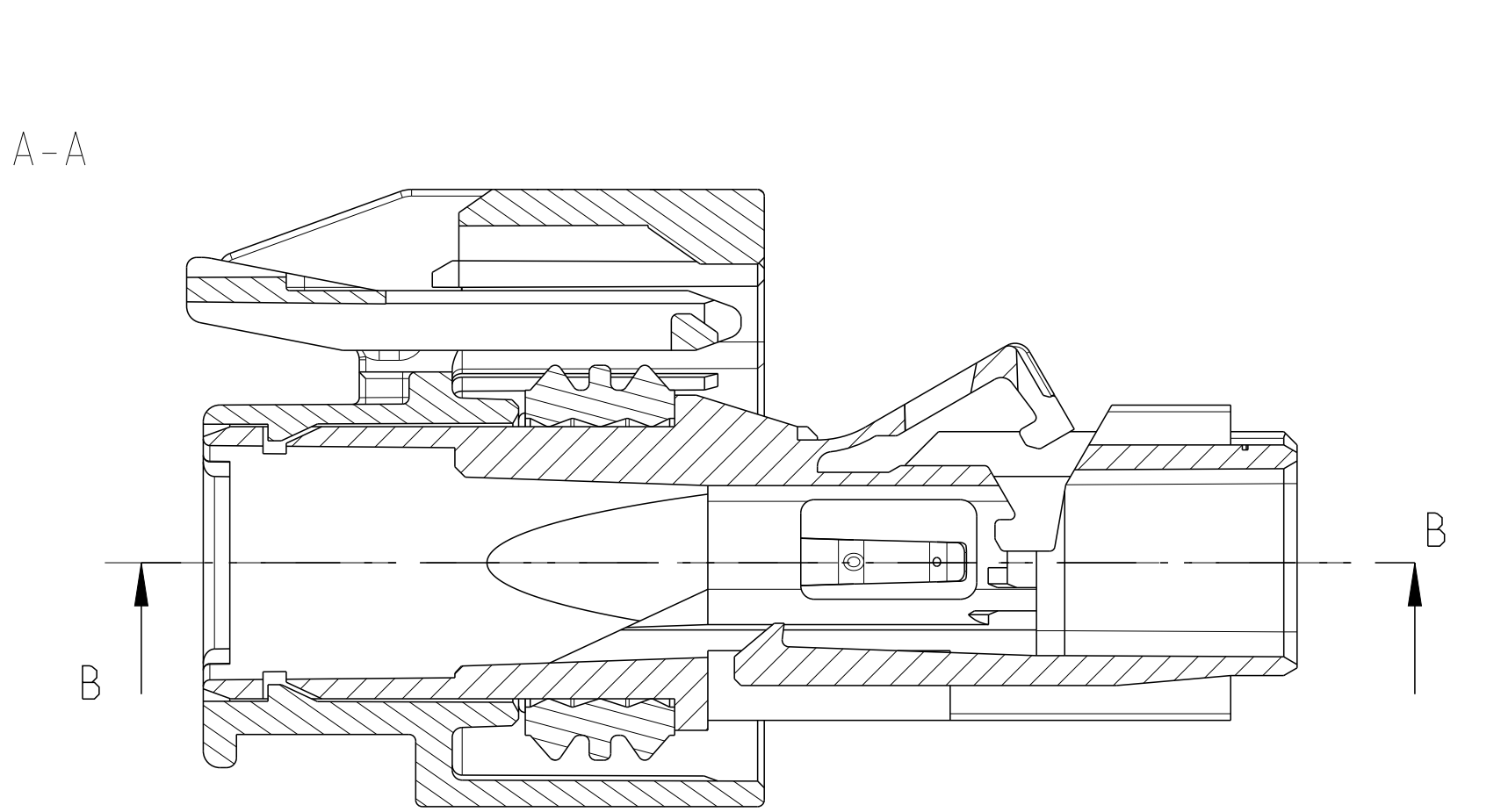
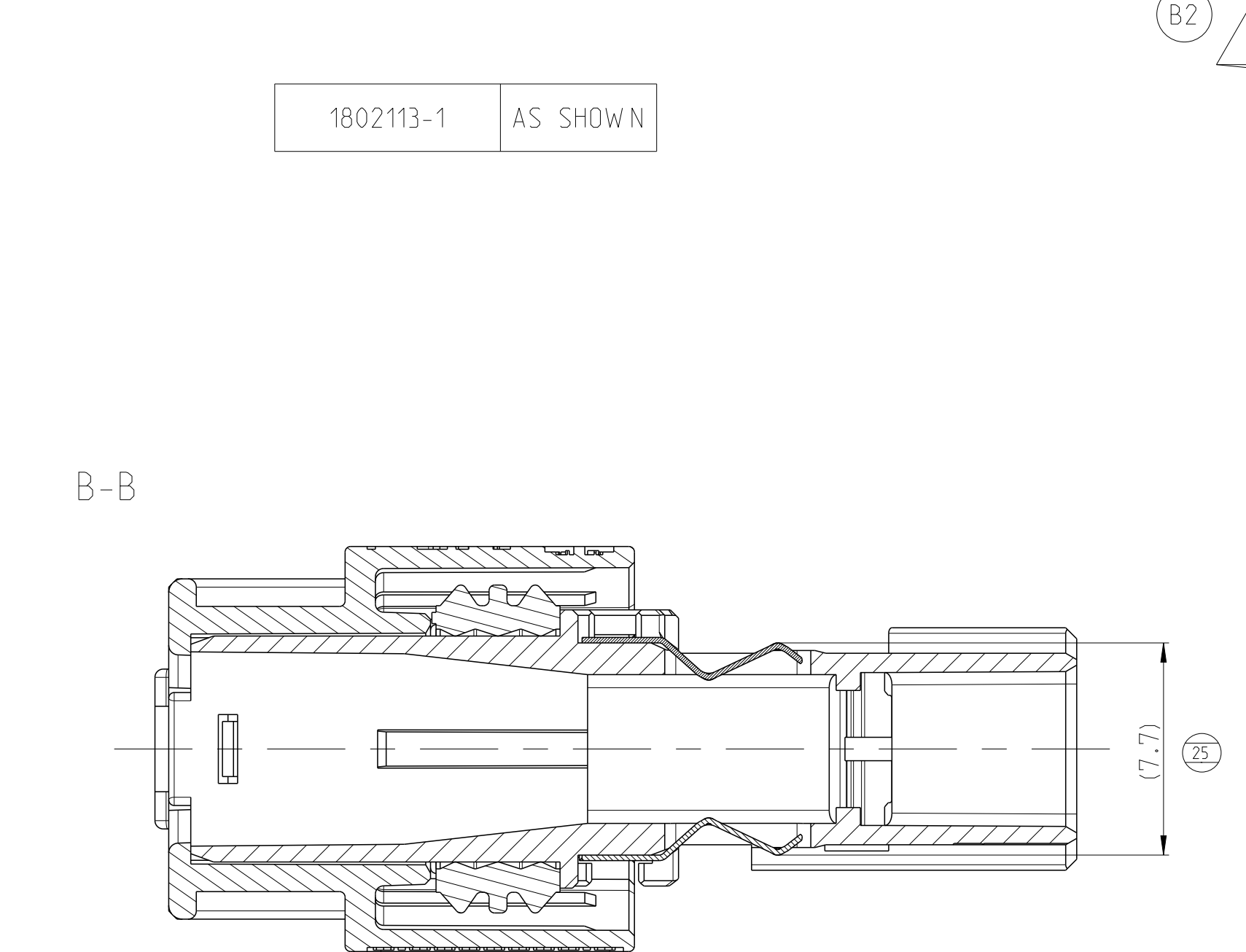
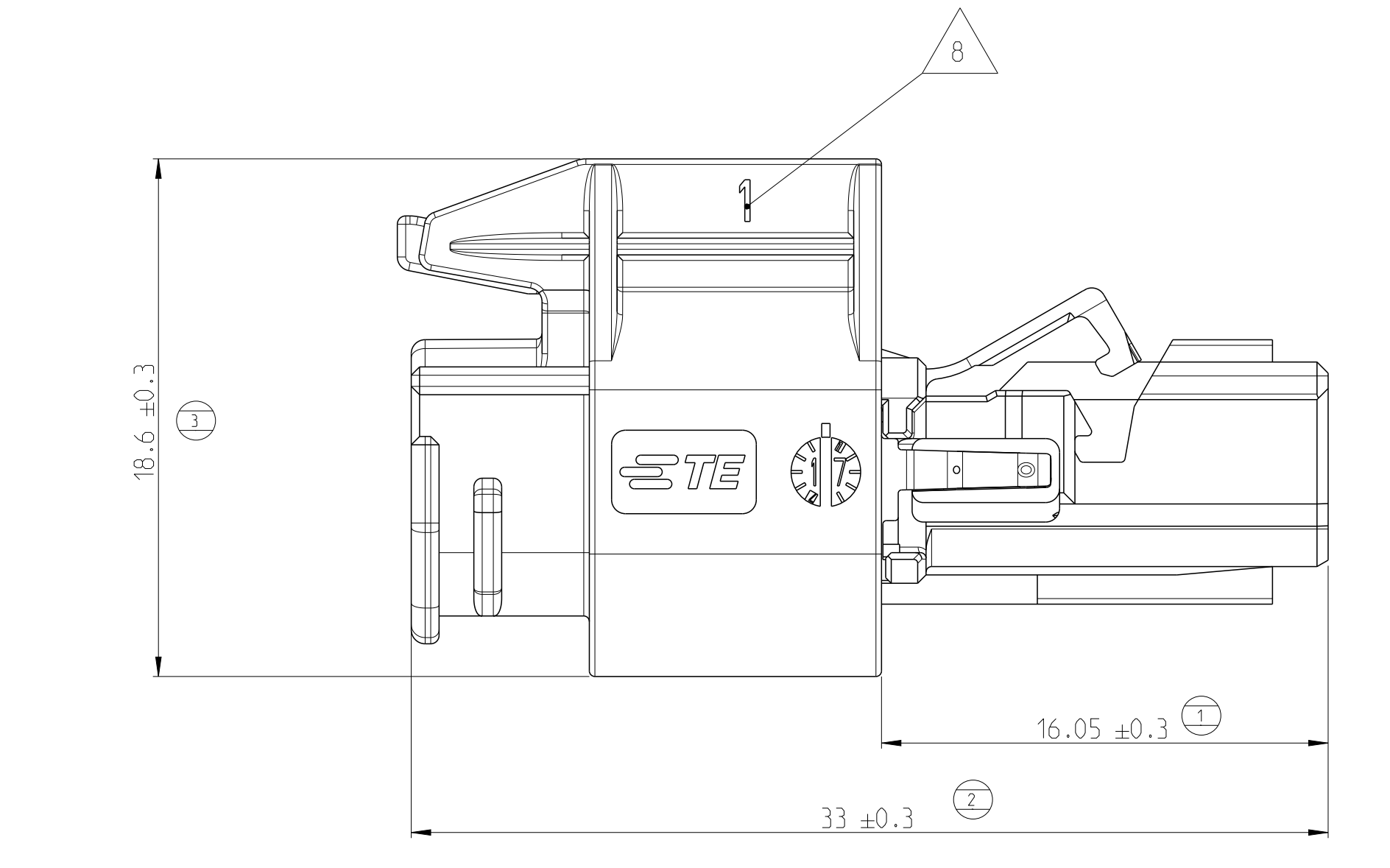
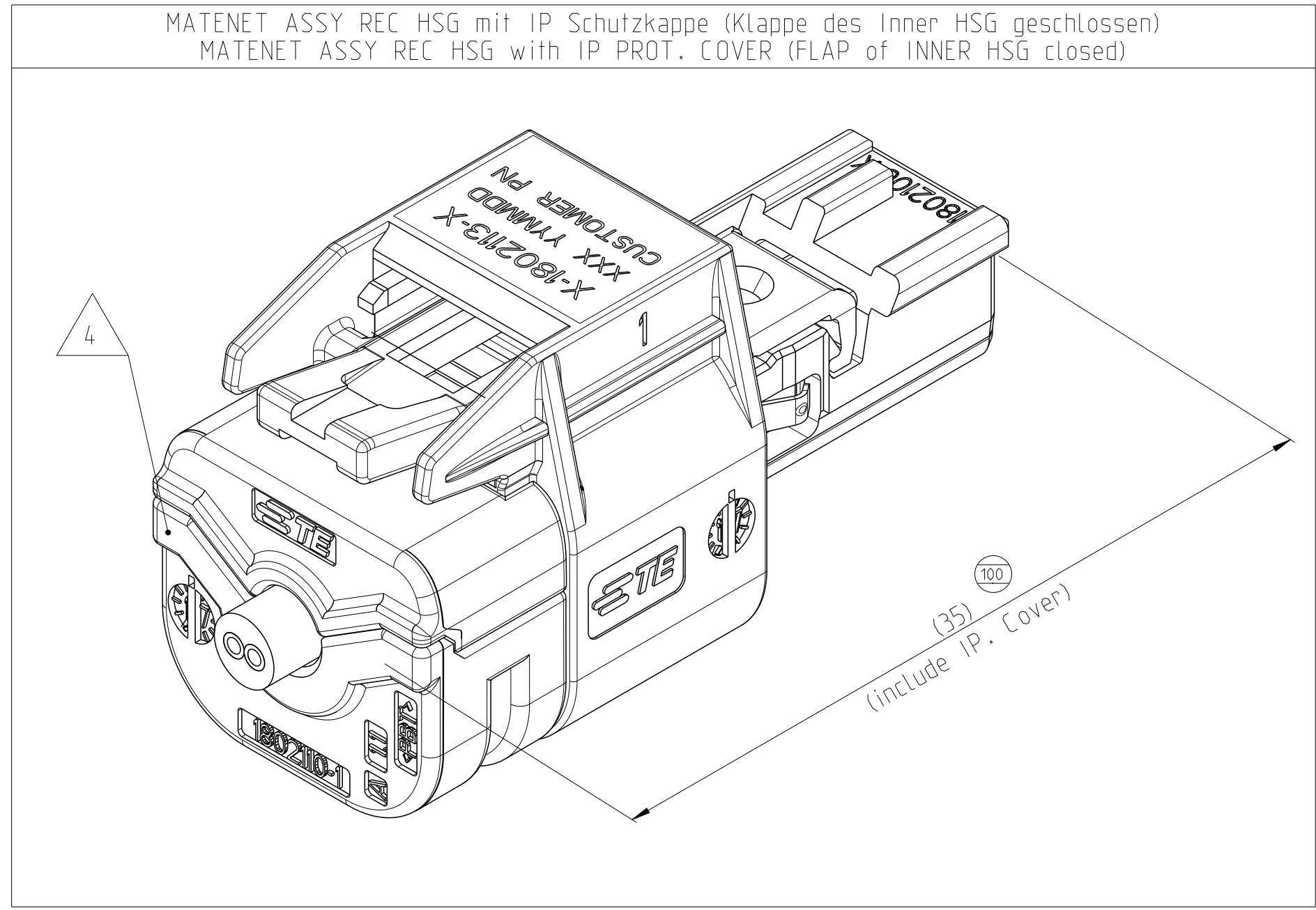
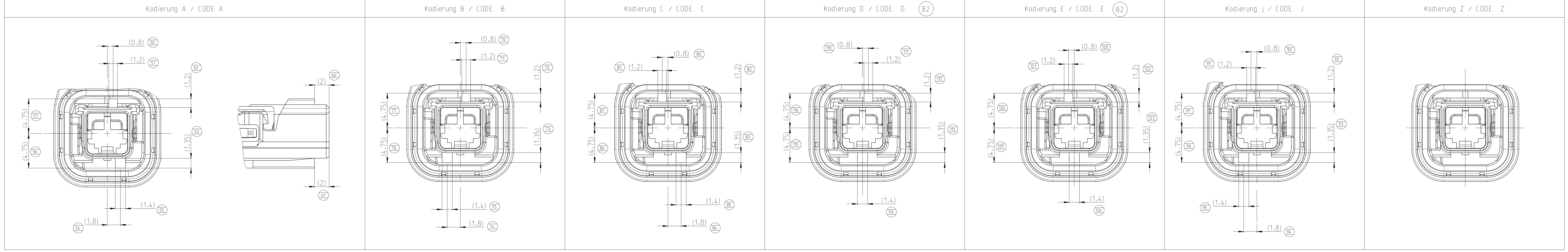
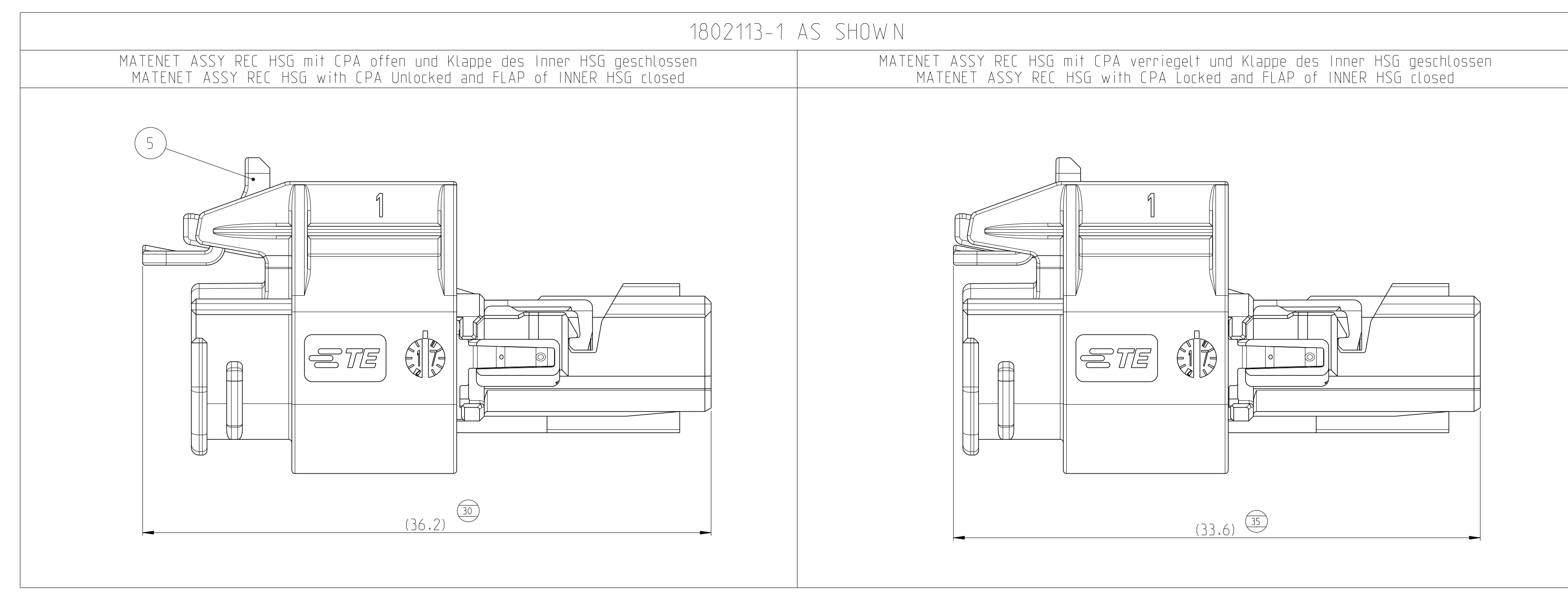


REVISIONS				
REV	DATE	BY	APPV	DESCRIPTION
A1	14NOV2016	NS	KR	ADD MISSING COMPONENT
B	21FEB2017	NS	UT	X-1802106-X UPDATED
B1	27NOV2017	NS	KR	ADD SERIE VERSION
B2	04SEP2018	NS	KR	ADD CODING D.E AND REF WITH CPA

Kodierung nach TE Schnittstellenzeichnung 208-18013 / CODINGS ACC. TE INTERFACE DRW. 208-18013



- Notizen / NOTES
- Passend zu Stiftnamen nach TE-Schnittstellenzeichnung 208-18013
MATING TO PINHEADER ACC. TE-INTERFACE DRAWING 208-18013
 - Kammer fuer MATEnet 2Pos. NanoMDS female insert module TE PN 0-2302450-X
CAVITY FOR MATEnet 2Pos. NanoMDS FEMALE INSERT MODULE TE PN 0-2302450-X
 - Bereich zum Bedruecken:
- TE PN
- Fertigungsdatum (YYMMDD)
- Fertigungsstandort Code nach TE-Spez. TEC-115-24
- Kunden PN
AREA FOR PRINTING:
- TE PN
- PRODUCTION DATE (YYMMDD)
- MANUFACTURING LOCATION CODE PER TE-SPEC. TEC-115-24
- CUSTOMER PN
 - Passendes IP PROT. COVER 1802110
SUITABLE IP PROT. COVER 1802110
 - Passende Kabeldichtung 1802112
SUITABLE WIRE SEAL 1802112
 - Anlieferzustand: 2. Kontaktsicherung geoeffnet
DELIVERY CONDITION: RETAINER IN OPEN POSITION
 - Verpackung: Schuetzfolie im Beutel, im Karton
PACKAGING: LOOSE PIECES IN BAG IN BOX
 - Kontaktkammernummer
CONTACT CAVITY NUMBER



ITEM	QTY	CODE	DESCRIPTION	MATERIAL	COLOR	WEIGHT (g)	REC HSG ASSY-MATEnet Sealed 1-Port							TE KEY NUMBER	CODING		
							A	B	C	D	E	J	Z				
4	1	-	CPA	PA46-GF15	Red 3003	0.202											
4	2	-	STP Shielding Spring MATEnet Sealed 1-Port1	X10CrNi18-8	N/A	0.7 (0.35x2)			X								
3	1	-	SEAL PROTECTION COVER MATEnet Sealed 1-Port	PA6-GF15	black 9011	1.29			X								
2	1	-	RADIAL SEAL MATEnet Sealed 1-Port	LSR	Green 6010	0.232			X								
1	1	Z	Inner HSG, Code Z MATEnet Sealed 1-Port		water-blue 5021							X					
1	1	J	Inner HSG, Code J MATEnet Sealed 1-Port		Beige 1001					X							
1	1	E	Inner HSG, Code E MATEnet Sealed 1-Port		green 6002				X								
1	1	D	Inner HSG, Code D MATEnet Sealed 1-Port	PBT-GF10	violet 4004				X								
1	1	C	Inner HSG, Code C MATEnet Sealed 1-Port		blue 5012				X								
1	1	B	Inner HSG, Code B MATEnet Sealed 1-Port		white 9010				X								
1	1	A	Inner HSG, Code A MATEnet Sealed 1-Port		black 9011				X								

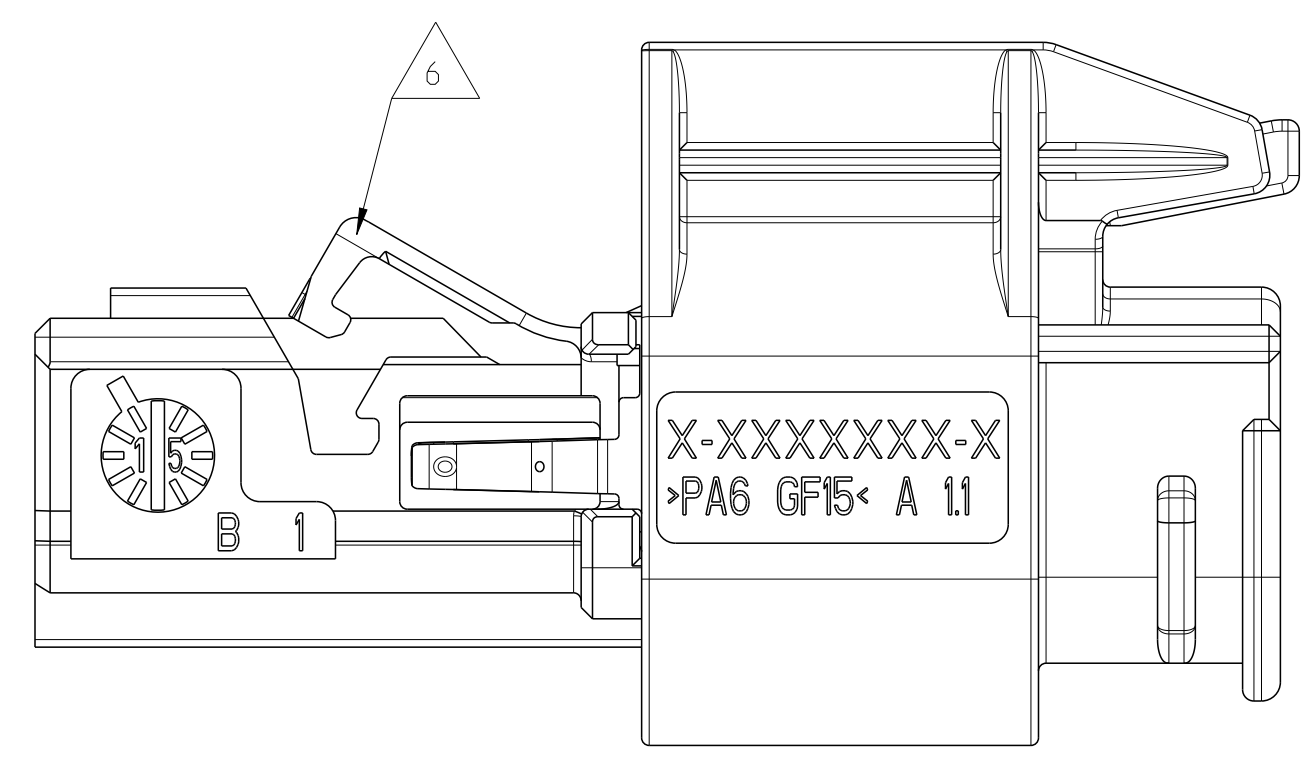
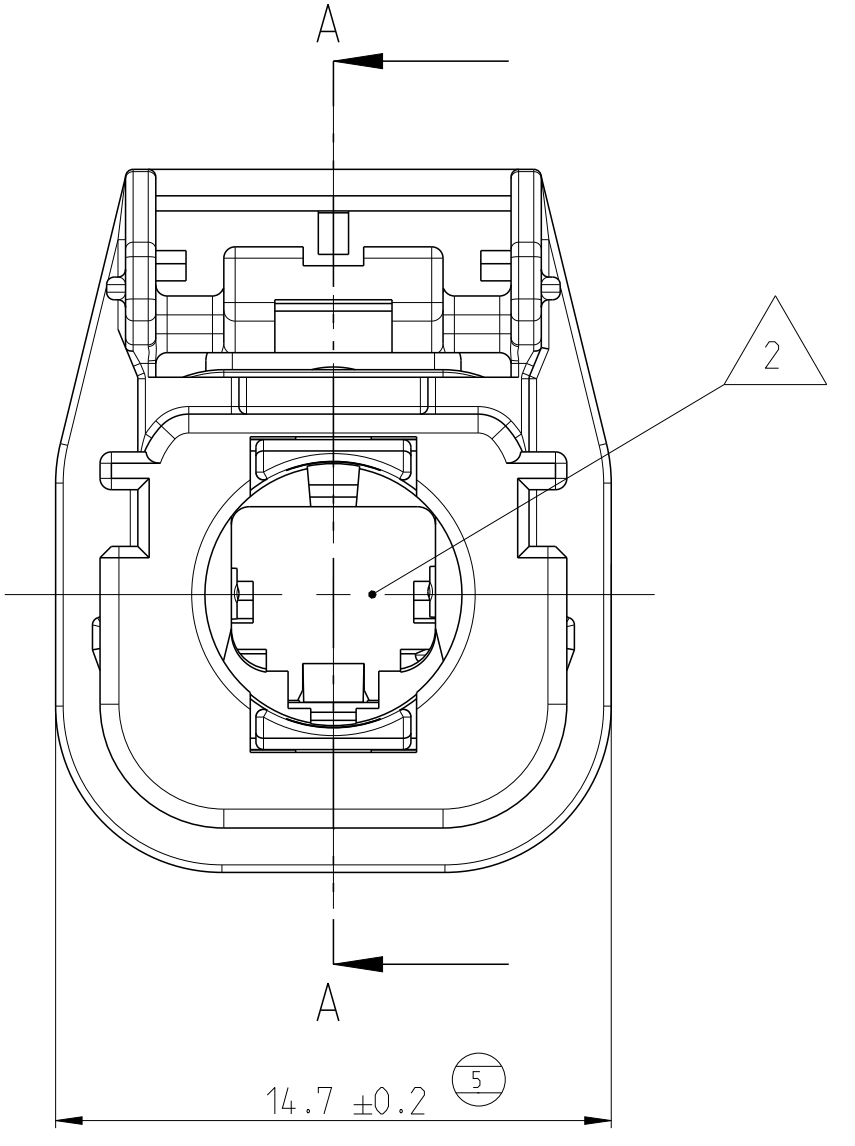
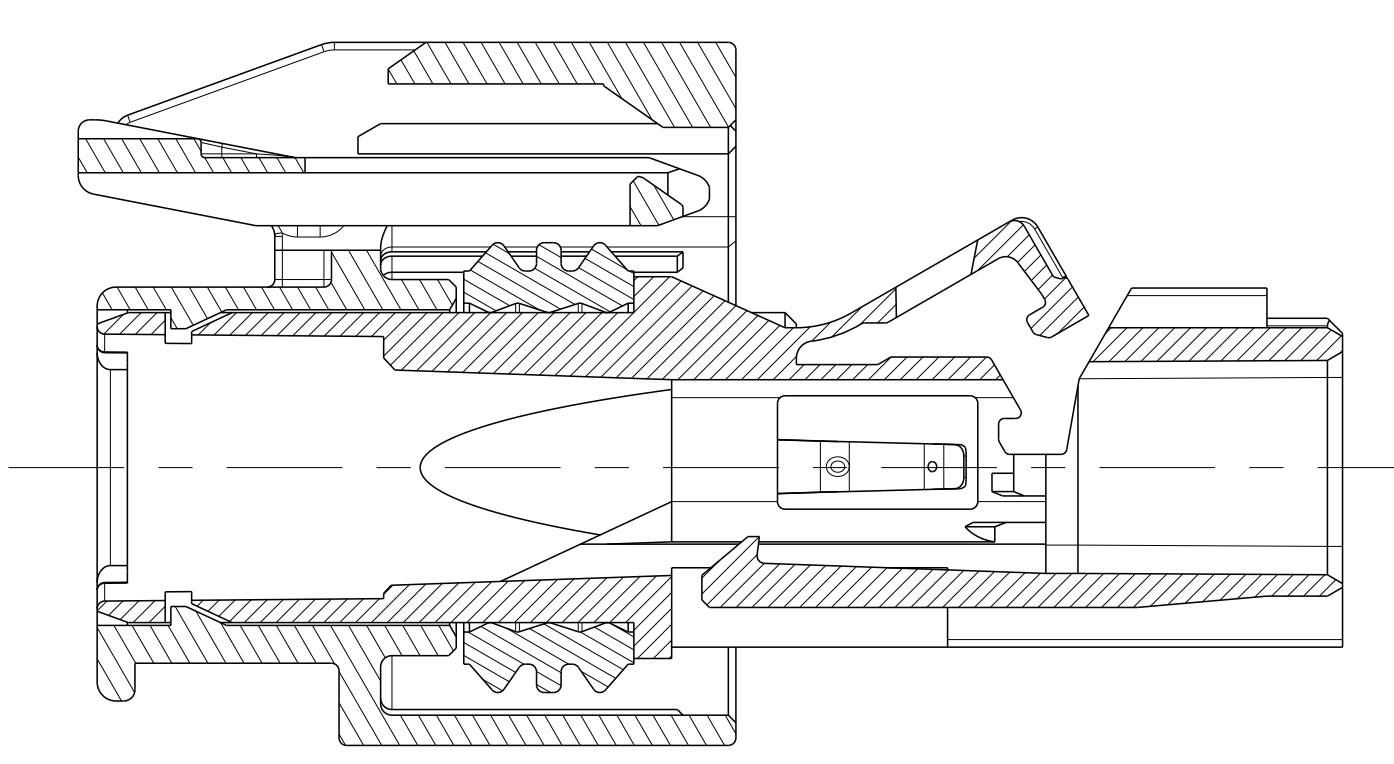
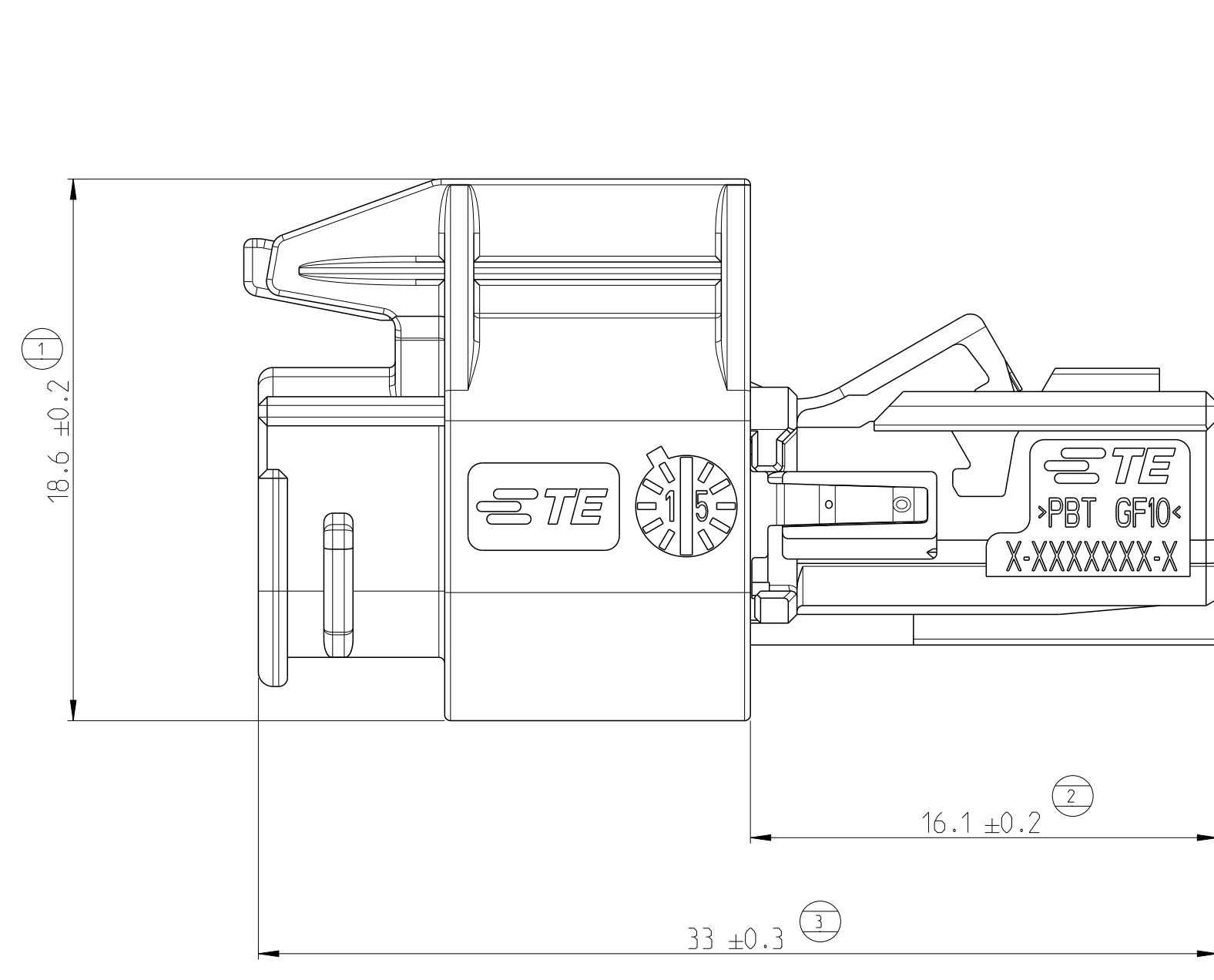
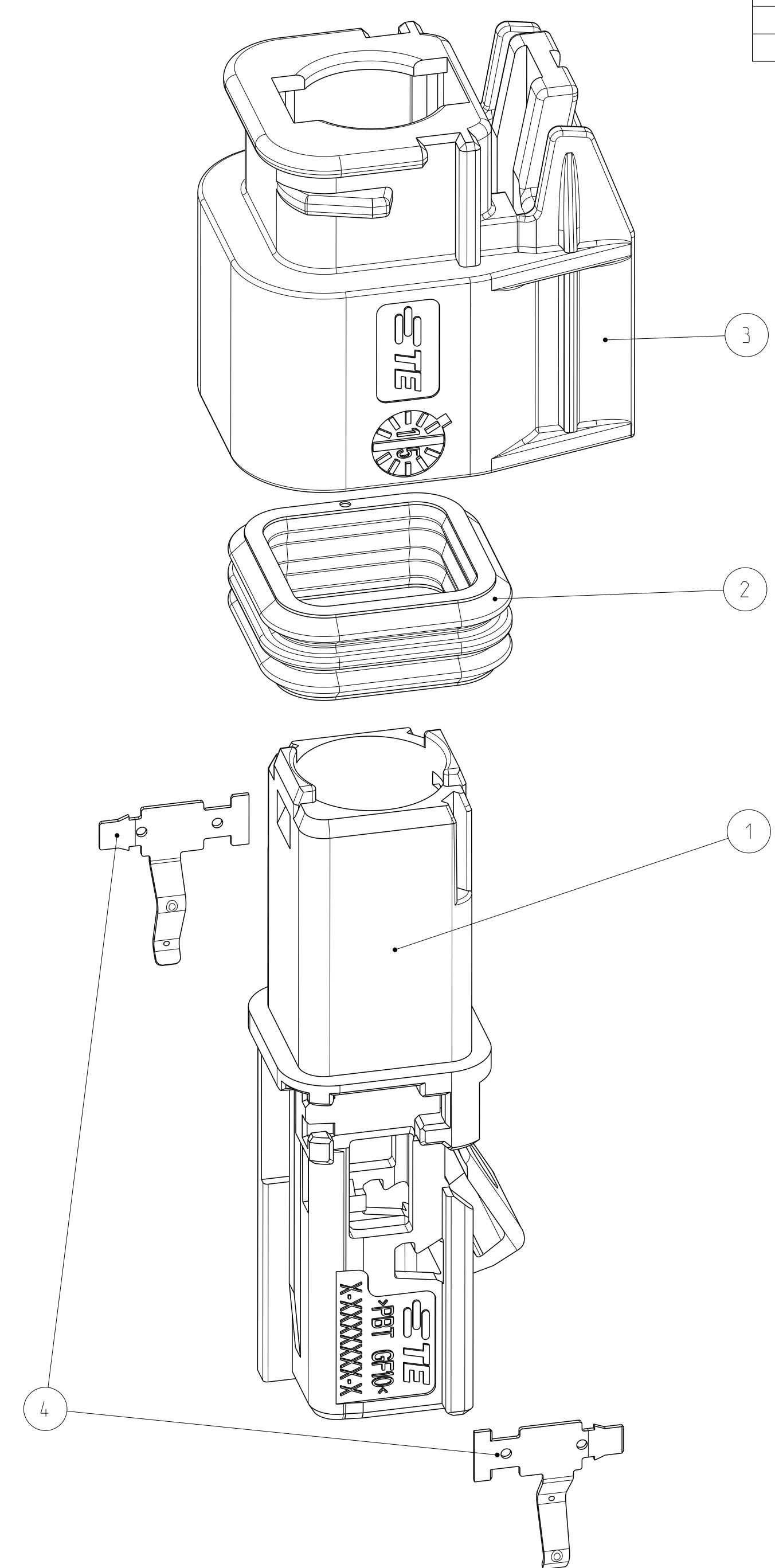
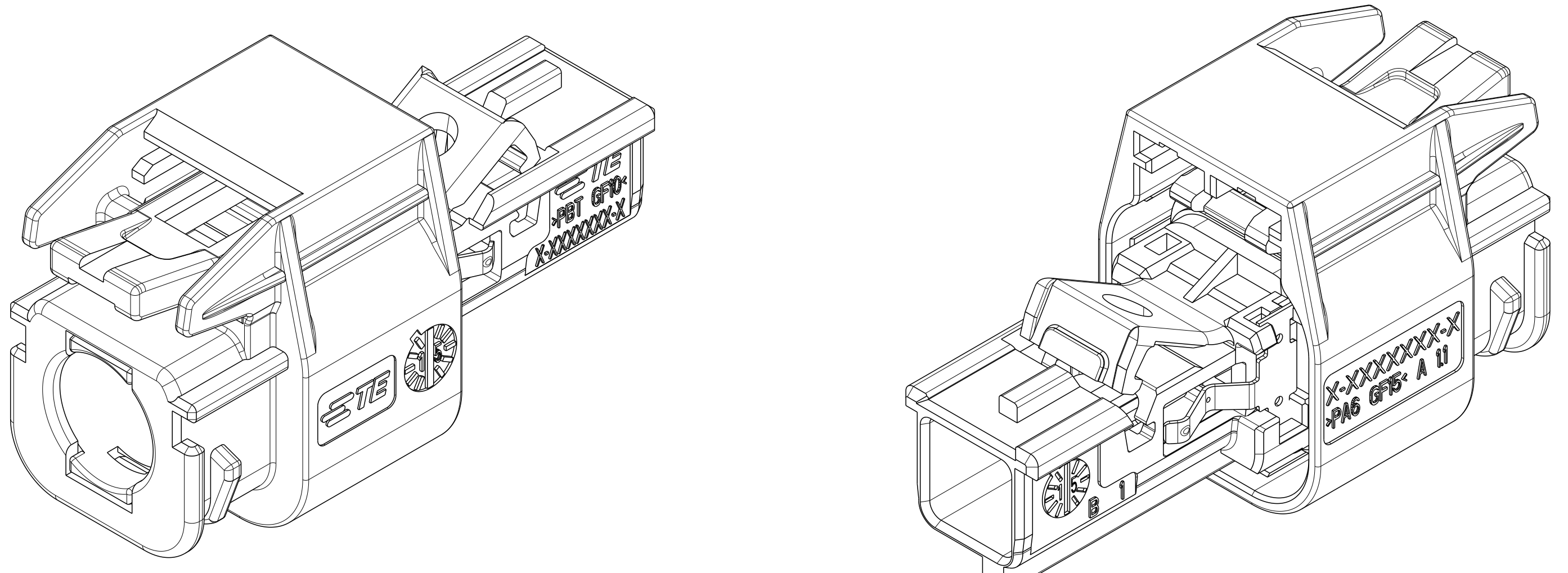
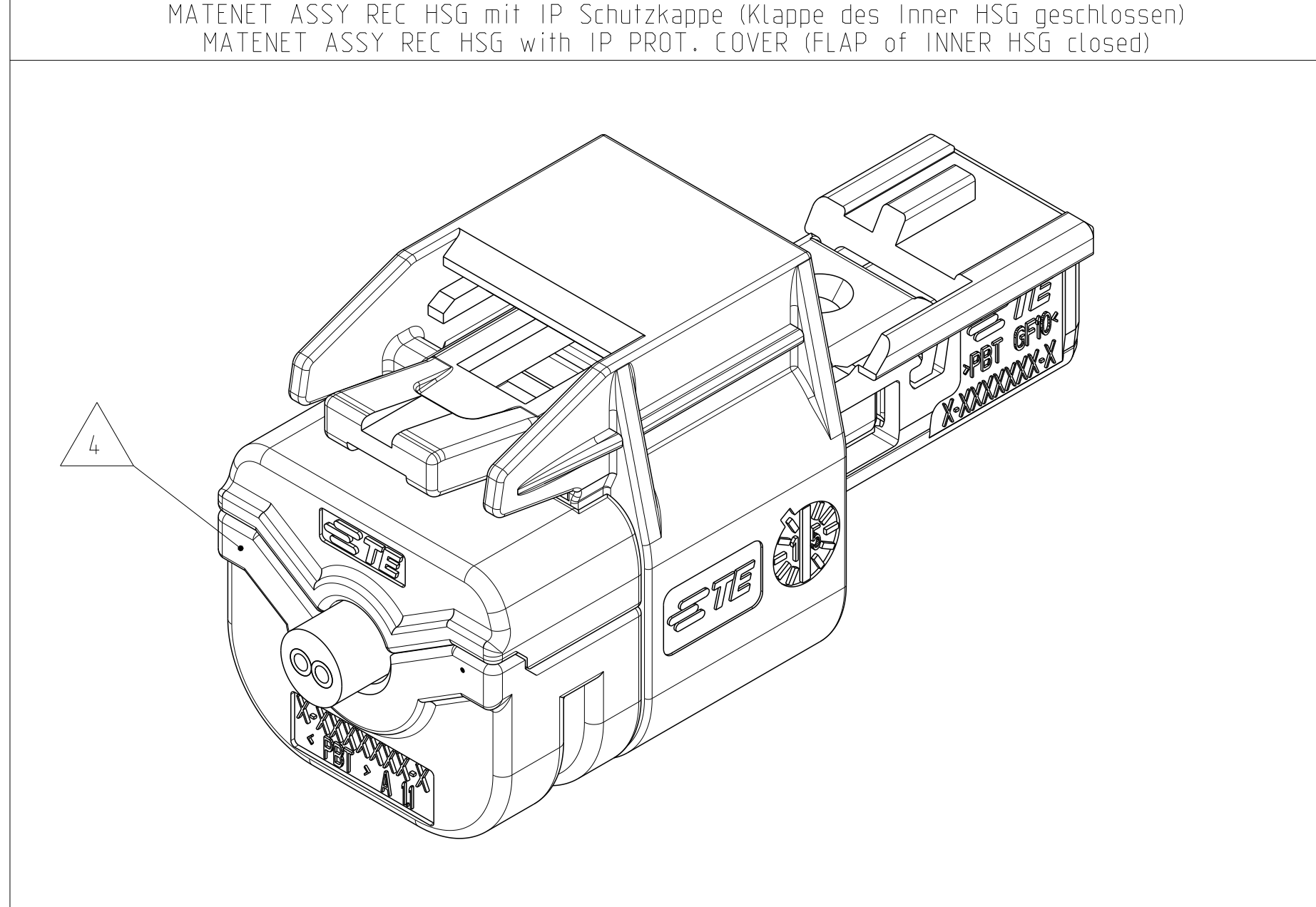
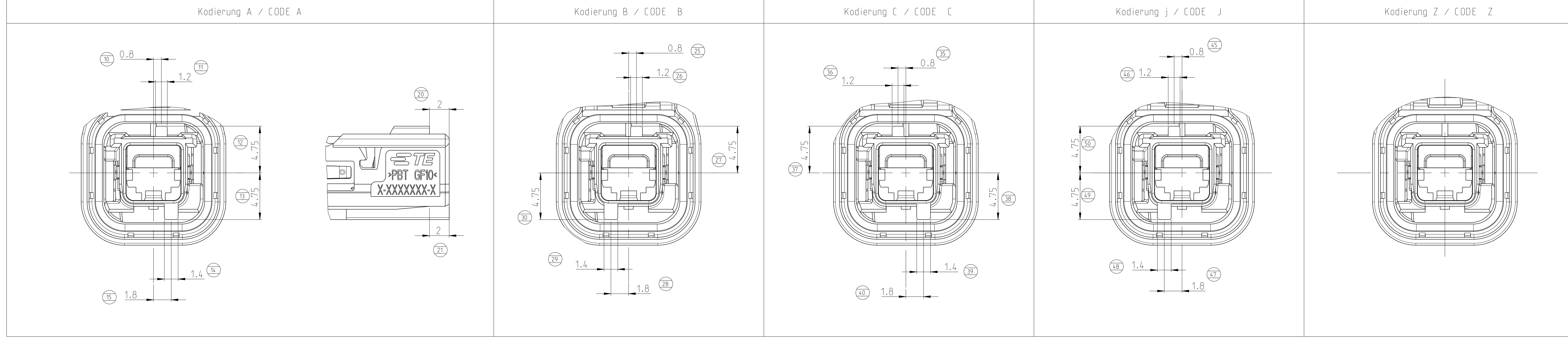
FOR SERIE C-SAMPLE ONLY
 NUR FUER C-MUSTER

THIS DRAWING IS A CONTROLLED DOCUMENT. DIMENSIONS: UNLESS OTHERWISE SPECIFIED: 0.125 (1/8) INCHES. MATERIAL: FINISH: CUSTOMER DRAWING. DATE: 00779. SCALE: 5:1. SHEET: 1 OF 2. DRAWING NO: 1802113. CUSTOMER DRAWING.

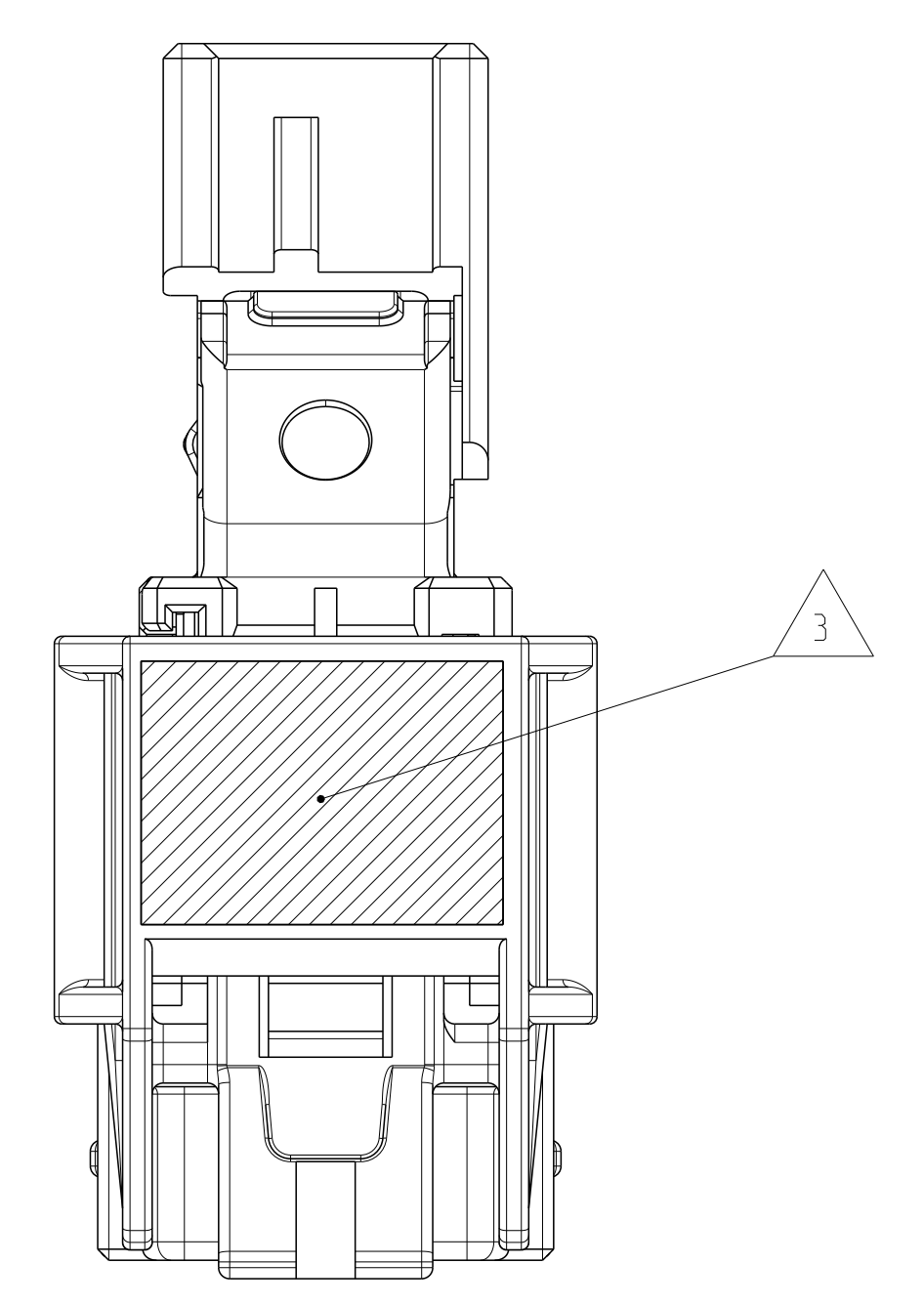
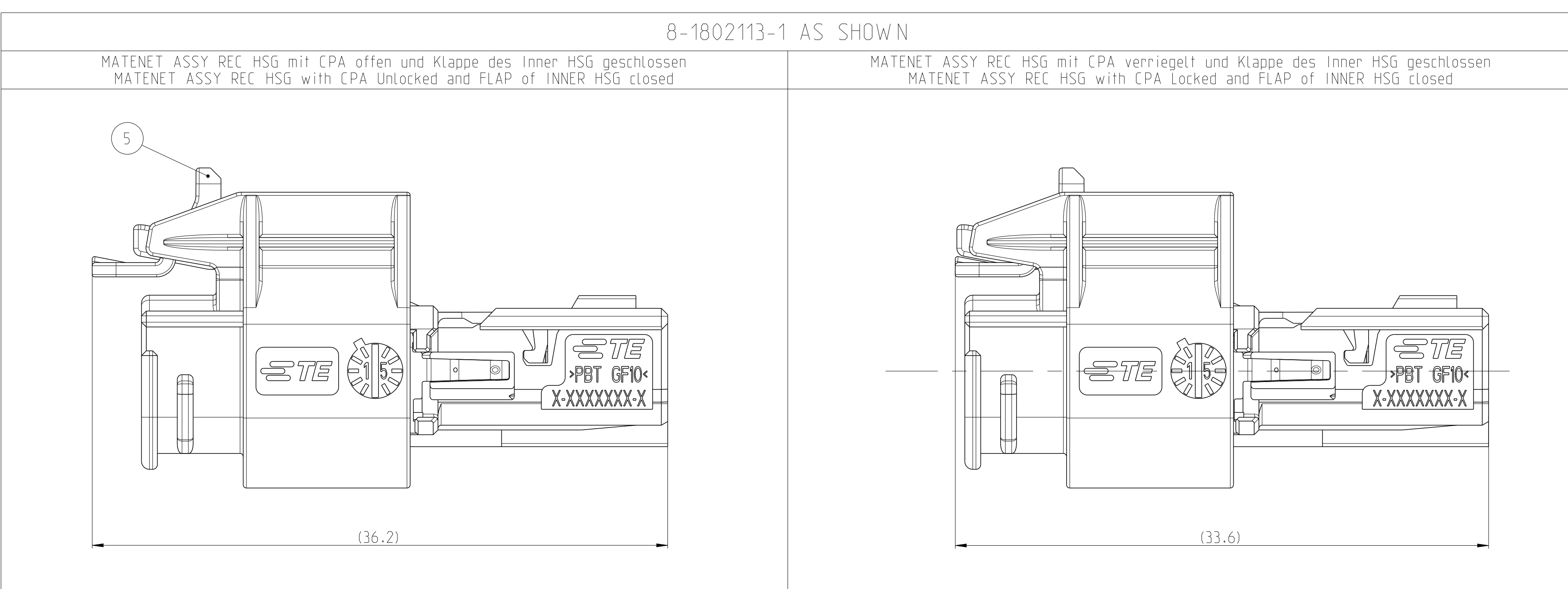
REC HSG ASSY MATEnet Sealed 1-Port

Kodierung nach TE Schnittstellenzeichnung 208-18013 / CODINGS ACC. TE INTERFACE DRW. 208-18013

REV	DATE	DESCRIPTION	BY	APPD
1	-	SEE SHEET 1	-	-



- Notizen / NOTES
- 1 Passend zu Stiftwanne nach TE-Schnittstellenzeichnung 208-18013
MATING TO PINHEADER ACC. TE-INTERFACE DRAWING 208-18013
 - 2 Kammer fuer MATENet 2Pos. NanoMOS female Insert module TE PN 9-2302450-X
CAVITY FOR MATENet 2Pos. NanoMOS FEMALE INSERT MODULE TE PN 9-2302450-X
 - 3 Bereich zum Bedrucken. TE PN, Produktionsdatum, Kunden PN
AREA FOR PRINTING. TE PN, DATE CODE, CUSTOMER PN
 - 4 Passendes IP PROT. COVER 1802110
SUITABLE IP PROT. COVER 1802110
 - 5 Passende Kabeldichtung 1802112
SUITABLE WIRE SEAL 1802112
 - 6 Anlieferzustand: 2. Kontaktsicherung geöffnet
DELIVERY CONDITION: RETAINER IN OPEN POSITION
 - 7 Verpackung: Schuetzgut im Beutel im Karton
PACKAGING: LOOSE PIECES IN BAG IN BOX



		REC HSG ASSY/MATENet Sealed 1Port										TE ASSY NUMBER	CODING
		A	B	C	J	Z	A	B	C	J	Z		
5	1	-	CPA	PA46-GF15	Red 3003	0,202						X	
4	2	-	STP Shielding Spring MATENet Sealed 1-Port	STAINLESS STEEL	Sn	0,7 (0.35x2)						X	
3	1	-	SEAL PROTECTION COVER MATENet Sealed 1-Port	PA6-GF15	black 9011	1,29						X	
2	1	-	RADIAL SEAL MATENet Sealed 1-Port	LSR	Green 6010	0,232						X	
1	1	Z	Inner HSG, Code Z MATENet Sealed 1-Port		water-blue 5021								X
1	1	J	Inner HSG, Code J MATENet Sealed 1-Port		beige 1001				X				X
1	1	C	Inner HSG, Code C MATENet Sealed 1-Port	PBT-GF10	blue 5012	1		X				X	
1	1	B	Inner HSG, Code B MATENet Sealed 1-Port		white 9010				X				
1	1	A	Inner HSG, Code A MATENet Sealed 1-Port		black 9011		X					X	

9-1802113-1 AS SHOWN

**FOR PROTOTYPE B-SAMPLE ONLY
 NUR FUER B-MUSTER**

THIS DRAWING IS A CONTROLLED DOCUMENT. DATE 15SEP2016 BY M.SIMON IN CH. Y.ROULLIARD. X.SCHRETTLINGER. REVISED 15SEP2016. APPLICATION SPEC 114-94431. WEIGHT 3gr. CUSTOMER DRAWING. SCALE 5:1 SHEET 2 OF 2. REVISION: REC HSG ASSY/MATENet Sealed 1-Port. SIZE CASE CODE DRAWING NO. A000779. DATE CODE: 1802113. PART NUMBER: 8-1802113-1.