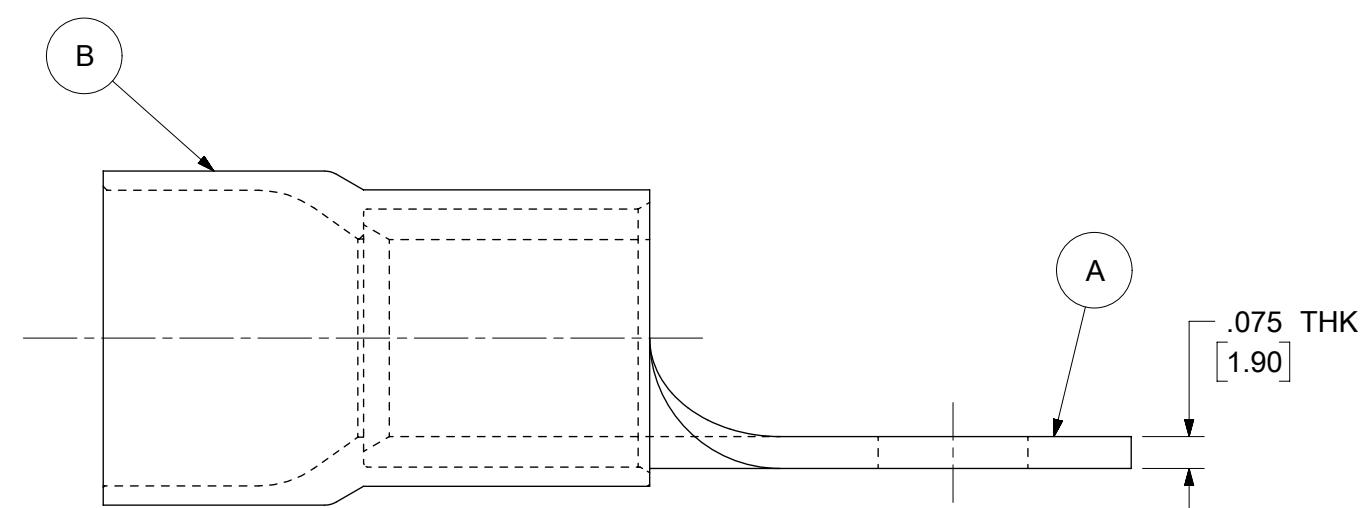
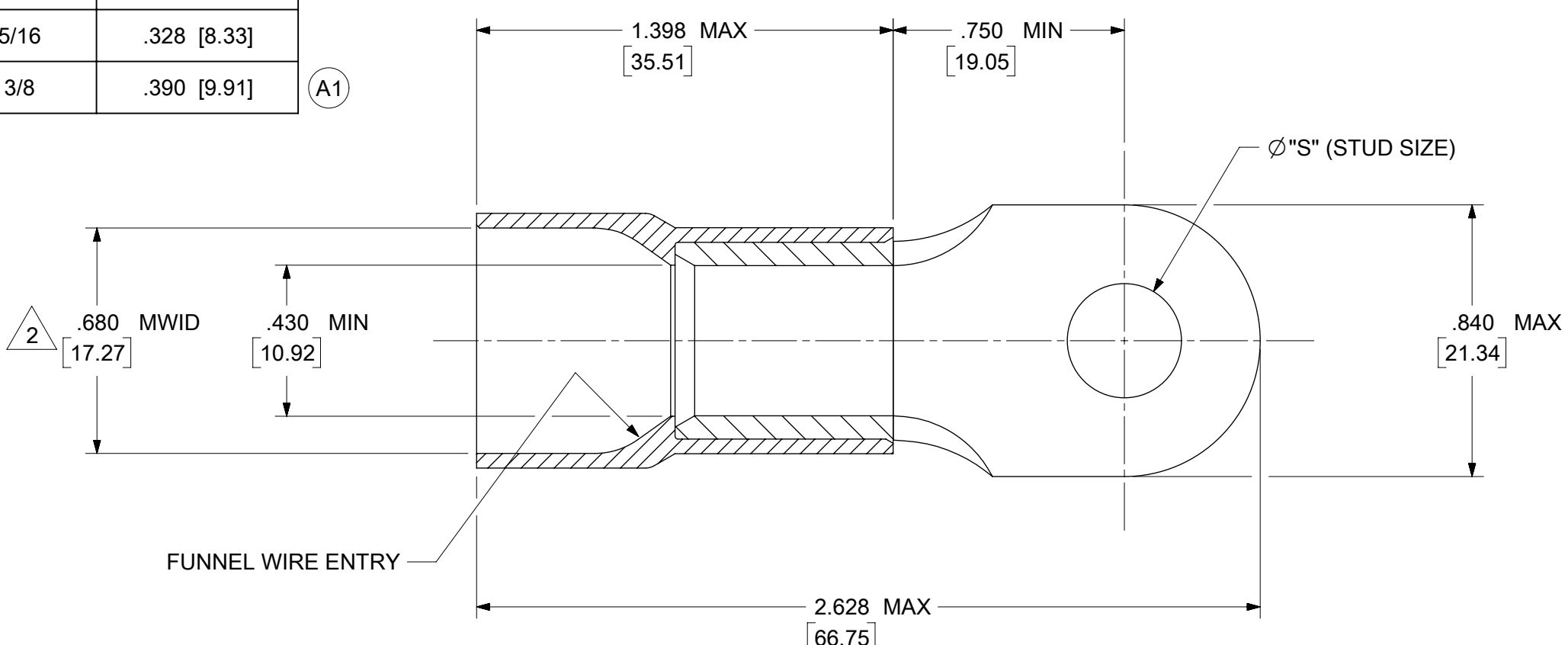


LOOSE PIECE		SPECIFICATIONS	
MATERIAL NUMBER	ENGINEERING NUMBER	STUD SIZE	"S" ±.005 [0.13]
190670103	H-981-14	1/4	.265 [6.73]
190670104	H-981-56	5/16	.328 [8.33]
190670359	H-981-38	3/8	.390 [9.91]



- NOTES:
- MATERIAL:
 - (A). TERMINAL: COPPER ALLOY
 - PLATING: ELECTRO-TIN (.0003 MIN.)
 - (B). INSULATION: NYLON 6/6, COLOR CODED BLUE
 - MWID: MAXIMUM WIRE INSULATION DIAMETER
 - WIRE SIZE: 1/0 AWG
55 MM²
 - ALL COMPONENTS ARE RoHS COMPLIANT.
 - DIMS. SHOWN ARE FOR REFERENCE ONLY.

THIS DRAWING CONTAINS INFORMATION THAT IS PROPRIETARY TO MOLEX ELECTRONIC TECHNOLOGIES, LLC AND SHOULD NOT BE USED WITHOUT WRITTEN PERMISSION										
FUNCTIONAL SYMBOLS	DIMENSION UNITS	SCALE	CURRENT REV DESC: MIGRATED TO ECTR/NX AND ADDED PN 190670359							
$\nabla_A = 0$	INCH/MM	NTS	EC NO: 639324 DRWN: ABENJAMINLW 2020/06/05 CHK'D: DMYRICK 2020/06/10 APPR: JMACNEIL 2020/06/11 INITIAL REVISION: DRWN: PBUNNELL 2001/03/01 APPR: RDEROSS 2001/03/07							
$\nabla_E = 0$	GENERAL TOLERANCES (UNLESS SPECIFIED)									
$\nabla_P = 0$	MM	INCH								
DIVISIONAL SYMBOLS	4 PLACES	±	---	±	---	PRODUCT CUSTOMER DRAWING				
	3 PLACES	±	---	±	---	DOCUMENT NUMBER				
	2 PLACES	±	---	±	---	SD-19067-007				
	1 PLACE	±	---	±	---	DOC TYPE DOC PART REVISION				
	0 PLACES	±	---	±	---	PSD 001 A1				
	ANGULAR TOL	±	---	MATERIAL NUMBER CUSTOMER SHEET NUMBER						
	DRAFT WHERE APPLICABLE MUST REMAIN WITHIN DIMENSIONS		THIRD ANGLE PROJECTION	DRAWING	SERIES	SEE CHART	GENERAL MARKET	1 OF 1		