

Board to Board Connectors S-200 Connector Systems

For 160 Position Post Header Assembly

Part Number : 174350-1

(Loaded all positions)
(Post Length A = 16.9mm)
A variation of the above-mentioned post with different plating is also available.

P/N : 178806-1

Part Number : 174350-2

(Loaded all positions)
(Post Length A = 9.4mm)

Part Number : 174350-3

(Loaded row A, B, C)
(Post Length A = 9.4mm)

Part Number : 174350-4

(Loaded row A, B)
(Post Length A = 9.4mm)

Material & Finish :

Housing — Glass-filled P.B.T., black

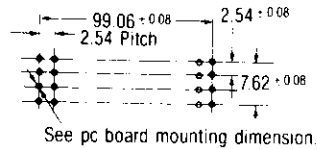
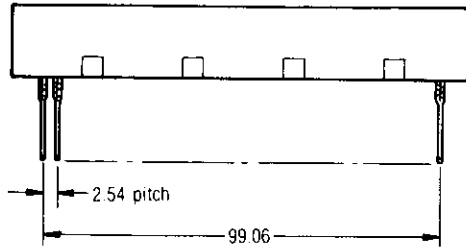
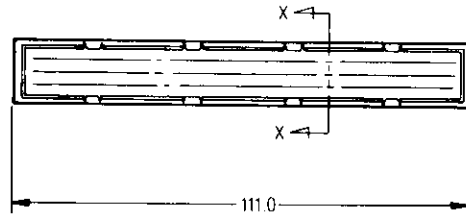
Contact — Copper alloy,

<Post length : 16.9mm>

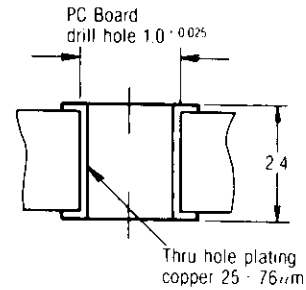
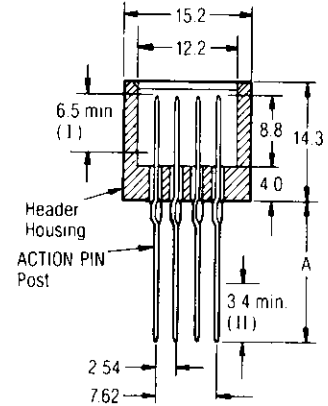
0.76µm min. selective gold on (I) area, 0.1µm min. gold on (II) area and action area, with entire contact underplated 1.3µm min. nickel.

<Post length : 9.4mm>

0.76µm min. selective gold on (I) area, 0.1µm min. gold on action area, with entire contact underplated 1.3µm min. nickel.



PC Board Layout



PC Board Mounting Dimension