

175208-1 ✓ ACTIVE

AMP | Multilock Connector System

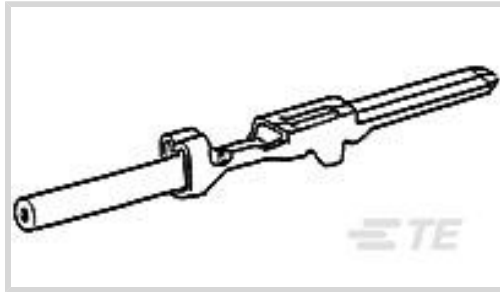
TE Internal #: 175208-1

Automotive Terminals, Tab, Mating Tab Width 1.8 mm [.071 in], Tab Thickness .025 in [.64 mm], 20 – 16 AWG Wire Size, Multilock Connector System

[View on TE.com >](#)



Terminals & Splices > Automotive Terminals > MULTILOCK, RECEPTACLE AND TAB



Terminal Type: **Tab**

Mating Tab Width: **1.8 mm [.071 in]**

Mating Tab Thickness: **.64 mm [.025 in]**

Terminal Transmits: **0 – 24 A (Low Power)**

Wire Size: **20 – 16 AWG**

[All MULTILOCK, RECEPTACLE AND TAB \(143\)](#)

## Features

### Product Type Features

Sealable	No
Primary Locking Feature	Clean Body

### Contact Features

Contact Size	1.8mm
Contact Fabrication	Stamped & Formed
Typical Current Rating	14 A
Crimp Type	F-Crimp
Terminal Type	Tab
Mating Tab Width	1.8 mm[.071 in]
Mating Tab Thickness	.64 mm[.025 in]
Interface Plating	Tin (Sn)
Contact Termination Area Plating Material	Tin (Sn)

### Termination Features

Termination Method to Wire & Cable	Crimp
Product Terminates To	Wire

### Dimensions

Wire Size	.5 – 1.25 mm <sup>2</sup>
-----------	---------------------------



Wire Size Search	16 AWG, 17 AWG, 18 AWG, 19 AWG, 20 AWG
------------------	--

Wire Insulation Diameter	1.2 – 2.2 mm [.047 – .086 in]
--------------------------	-------------------------------

### Usage Conditions

Insulation Option	Uninsulated
-------------------	-------------

Operating Temperature (Max)	80 °C, 85 °C, 90 °C, 100 °C, 105 °C [176 °F] [185 °F][194 °F][212 °F][221 °F]
-----------------------------	--

Operating Temperature Range	-30 – 105 °C [-22 – 221 °F]
-----------------------------	-----------------------------

### Packaging Features

Packaging Method	Reel
------------------	------

Packaging Quantity	3000
--------------------	------

### Other

Terminal Transmits	0 – 24 A (Low Power)
--------------------	----------------------

## Product Compliance

[For compliance documentation, visit the product page on TE.com>](#)

EU RoHS Directive 2011/65/EU	Compliant
------------------------------	-----------

EU ELV Directive 2000/53/EC	Compliant
-----------------------------	-----------

China RoHS 2 Directive MIIT Order No 32, 2016	No Restricted Materials Above Threshold
---	---

EU REACH Regulation (EC) No. 1907/2006	Current ECHA Candidate List: JUNE 2022 (224) Candidate List Declared Against: JAN 2022 (223) SVHC > Threshold: Not Yet Reviewed
--	--

Halogen Content	Low Halogen - Br, Cl, F, I < 900 ppm per homogenous material. Also BFR/CFR/PVC Free
-----------------	---

Solder Process Capability	Not applicable for solder process capability
---------------------------	--

#### Product Compliance Disclaimer

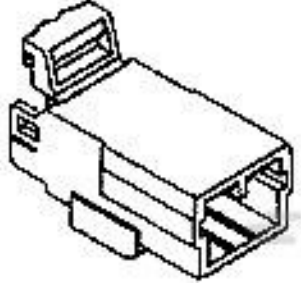
This information is provided based on reasonable inquiry of our suppliers and represents our current actual knowledge based on the information they provided. This information is subject to change. The part numbers that TE has identified as EU RoHS compliant have a maximum concentration of 0.1% by weight in homogenous materials for lead, hexavalent chromium, mercury, PBB, PBDE, DBP, BBP, DEHP, DIBP, and 0.01% for cadmium, or qualify for an exemption to these limits as defined in the Annexes of Directive 2011/65/EU (RoHS2). Finished electrical and electronic equipment products will be CE marked as required by Directive 2011/65/EU. Components may not be CE marked. Additionally, the part numbers that TE has identified as EU ELV compliant have a maximum concentration of 0.1% by weight in homogenous materials for lead, hexavalent chromium, and mercury, and 0.01% for cadmium, or qualify for an exemption to these limits as defined in the Annexes of Directive 2000/53/EC (ELV). Regarding the REACH Regulation, the information TE provides on SVHC in articles for this part number is based on the latest European Chemicals Agency (ECHA) 'Guidance on

requirements for substances in articles' posted at this URL: <https://echa.europa.eu/guidance-documents/guidance-on-reach>

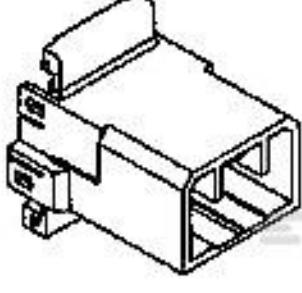
## Compatible Parts



TE Part # CAT-M9194-CH8172  
MULTILOCK, CONNECTOR HOUSING



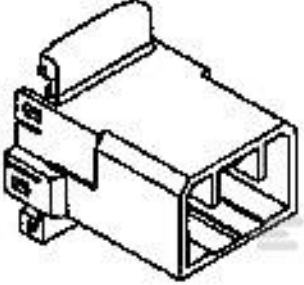
TE Part # 174930-1  
070 MLC W-W CAP HSG 6P SGL



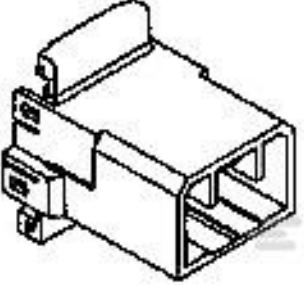
TE Part # 174936-1  
070 MLC W-W CAP HSG 20P



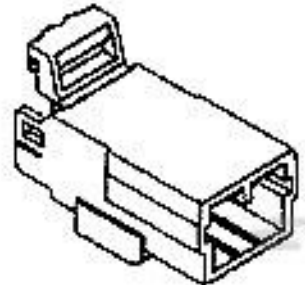
TE Part # 174928-1  
070 MLC W-W CAP HSG 3P NATURAL



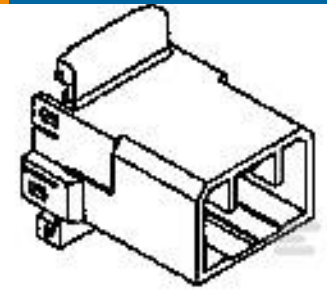
TE Part # 174933-1  
070 MLC W-W CAP HSG 12P



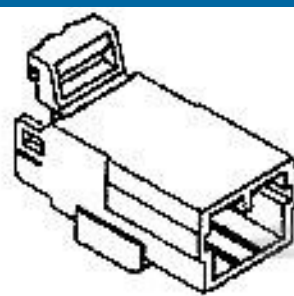
TE Part # 174935-1  
070 MLC W-W CAP HSG 18P



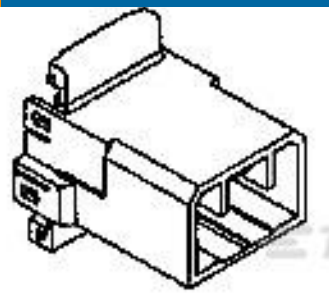
TE Part # 174930-2  
070 MLC W-W CAP HSG 6P BLACK



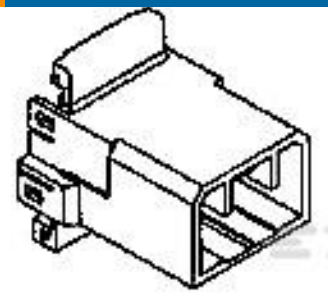
TE Part # 174934-1  
070 MLC W-W CAP HSG 14P



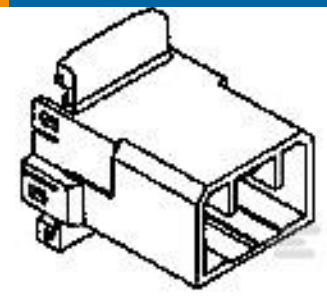
TE Part # 174928-2  
070 MLC W-W CAP HSG 3P BLACK



TE Part # 175657-1  
070 MLC W-W CAP HSG 6P



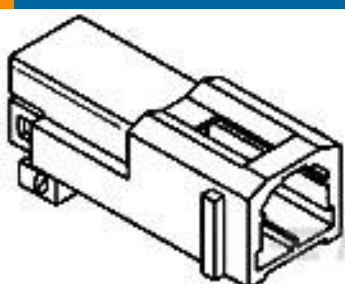
TE Part # 174931-1  
070 MLC W-W CAP HSG 8P NATURAL



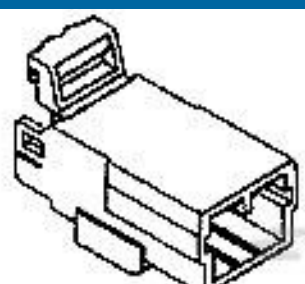
TE Part # 174932-1  
070 MLC W-W CAP HSG 10P



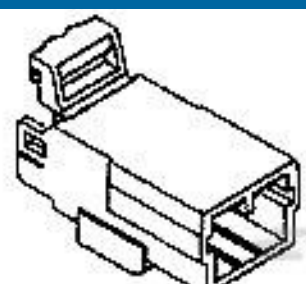
TE Part # 174460-2  
070 MULTILOCK 2P CAP HSG



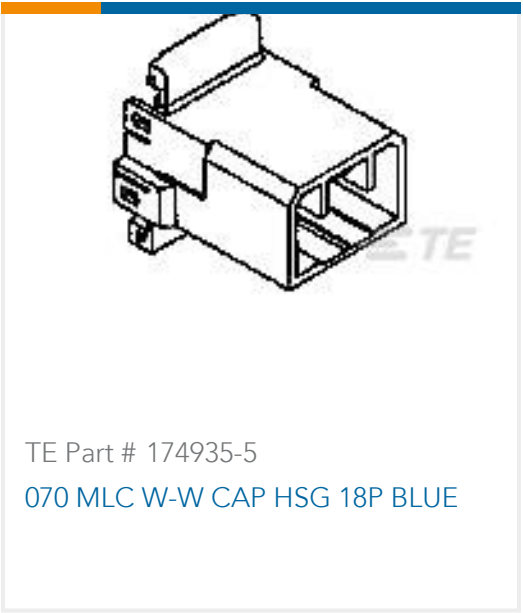
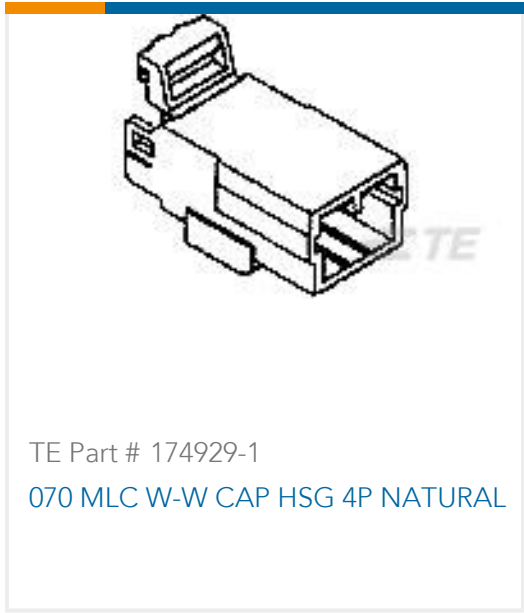
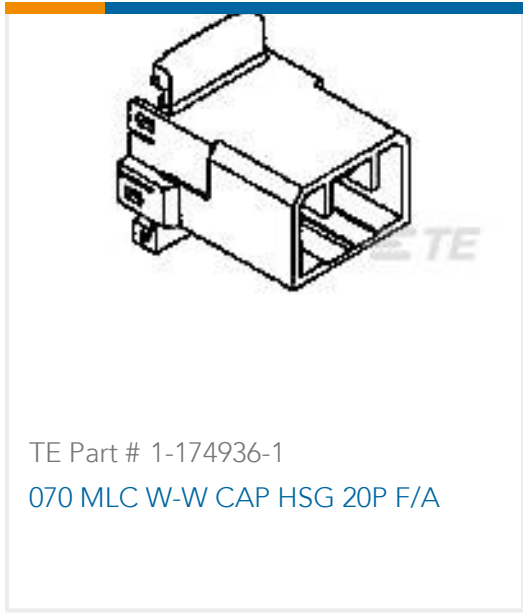
TE Part # 174460-1  
070 MULTILOCK 2P CAP HSG



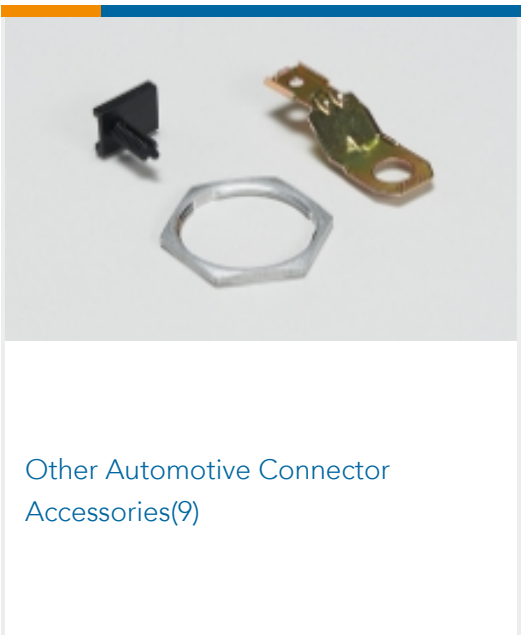
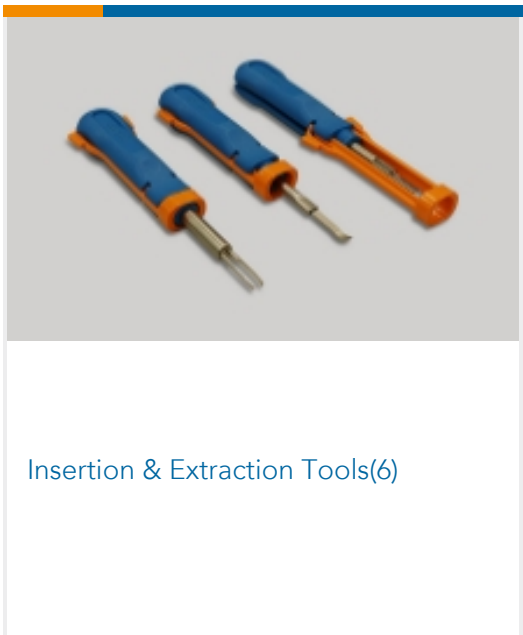
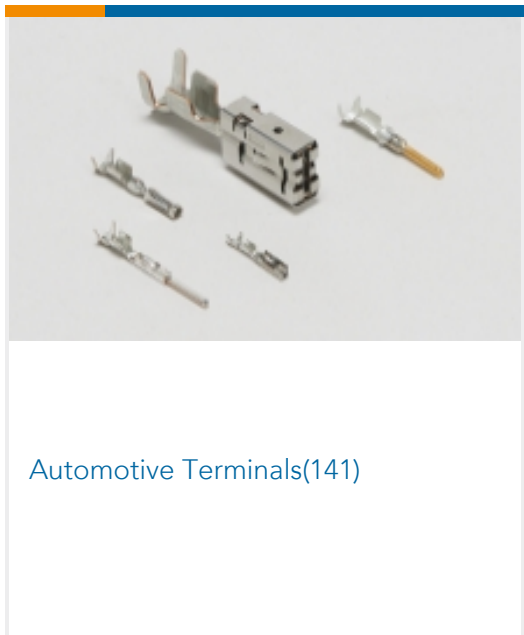
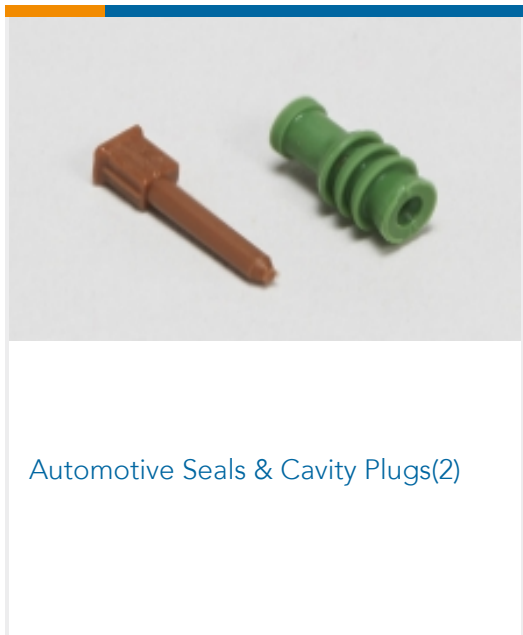
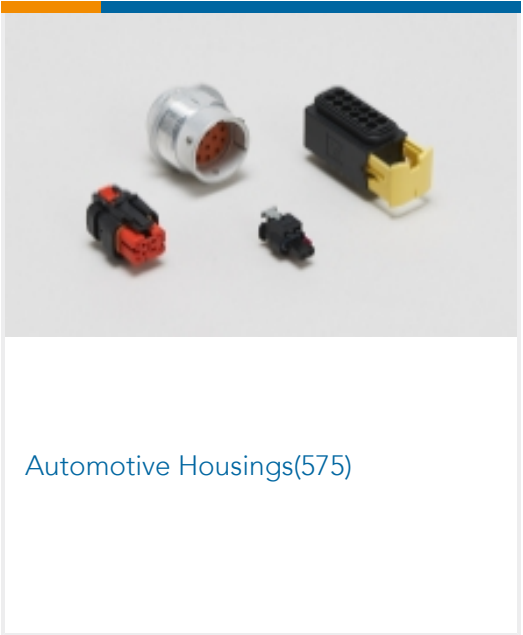
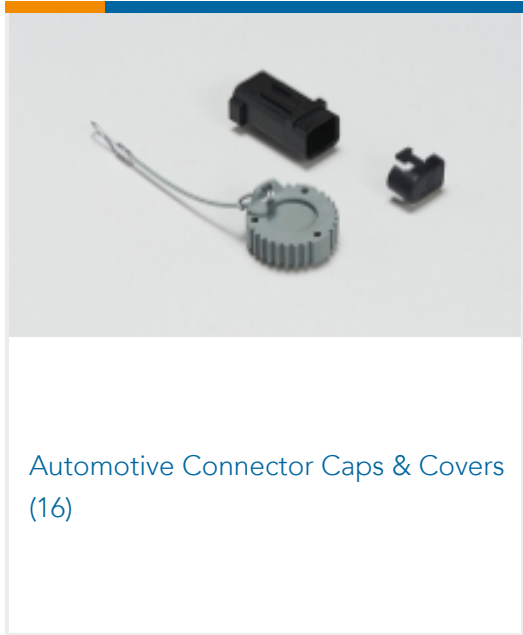
TE Part # 1-174928-1  
070 MLC W-W CAP HSG 3P F/A



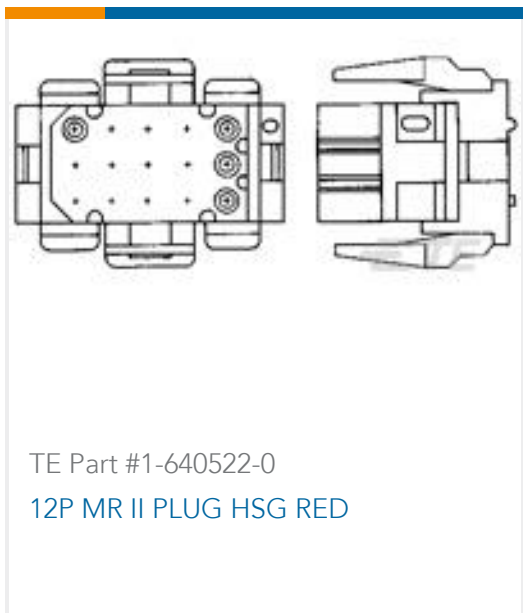
TE Part # 1-174930-1  
070 MLC W-W CAP HSG 6P F/A

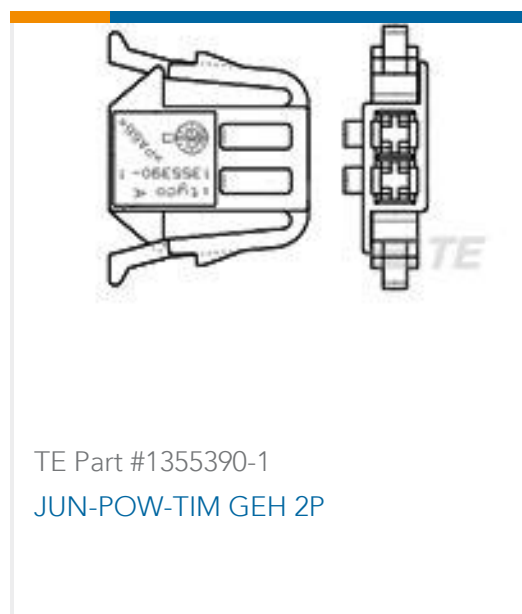


Also in the Series | **Multilock Connector System**



Customers Also Bought





TE Part #1355390-1  
JUN-POW-TIM GEH 2P



TE Part #927855-6  
PL RECEPTACLE 1.0-2.5 MM2 PTP  
CUSN 30



TE Part #928960-7  
PL 250 REC TERMINAL 11-10 AWG  
PTPB



TE Part #2-160256-1  
250 FASTON, REC., 17-14 AWG, BR



TE Part #DT06-2S-KIT  
DT06-2S AND WEG ONLY



TE Part #DT06-4S-KIT  
CONNECTOR WEG

## Documents

### Product Drawings

070 TAB CONTACT 16-20

Japanese

### CAD Files

3D PDF

3D

Customer View Model

[ENG\\_CVM\\_CVM\\_175208-1\\_E.2d\\_dxf.zip](#)

English

Customer View Model

[ENG\\_CVM\\_CVM\\_175208-1\\_E.3d\\_igs.zip](#)

English

Customer View Model

[ENG\\_CVM\\_CVM\\_175208-1\\_E.3d\\_stp.zip](#)

English

3D PDF

English

Customer View Model

[ENG\\_CVM\\_175208-1\\_A.2d\\_dxf.zip](#)

English

Customer View Model

[ENG\\_CVM\\_175208-1\\_A.3d\\_igs.zip](#)

English

Customer View Model

[ENG\\_CVM\\_175208-1\\_A.3d\\_stp.zip](#)

English



By downloading the CAD file I accept and agree to the [Terms and Conditions](#) of use.

## Datasheets & Catalog Pages

### MULTILOCK Connector System

English

## Product Specifications

### Application Specification

English

**no title**

English

## Instruction Sheets

### Instruction Sheet (non U.S.)

English

### AMP Extraction Tool P/N 755430-2 for Extraction 070 Series Cont.

English