

PLEASE CHECK WWW.MOLEX.COM FOR LATEST PART INFORMATION

Part Number: [0190020046](#)
Status: **Active**
Description: Fully Insulated Quick Disconnect, Female, Expanded Flare, Oval Barrel

Documents:

[Drawing \(PDF\)](#) [RoHS Certificate of Compliance \(PDF\)](#)

General

Product Family Quick Disconnects
 Series [19002](#)
 Product Name Avikrimp™
 Type Quick Disconnect

Physical

Barrel Type Closed
 Flammability 94V-2
 Gender Female
 Glow-Wire Compliant No
 Insulation Nylon (PA)
 Lock to Mating Part None
 Material - Metal Brass
 Orientation Straight
 Packaging Type Reel
 Polarized to Mating Part No
 Tab Thickness 0.81mm (.032")
 Tab Width 6.35mm (.250")
 Temperature Range - Operating -65°C to +105°C
 Wire Insulation Diameter 6.22mm (.245") max.
 Wire Size AWG 10
 Wire Size AWG 12
 Wire Size mm² 3.30 - 5.00

Electrical

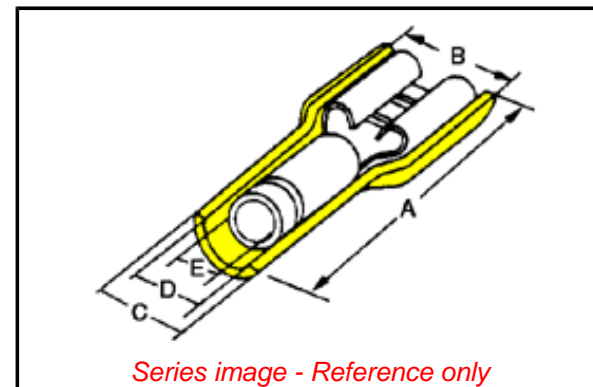
CSA LR18689
 UL E79133
 Voltage - Maximum 300V

Material Info

Old Part Number C-5265Z

Reference - Drawing Numbers

Sales Drawing SD-19002-005



EU RoHS

ELV and RoHS Compliant
REACH SVHC
 Not Reviewed
Halogen-Free Status
 Not Reviewed

China RoHS



Need more information on product environmental compliance?

Email productcompliance@molex.com
 Please visit the [Contact Us](#) section for any non-product compliance questions.

Search Parts in this Series

[19002 Series](#)

Use With

[19001-0010](#) , [19001-0011](#)

Application Tooling | FAQ

Tooling specifications and manuals are found by selecting the products below. Crimp Height Specifications are then contained in the Application Tooling Specification document.

Global

Description	Product #
Crimp Dies for the ASP-202 Air Crimping Press for Metal Strip Terminals	0192870109
Mini-Mac™ Applicator	0638812200