

175221-1 ✓ ACTIVE

AMP | Multilock Connector System

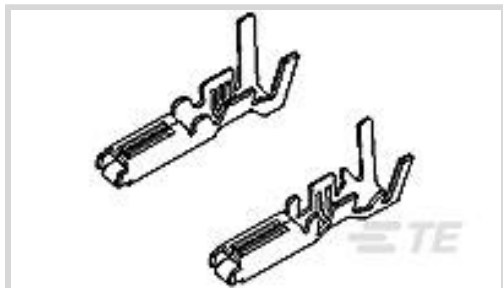
TE Internal #: 175221-1

Automotive Terminals, Receptacle, Mating Tab Width 1 mm [.039 in], Tab Thickness .025 in [.64 mm], 20 – 16 AWG Wire Size, Multilock Connector System

[View on TE.com >](#)



Terminals & Splices > Automotive Terminals > MULTILOCK, RECEPTACLE AND TAB



Terminal Type: **Receptacle**

Mating Tab Width: 1 mm [.039 in]

Mating Tab Thickness: .64 mm [.025 in]

Terminal Transmits: 0 – 24 A (Low Power)

Wire Size: 20 – 16 AWG

[All MULTILOCK, RECEPTACLE AND TAB \(143\)](#)

Features

Product Type Features

Receptacle Style	180°
Sealable	No
Primary Locking Feature	Clean Body

Contact Features

Contact Size	1.8mm
Contact Fabrication	Stamped & Formed
Typical Current Rating	14 A
Crimp Type	F-Crimp
Terminal Type	Receptacle
Mating Tab Width	1 mm [.039 in]
Mating Tab Thickness	.64 mm [.025 in]
Interface Plating	Tin (Sn)
Contact Termination Area Plating Material	Tin (Sn)

Termination Features

Termination Method to Wire & Cable	Crimp
Product Terminates To	Wire

Dimensions



Wire Size	.5 – 1.25 mm ²
Wire Size Search	16 AWG, 17 AWG, 18 AWG, 19 AWG, 20 AWG
Wire Insulation Diameter	1.2 – 2.2 mm [.047 – .086 in]

Usage Conditions

Insulation Option	Uninsulated
Operating Temperature (Max)	80 °C, 85 °C, 90 °C, 100 °C, 105 °C [176 °F][185 °F][194 °F][212 °F][221 °F]
Operating Temperature Range	-30 – 105 °C [-22 – 221 °F]

Packaging Features

Packaging Method	Reel
Packaging Quantity	2000

Other

Terminal Transmits	0 – 24 A (Low Power)
--------------------	----------------------

Product Compliance

[For compliance documentation, visit the product page on TE.com>](#)

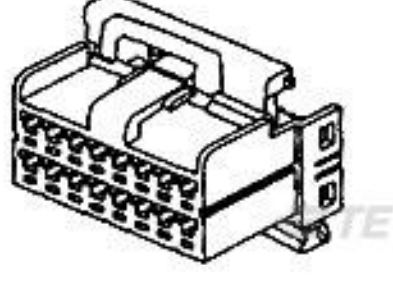
EU RoHS Directive 2011/65/EU	Compliant
EU ELV Directive 2000/53/EC	Compliant
China RoHS 2 Directive MIIT Order No 32, 2016	No Restricted Materials Above Threshold
EU REACH Regulation (EC) No. 1907/2006	Current ECHA Candidate List: JUNE 2022 (224) Candidate List Declared Against: JAN 2022 (223) SVHC > Threshold: Not Yet Reviewed
Halogen Content	Low Halogen - Br, Cl, F, I < 900 ppm per homogenous material. Also BFR/CFR/PVC Free
Solder Process Capability	Not applicable for solder process capability

Product Compliance Disclaimer

This information is provided based on reasonable inquiry of our suppliers and represents our current actual knowledge based on the information they provided. This information is subject to change. The part numbers that TE has identified as EU RoHS compliant have a maximum concentration of 0.1% by weight in homogenous materials for lead, hexavalent chromium, mercury, PBB, PBDE, DBP, BBP, DEHP, DIBP, and 0.01% for cadmium, or qualify for an exemption to these limits as defined in the Annexes of Directive 2011/65/EU (RoHS2). Finished electrical and electronic equipment products will be CE marked as required by Directive 2011/65/EU. Components may not be CE marked. Additionally, the part numbers that TE has identified as EU ELV compliant have a maximum concentration of 0.1% by weight in homogenous materials for lead, hexavalent chromium, and mercury, and 0.01% for cadmium, or qualify for an exemption to these limits

as defined in the Annexes of Directive 2000/53/EC (ELV). Regarding the REACH Regulation, the information TE provides on SVHC in articles for this part number is based on the latest European Chemicals Agency (ECHA) 'Guidance on requirements for substances in articles' posted at this URL: <https://echa.europa.eu/guidance-documents/guidance-on-reach>

Compatible Parts



TE Part # 174147-2
070 MULTILOCK PLUG 16P



TE Part # 2-2836970-1
OCEAN_2.0_Applicator-S-090F11100



TE Part # 2-2836970-2
OCEAN_2.0_Applicator-S-090F11100A



TE Part # 2836970-1
OCEAN_2.0_Applicator-S-090F11100



TE Part # 2836970-2
OCEAN_2.0_Applicator-S-090F11100A



TE Part # 7-2836970-1
OCEAN_2.0_Applicator-S-090F11100




TE Part # 7-2836970-2
OCEAN_2.0_Applicator-S-090F11100A




TE Part # 7-2836970-7
OCEAN_2.0_SPARE_PART_KIT-090F11100

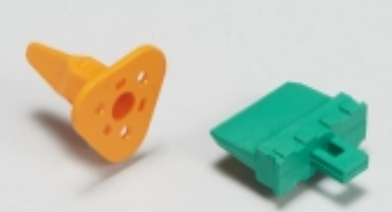
Also in the Series | Multilock Connector System




Automotive Connector Caps & Covers (16)




Automotive Connector EMC Shielding (1)



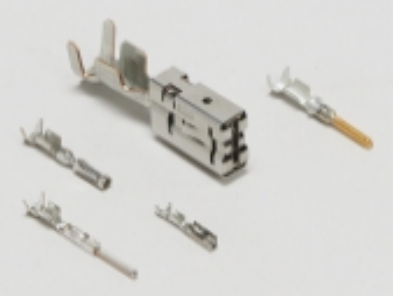
Automotive Connector Locks & Position Assurance(2)




Automotive Housings(575)



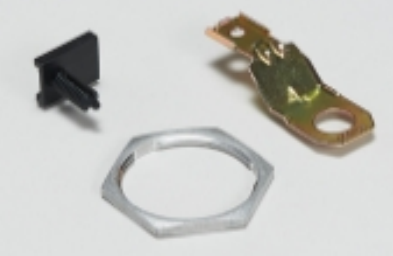
Automotive Seals & Cavity Plugs(2)



Automotive Terminals(141)



Insertion & Extraction Tools(6)

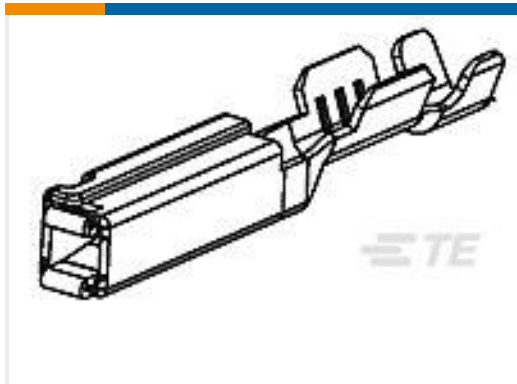
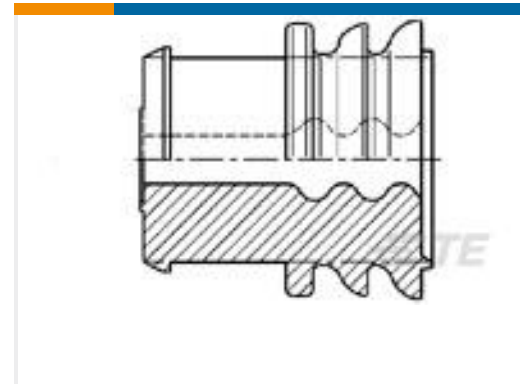


Other Automotive Connector Accessories(9)



PCB Headers & Receptacles(129)

Customers Also Bought

TE Part #1393365-2
V23540X7000Y 22=GET-FEM TERM ATE Part #963244-1
EINZELDRAHTDICHTUNGTE Part #967543-1
AMP MCP, SFC, RECEPTACLETE Part #1241404-1
AMP MCP, RECEPTACLE AND TABTE Part #173681-1
040 MLC REC CONTACTTE Part #7-1452668-2
MCON, RECEPTACLE AND TAB

Documents

Product Drawings

070 MLC REC CONT PRE TIN

English

CAD Files

3D PDF

English

Customer View Model

[ENG_CVM_175221-1_A.2d_dxf.zip](#)

English

Customer View Model

[ENG_CVM_175221-1_A.3d_igs.zip](#)

English

Customer View Model

[ENG_CVM_175221-1_A.3d_stp.zip](#)

English

By downloading the CAD file I accept and agree to the [Terms and Conditions](#) of use.



Datasheets & Catalog Pages

MULTILOCK Connector System

English

Product Specifications

Application Specification

English

Crimping .070 Series Rec Contact for Thin Wall Wires

English

Product Environmental Compliance

Product Compliance

English

Product Compliance

English