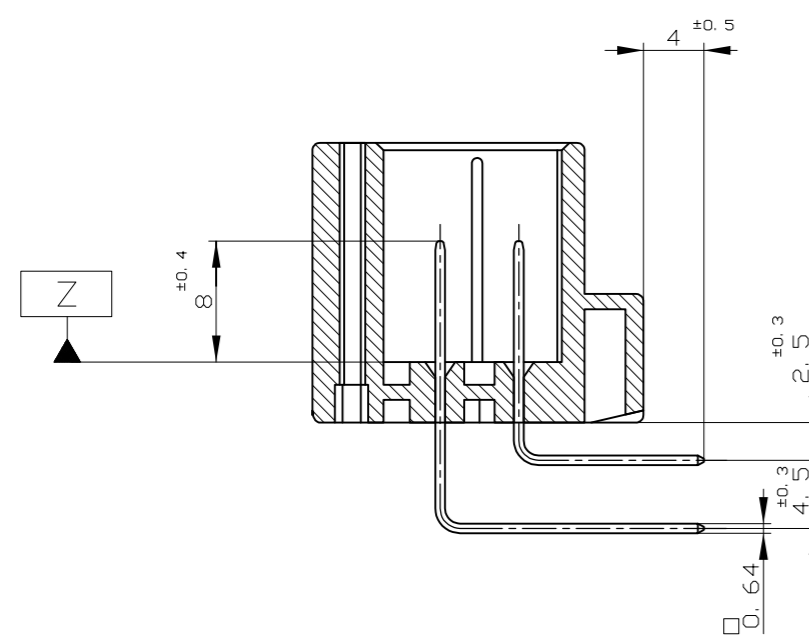
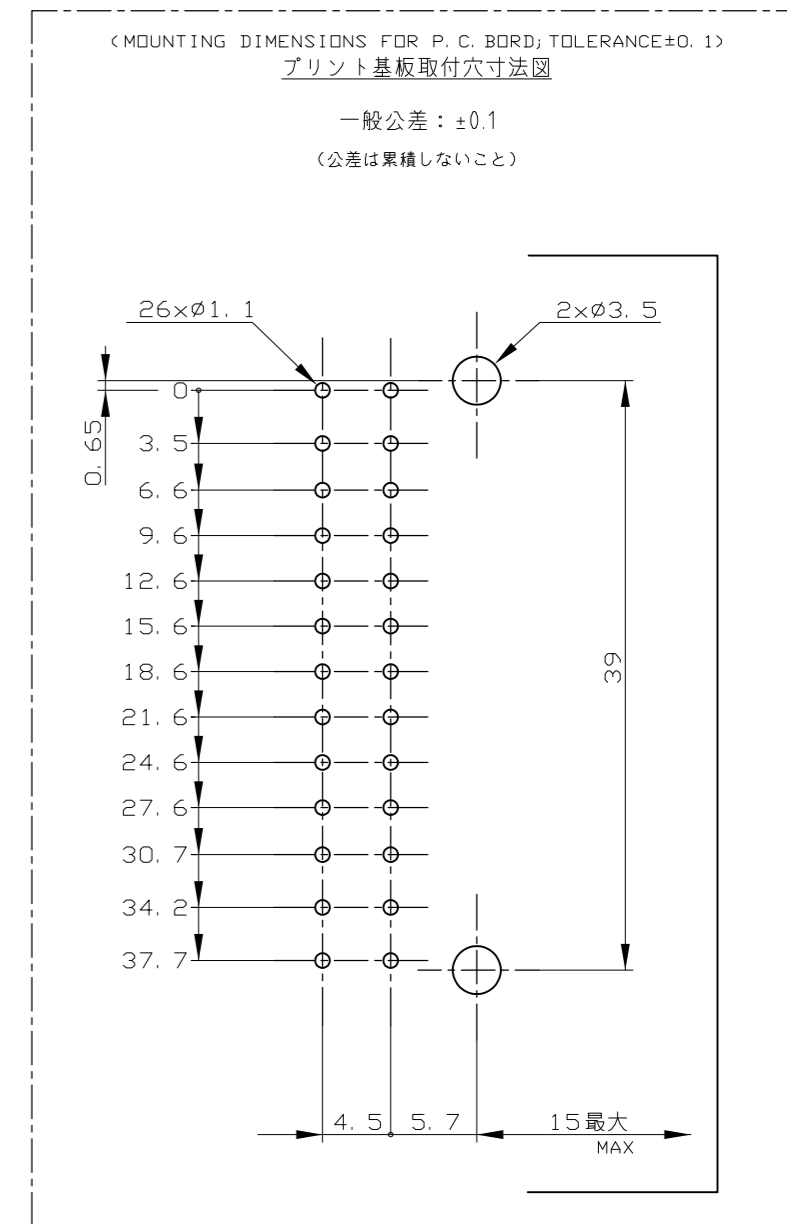
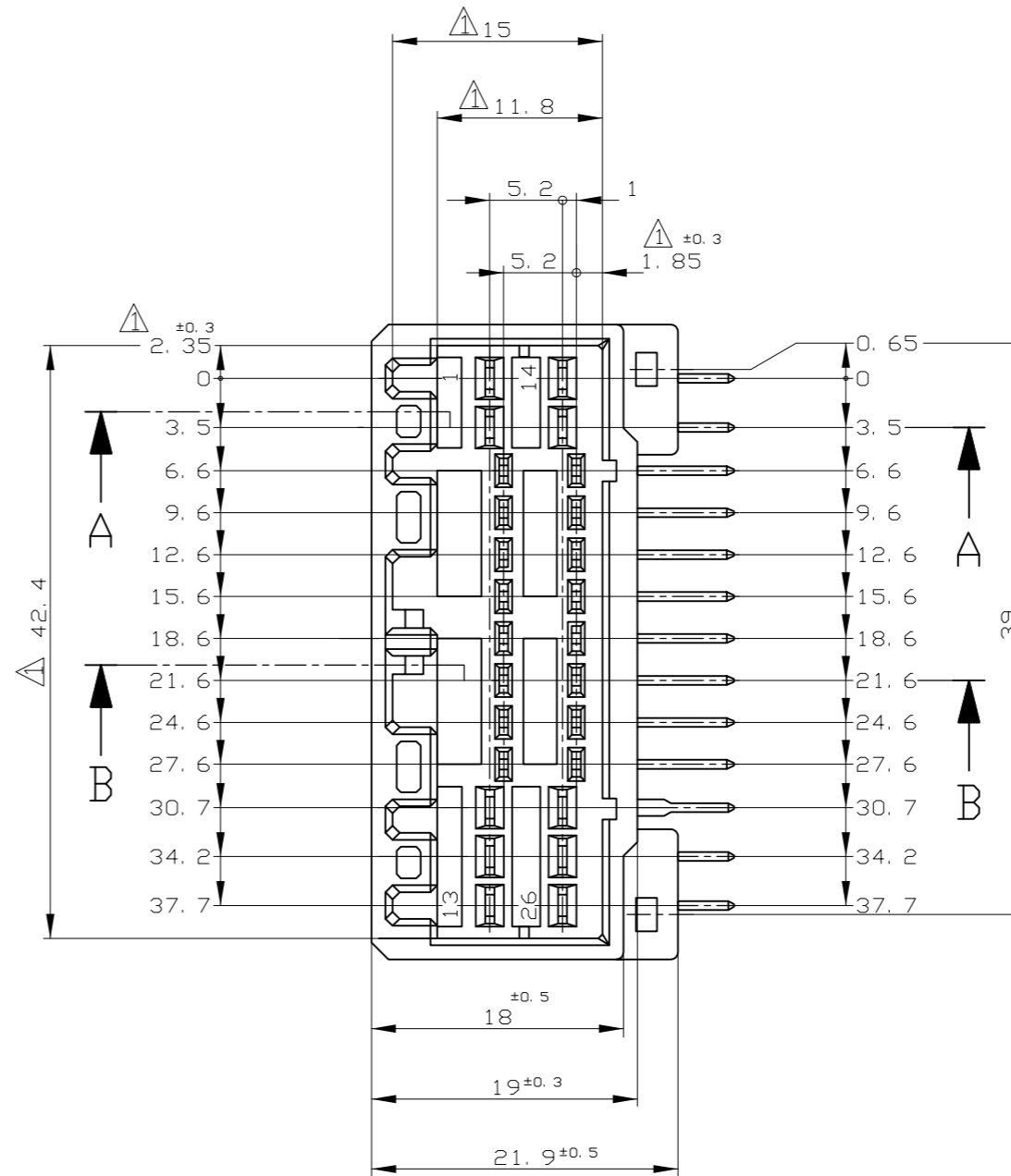
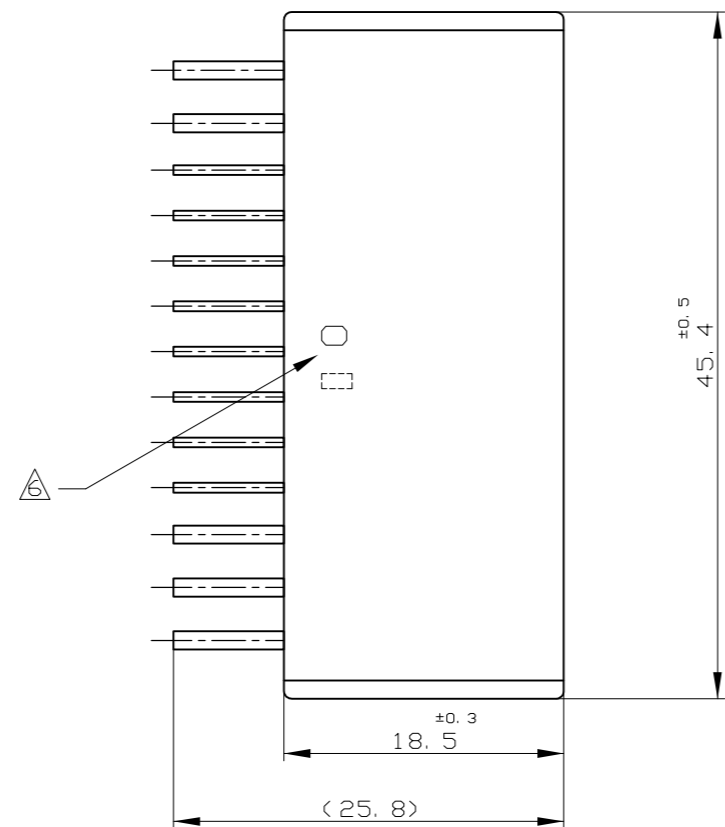
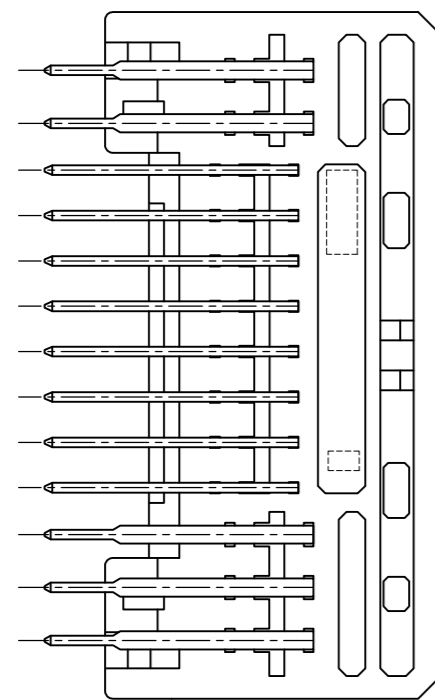
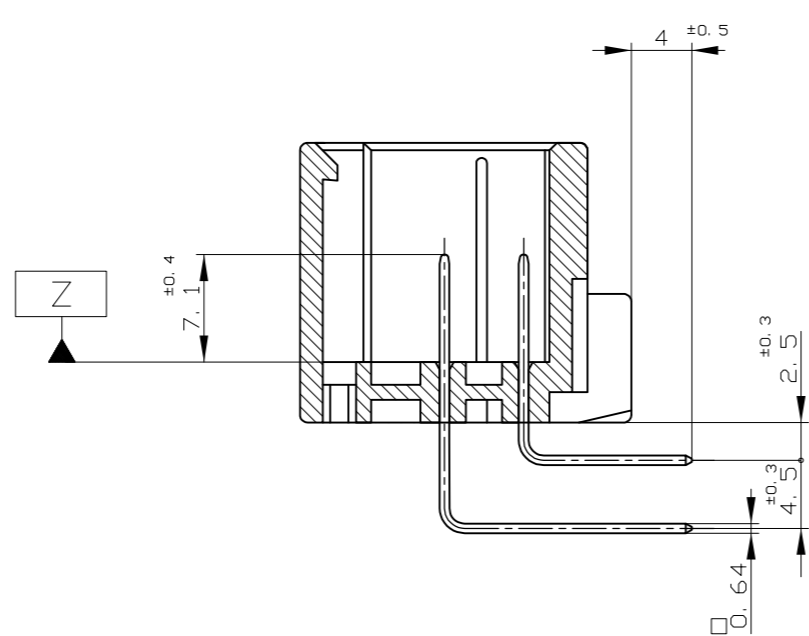


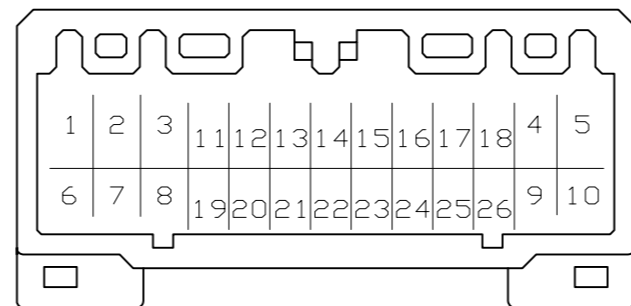
REVISIONS					
P	LTR	DESCRIPTION	DATE	DWN	APVD
F7	REVISED	変更 ECR-16-003345	01JUN2017	KF	TK



A-A



B-B



- △1. MUST BE KEPT BETWEEN [Z] AND 2
- 2. THE MATING PLUG HSG.PART NUMBER: 174516, 917992
- 3. RECOMMENDED MOUNTING SCREW; 3mm DIA, 6mm LENGTH (MAX.)
PAN HEAD, CLASS 2 TAPPING SCREW SPECIFIED IN JIS B1115, B1122
(TIGHTENING TORQUE: 0.4N-m (4Kg-cm) MAX)
- 4. APPLICABLE PRODUCT SPEC NO.: 108-5280, 108-5342
- △5. CIRCUIT NUMBER
POWER CIRCUIT NO. ① ~ ⑩
SIGNAL CIRCUIT NO. ⑪ ~ ⑳
- △6. INDICATED PREFIX AND ID MARK OF PRODUCT P/N BY HOT MARK

- △1. [Z] 面から2mmの範囲で測定
- 2. 嵌合相手ハウジング型: 174516, 917992
- 3. 推奨取付ねじ: JIS B1115, B1122 タッピングねじ, なべ2種
呼び径3, 長さ6mm以下 (締付けトルク: 0.4N-m (4kg-cm) 以下)
- 4. 適用製品規格番号: 108-5280, 108-5342
- △5. 回路番号: 上図参照のこと
パワー回路 ① ~ ⑩
シグナル回路 ⑪ ~ ⑳
- △6. 適用製品型番のアリフィックス及びIDマークを
カフ-ホットマークにて表示

54	SELECTIVE-TIN (MATTE) PRE-TINNED (錫めっき) × 24	SELECTIVE GOLD (部分金めっき) × 2	---	⑭, ⑳	GRAY 灰色	4-5178811-6
52	SELECTIVE-TIN (MATTE) PRE-TINNED (錫めっき) × 20	SELECTIVE GOLD (部分金めっき) × 6	⑨	⑰, ⑱, ㉔ ~ ㉒	GRAY 灰色	2-5178811-6
54	SELECTIVE-TIN (MATTE) PRE-TINNED (錫めっき) × 24	SELECTIVE GOLD (部分金めっき) × 2	---	⑭, ⑳	NATURAL 自然色	4-5178811-1
53	SELECTIVE-TIN (MATTE) PRE-TINNED (錫めっき) × 10	SELECTIVE GOLD (部分金めっき) × 16	---	⑪ ~ ㉒	BLACK 黒色	3-5178811-2
4	TIN-LEAD PRE-TINNED (錫めっき) × 24	SELECTIVE GOLD (部分金めっき) × 2	---	⑭, ⑳	GRAY 灰色	4-178811-6
4	TIN-LEAD PRE-TINNED (錫めっき) × 24	SELECTIVE GOLD (部分金めっき) × 2	---	⑭, ⑳	NATURAL 自然色	4-178811-1
2	TIN-LEAD PRE-TINNED (錫めっき) × 20	SELECTIVE GOLD (部分金めっき) × 6	⑨	⑰, ⑱, ㉔ ~ ㉒	GRAY 灰色	2-178811-6
0	PRE-TINNED 錫メッキ × 26		---	---	YELLOW 黄色	178811-7
0	PRE-TINNED 錫メッキ × 26		---	---	GRAY 灰色	178811-6
5	SELECTIVE-TIN (MATTE) 部分錫めっき	SELECTIVE GOLD (部分金めっき) × 26	① ~ ⑩	⑪ ~ ㉒	GRAY 灰色	178811-3
1	SELECTIVE-TIN (MATTE) 部分錫めっき	SELECTIVE-TIN (錫めっき) × 26	---	---	NATURAL 自然色	178811-2
0	PRE-TINNED 錫メッキ × 26		---	---	NATURAL 自然色	178811-1
MARKING マーキング	SOLDERING SIDE 半田付け部	CONTACT SIDE 接触部側	POWER CIRCUIT NO. パワー回路	SIGNAL CIRCUIT NO. シグナル回路	HOUSING COLOR ハウジング色	PART NO
FINISH OF CONTACT タブ仕上 (本数)			CIRCUIT NO. OF GOLD PLATED CONTACT 全メッキ端子使用回路番号			

TOLERANCES UNLESS OTHERWISE SPECIFIED:

0 < x < 10:	±0.2
10 < x < 30:	±0.25
30 < x < 100:	±0.3
ANGLES:	±3°

THIS DRAWING IS A CONTROLLED DOCUMENT.

DIMENSIONS:	TOLERANCES UNLESS OTHERWISE SPECIFIED:
単位: 寸	一般公差
mm	0 PLC ±
	1 PLC ±
	2 PLC ±
	3 PLC ±
	4 PLC ±
	ANGLES ±
MATERIAL	FINISH
材料	仕上
HOUSING: PBT	SEE TABLE
CONTACT: BRASS	表参照

DWN M.KADOSAKI 17MAY05		26POSITION CAP HOUSING ASSEMBLY 040/070 HYBRID I/O CONNECTOR	SIZE A2	CAGE CODE 00779	DRAWING NO C=178811	RESTRICTED TO -
CHK T.SHINOHARA 17MAY05						
APVD K.BETSUI 17MAY05						
PRODUCT SPEC 製品規格						
APPLICATION SPEC 取付適用規格	WEIGHT	SCALE 尺度 2:1	SHEET 1 of 1	REV F7		