



Europa

TE Internal #: 1776294-2

Barrier Strips, Wire-to-Wire, 2 Position, 8 mm [.315 in] Centerline, 1 Row, 250 V, 24 – 12 AWG Wire Size, .2 – 3 mm² Wire Size, Wire & Cable, Power

[View on TE.com >](#)

Connectors > Terminal Blocks & Strips > Barrier Strips



Connector System: **Wire-to-Wire**

Number of Positions: **2**

Centerline (Pitch): **8 mm [.315 in]**

Number of Rows: **1**

Voltage Rating: **250 V**

Features

Product Type Features

Product Type	Barrier Strip
Connector System	Wire-to-Wire
Connector & Contact Terminates To	Wire & Cable

Configuration Features

Number of Levels	1
Number of Positions	2
Number of Rows	1

Electrical Characteristics

Current Rating (Max)	30 A
Voltage Rating	250 V

Body Features

Color	Natural
-------	---------

Contact Features

Terminal Material	Brass
Terminal Plating Material	Tin
Contact Current Rating (Max)	30 A

Mechanical Attachment

Screw Plating Material	Zinc Chromate
------------------------	---------------



Screw Material	Steel
Screw Size	M3
Connector Mounting Type	Panel Mount

Housing Features

Housing Material	Polyamide 6
Centerline (Pitch)	8 mm [.315 in]

Dimensions

Length	14 mm [.55 in]
Wire Size	.2 – 3 mm ²

Usage Conditions

Operating Temperature Range	-35 – 100 °C [-31 – 212 °F]
-----------------------------	-----------------------------

Operation/Application

Circuit Application	Power
---------------------	-------

Industry Standards

UL Flammability Rating	UL 94V-2
------------------------	----------

Packaging Features

Packaging Quantity	1
Packaging Method	Package

Product Compliance

For compliance documentation, visit the product page on [TE.com](https://www.te.com)>

EU RoHS Directive 2011/65/EU	Compliant with Exemptions
EU ELV Directive 2000/53/EC	Compliant with Exemptions
China RoHS 2 Directive MIIT Order No 32, 2016	Restricted Materials Above Threshold
EU REACH Regulation (EC) No. 1907/2006	Current ECHA Candidate List: JUNE 2022 (224) Candidate List Declared Against: JAN 2022 (223) SVHC > Threshold: Pb (3% in Component Part) Article Safe Usage Statements: Do not eat, drink or smoke when using this product. Wash thoroughly after handling. Recycle if possible and dispose of the article by following all applicable governmental regulations relevant to your geographic location.
Halogen Content	Low Halogen - Br, Cl, F, I < 900 ppm per homogenous material. Also BFR/CFR/PVC Free



Solder Process Capability

Not applicable for solder process capability

Product Compliance Disclaimer

This information is provided based on reasonable inquiry of our suppliers and represents our current actual knowledge based on the information they provided. This information is subject to change. The part numbers that TE has identified as EU RoHS compliant have a maximum concentration of 0.1% by weight in homogenous materials for lead, hexavalent chromium, mercury, PBB, PBDE, DBP, BBP, DEHP, DIBP, and 0.01% for cadmium, or qualify for an exemption to these limits as defined in the Annexes of Directive 2011/65/EU (RoHS2). Finished electrical and electronic equipment products will be CE marked as required by Directive 2011/65/EU. Components may not be CE marked. Additionally, the part numbers that TE has identified as EU ELV compliant have a maximum concentration of 0.1% by weight in homogenous materials for lead, hexavalent chromium, and mercury, and 0.01% for cadmium, or qualify for an exemption to these limits as defined in the Annexes of Directive 2000/53/EC (ELV). Regarding the REACH Regulation, the information TE provides on SVHC in articles for this part number is based on the latest European Chemicals Agency (ECHA) 'Guidance on requirements for substances in articles' posted at this URL: <https://echa.europa.eu/guidance-documents/guidance-on-reach>

Compatible Parts



TE Part # 1776293-2
TSB23002DS=EUROPA TERM BLK, 8MM



TE Part # 1776295-2
TSB23002DSHT=EUROPA TM BLK, 8MM

Customers Also Bought



TE Part #4-1393250-2
W28-XQ1A-9=W28



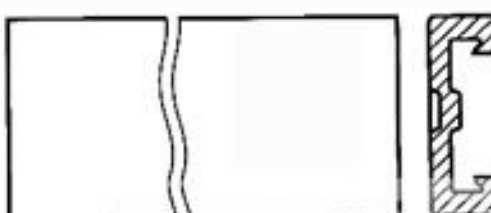
TE Part #3-640604-5
05P MTA156 CONN ASSY 18AWG LF




TE Part #1643279-1
259-83-00500=TA HOOD,#8,BLACK



TE Part #3-644040-5
05P MTA100 CONN ASSY POL LF



TE Part #640642-5
05P MTA100 COVER F/T



TE Part #2-32944-1
PG R 22-16 COMM 22-18 MIL 4



ANVIL
REPRESENTATION ONLY

TE Part #2-1803293-0
ANVIL, COMBINATION DEUTCH STYLE



KIT
REPRESENTATION ONLY

TE Part #7-2150787-7
OCEAN_2.0_SPARE_PART_KIT-080F1400

Documents

Product Drawings

TSB23002=EUROPA TERM BLK,8MM



English

[Datasheets & Catalog Pages](#)

[BUCHANAN TERMINAL BLOCKS CATALOG - EUROPA TERMINAL BLOCKS](#)

English