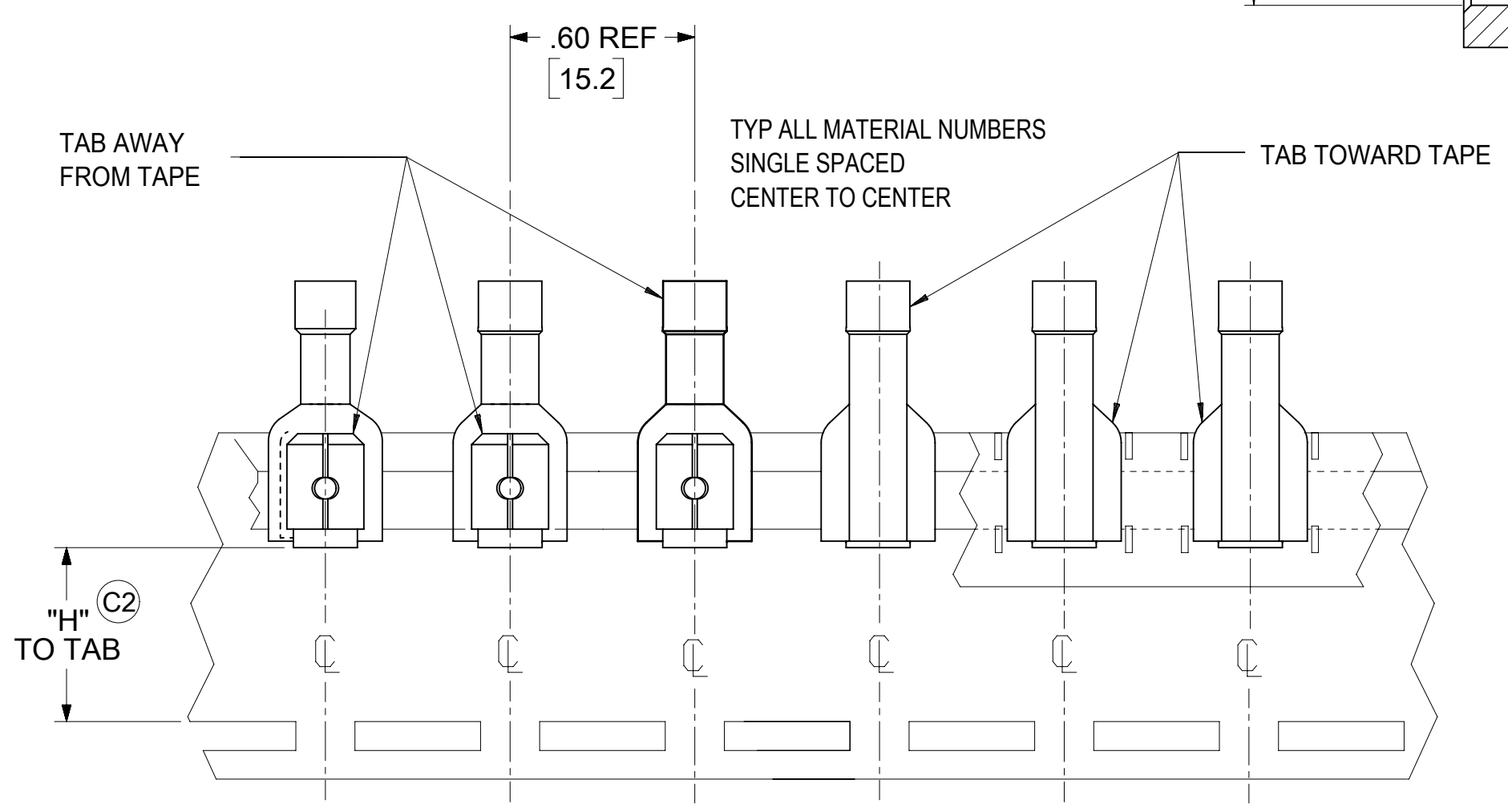
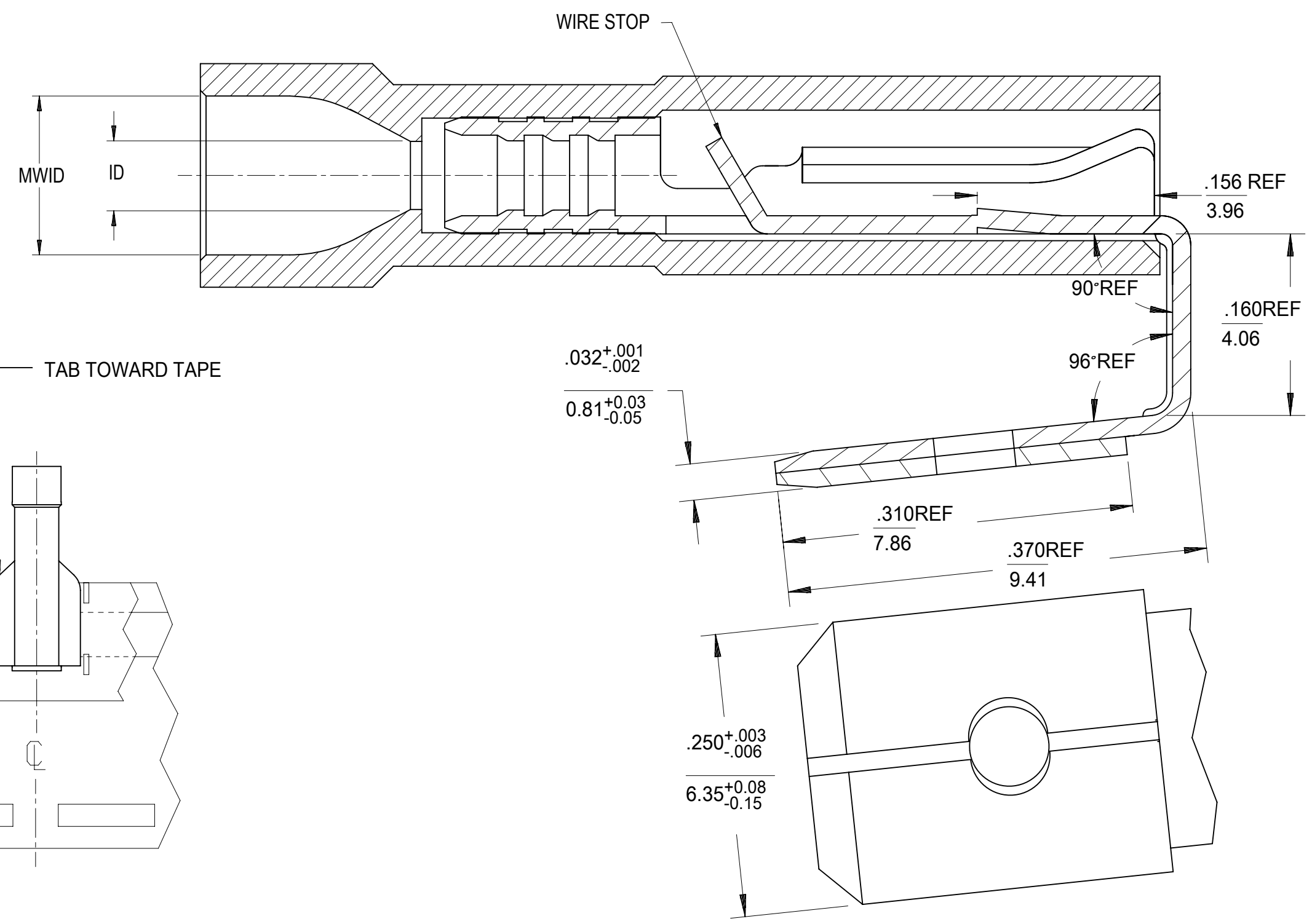
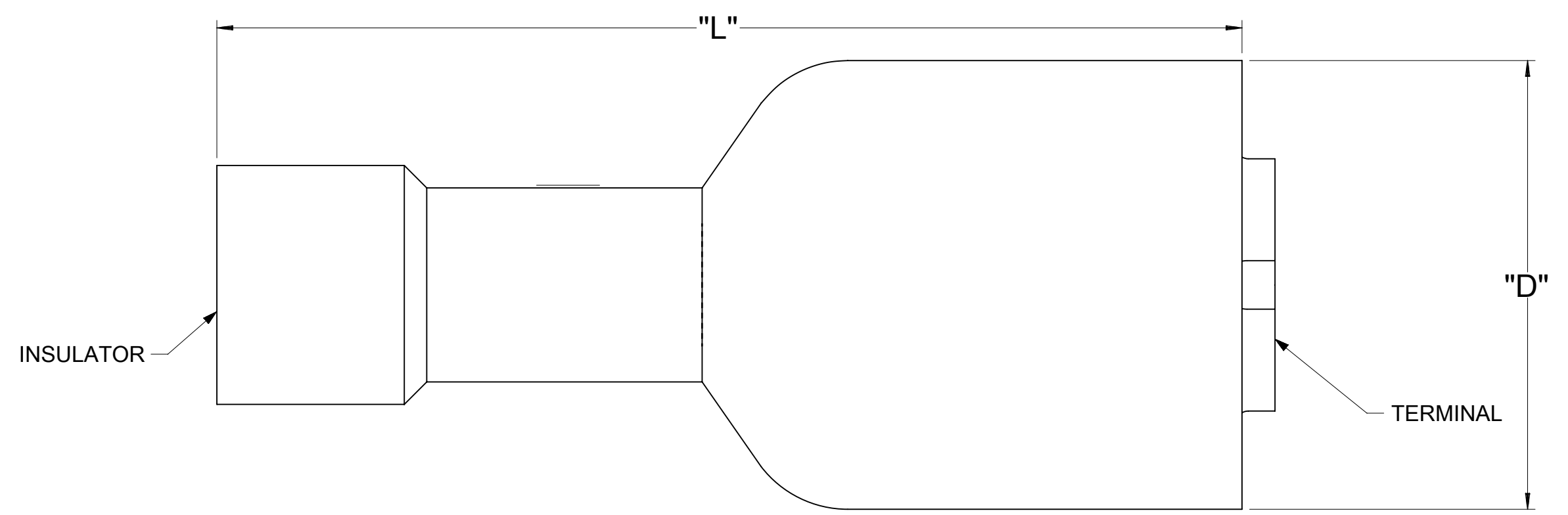


MATERIAL NO. LOOSE PC	ENGINEERING NO. LOOSE PC	MATERIAL NO. ON TAPE	ENGINEERING NO. ON TAPE	WIRE SIZE	INSULATOR COLOR	ID MIN REF	MWID	D MAX	L MAX	"H" NOMINAL	BARE TAB POSITION
190130025	AA-2317	190130026	AA-2317T	22-18 AWG	RED	.056/1.42	.138/3.50	.380/9.65	.860/21.84	.56/14.2	AWAY FROM TAPE
190130029	BB-2318	190130030	BB-2318T	16-14 AWG	BLUE	.081/2.06	.159/4.04	.380/9.65	.860/21.84	.56/14.2	AWAY FROM TAPE
190130033	C-2319	190130034	C-2319T	12-10 AWG	YELLOW	.147/3.73	.277/7.03	.380/9.65	1.030/26.162	.53/13.5	TOWARD TAPE



PARTS ON TAPE (SCALE 2:1)

- NOTES:
1. TERMINAL MATERIAL: BRASS
 2. TERMINAL FINISH: TIN PLATED
 3. INSULATOR MATERIAL: NYLON
 4. MWID = MAXIMUM WIRE INSULATION DIAMETER.
 5. ASSEMBLY IS RoHS COMPLIANT.

THIS DRAWING CONTAINS INFORMATION THAT IS PROPRIETARY TO MOLEX ELECTRONIC TECHNOLOGIES, LLC AND SHOULD NOT BE USED WITHOUT WRITTEN PERMISSION											
SYMBOLS		DIMENSION UNITS		SCALE		CURRENT REV DESC: DIM TO TAB, NOT CURL					
= 0		IN/MM		10:1		<p>EC NO: 605784</p> <p>DRWN: DMYRICK 2018/10/10</p> <p>CHK'D: GROJAS01 2018/10/11</p> <p>APPR: GROJAS01 2018/10/11</p> <p>INITIAL REVISION:</p> <p>DRWN: BRE 2003/03/19</p> <p>APPR: RWD 2003/03/19</p>					
= 0		GENERAL TOLERANCES (UNLESS SPECIFIED)									
= 0		MM		INCH							
= 0		4 PLACES ±		±							
= 0		3 PLACES ±		±							
= 0		2 PLACES ±		±							
= 0		1 PLACE ±		±							
= 0		0 PLACES ±		±							
= 0		ANGULAR TOL ± °		°							
= 0		DRAFT WHERE APPLICABLE MUST REMAIN WITHIN DIMENSIONS		THIRD ANGLE PROJECTION		DRAWING		SERIES		MATERIAL NUMBER	
= 0						C-SIZE		19013		SEE CHART	
										CUSTOMER	
										GENERAL MARKET	
										SHEET NUMBER	
										1 OF 1	

molex

PIGGYBACK FIQD,
.250 X .032 TAB, INSULKRIMP

PRODUCT CUSTOMER DRAWING

DOCUMENT NUMBER	DOC TYPE	DOC PART	REVISION
SD-19013-001	PSD	001	C2