

175197-2 ✓ ACTIVE

AMP | Multilock Connector System

TE Internal #: 175197-2

Automotive Terminals, Receptacle, Mating Tab Width 1 mm [.039 in], Tab Thickness .025 in [.64 mm], 20 – 16 AWG Wire Size, Multilock Connector System

[View on TE.com >](#)



Terminals & Splices > Automotive Terminals > MULTILOCK, RECEPTACLE AND TAB



Terminal Type: **Receptacle**

Mating Tab Width: **1 mm [.039 in]**

Mating Tab Thickness: **.64 mm [.025 in]**

Terminal Transmits: **0 – 24 A (Low Power)**

Wire Size: **20 – 16 AWG**

[All MULTILOCK, RECEPTACLE AND TAB \(143\)](#)

Features

Product Type Features

Receptacle Style	180°
Sealable	No
Primary Locking Feature	Clean Body

Contact Features

Contact Size	1mm
Contact Fabrication	Stamped & Formed
Crimp Type	F-Crimp
Terminal Type	Receptacle
Mating Tab Width	1 mm[.039 in]
Mating Tab Thickness	.64 mm[.025 in]
Interface Plating	Gold (Au)
Contact Termination Area Plating Material	Gold (Au)

Termination Features

Termination Method to Wire & Cable	Crimp
Product Terminates To	Wire

Dimensions

Wire Size	.5 – 1.25 mm ²
-----------	---------------------------



Wire Size Search	16 AWG, 17 AWG, 18 AWG, 19 AWG, 20 AWG
------------------	--

Wire Insulation Diameter	1.6 – 2.2 mm
--------------------------	--------------

Usage Conditions

Insulation Option	Uninsulated
-------------------	-------------

Operating Temperature (Max)	80 °C, 85 °C, 90 °C, 100 °C, 105 °C, 110 °C, 120 °C [176 °F] [185 °F] [194 °F] [212 °F] [221 °F] [230 °F] [248 °F]
-----------------------------	--

Operating Temperature Range	-40 – 120 °C [-40 – 248 °F]
-----------------------------	-----------------------------

Packaging Features

Packaging Method	Reel
------------------	------

Packaging Quantity	5000
--------------------	------

Other

Terminal Transmits	0 – 24 A (Low Power)
--------------------	----------------------

Product Compliance

[For compliance documentation, visit the product page on TE.com>](#)

EU RoHS Directive 2011/65/EU	Compliant
------------------------------	-----------

EU ELV Directive 2000/53/EC	Compliant
-----------------------------	-----------

China RoHS 2 Directive MIIT Order No 32, 2016	No Restricted Materials Above Threshold
---	---

EU REACH Regulation (EC) No. 1907/2006	Current ECHA Candidate List: JUNE 2022 (224) Candidate List Declared Against: JAN 2022 (223) SVHC > Threshold: Not Yet Reviewed
--	--

Halogen Content	Low Halogen - Br, Cl, F, I < 900 ppm per homogenous material. Also BFR/CFR/PVC Free
-----------------	---

Solder Process Capability	Not applicable for solder process capability
---------------------------	--

Product Compliance Disclaimer

This information is provided based on reasonable inquiry of our suppliers and represents our current actual knowledge based on the information they provided. This information is subject to change. The part numbers that TE has identified as EU RoHS compliant have a maximum concentration of 0.1% by weight in homogenous materials for lead, hexavalent chromium, mercury, PBB, PBDE, DBP, BBP, DEHP, DIBP, and 0.01% for cadmium, or qualify for an exemption to these limits as defined in the Annexes of Directive 2011/65/EU (RoHS2). Finished electrical and electronic equipment products will be CE marked as required by Directive 2011/65/EU. Components may not be CE marked. Additionally, the part numbers that TE has identified as EU ELV compliant have a maximum concentration of 0.1% by weight in homogenous materials for lead, hexavalent chromium, and mercury, and 0.01% for cadmium, or qualify for an exemption to these limits as defined in the Annexes of Directive 2000/53/EC (ELV). Regarding the REACH Regulation, the information TE provides

on SVHC in articles for this part number is based on the latest European Chemicals Agency (ECHA) 'Guidance on requirements for substances in articles' posted at this URL: <https://echa.europa.eu/guidance-documents/guidance-on-reach>

Compatible Parts



TE Part # 2305570-1
TERMINAL CUTTER, SIDE FEED



TE Part # CAT-M9194-CH8172
MULTILOCK, CONNECTOR HOUSING



TE Part # 2-2151994-1
OC-PA-S-FM-070F0900-001-0260



TE Part # 2-2151994-2
OC-PA-S-FA-070F0900-001-0260



TE Part # 2151994-1
OC-AT-S-FM-070F0900-001-0260



TE Part # 2151994-2
OC-AT-S-FA-070F0900-001-0260




KIT
TE Part # 7-2151994-7
OC-070F0900-CRIMPTOOLINGKIT



TE Part # 6-177504-6
ML 040 40P PLUG ASSY

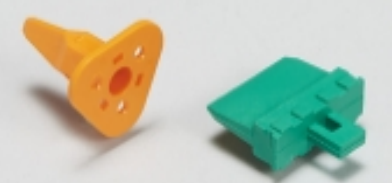
Also in the Series | Multilock Connector System




Automotive Connector Caps & Covers (16)




Automotive Connector EMC Shielding (1)




Automotive Connector Locks & Position Assurance(2)




Automotive Housings(575)




Automotive Seals & Cavity Plugs(2)



Automotive Terminals(141)



Insertion & Extraction Tools(6)

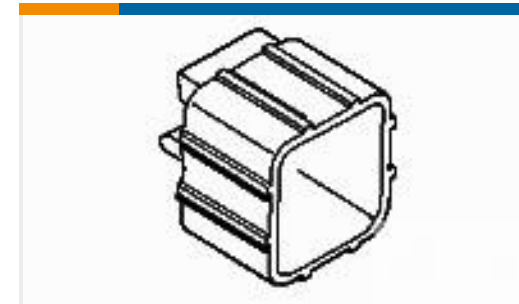
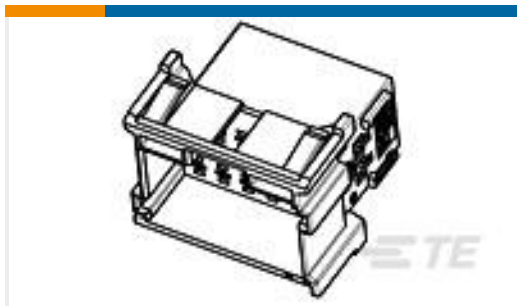


Other Automotive Connector Accessories(9)



PCB Headers & Receptacles(129)

Customers Also Bought

TE Part #1-281695-0
HEADER HE14 STRAIGHT 10 PTE Part #207152-1
6 POS SQ GRID METRIMATE-PLUGTE Part #1-174260-1
ECONO-J MK-2 LOCK PLATE CAP 4PTE Part #770987-3
MINI UMNL PIN 22-18 AWG AU LPTE Part #1-967627-5
FLACHSTE-GEH2,8 12PTE Part #969042-1
SPT A REC 6.3 Contact SWS SnTE Part #2040105-1
0.50/1.0/2.8 SEALED PLUG ASSY
114POSTE Part #178080-1
IMPUL PLUG CONN 88PTE Part #316013-6
040 PAIR MATE PLUG HSG ASY 16P

Documents

Product Drawings

040 REC FOR 120P ECU CONN

English

CAD Files

Customer View Model

ENG_CVM_175197-2_C.3d_igs.zip

English

Customer View Model



[ENG_CVM_175197-2_C.3d_stp.zip](#)

English

Customer View Model

[ENG_CVM_175197-2_C.2d_dxf.zip](#)

English

3D PDF

English

By downloading the CAD file I accept and agree to the [Terms and Conditions](#) of use.

Datasheets & Catalog Pages

MULTILOCK Connector System

English

Product Specifications

Application Specification

English

CRIMPING .040 SERIES, RECEPTACLE CONTACTS FOR 120-POS. SEALED PAIR MATE CONNECTOR

English

CRIMPING .040 SERIES, RECEPTACLE CONTACTS FOR 120-POS. SEALED PAIR MATE CONNECTOR

Japanese

Application Specification

Japanese

Agency Approvals

TUV Certificate

English