

177766-1 ✓ ACTIVE

ELECTRO-TAP

TE Internal #: 177766-1

Splices, 24 – 22 AWG Wire Size, .2 – .4 mm² Wire Size, 404 – 643 CMA Wire Size, Brass, Tap Splice Splice, Length .472 in [12 mm], Bag, ELECTRO-TAP

[View on TE.com >](#)



Terminals & Splices > Splices



Wire Size: 404 – 643 CMA

Sealable: No

Accepts Wire Insulation Diameter Range: 4 mm [.157 in]

Features

Product Type Features

Splice Accessory Type	Tap Cover
Sealable	No
Splice Type	Tap Splice
Serrated	No
Compatible With Discrete Wire Type	Solid, Stranded
Wire Insulation Support Retention Type	Insulation Support

Configuration Features

Compatible With Wire & Cable Type	Discrete Wire
-----------------------------------	---------------

Body Features

Weight per Piece	.877 g
Primary Product Material	Brass

Contact Features

Contact Plating Material	Tin
--------------------------	-----

Housing Features

Housing Material	Nylon - GF
------------------	------------



Dimensions

Tap Wire Size	.18 – .36 mm ²
Wire Size	404 – 643 CMA
Accepts Wire Insulation Diameter Range	4 mm [.157 in]
Overall Product Length	12 mm [.472 in]

Usage Conditions

Insulation Option	Fully Insulated
Operating Temperature Range	105 °C [221 °F]

Operation/Application

Heavy Duty	No
Compatible With Wire Base Material	Copper

Industry Standards

Government Qualified Splice	No
-----------------------------	----

Packaging Features

Packaging Quantity	500
Packaging Method	Bag

Product Compliance

[For compliance documentation, visit the product page on TE.com>](#)

EU RoHS Directive 2011/65/EU	Compliant
EU ELV Directive 2000/53/EC	Compliant
China RoHS 2 Directive MIIT Order No 32, 2016	No Restricted Materials Above Threshold
EU REACH Regulation (EC) No. 1907/2006	Current ECHA Candidate List: JUNE 2022 (224) Candidate List Declared Against: JAN 2022 (223) SVHC > Threshold: Not Yet Reviewed
Halogen Content	Low Halogen - Br, Cl, F, I < 900 ppm per homogenous material. Also BFR/CFR/PVC Free
Solder Process Capability	Not applicable for solder process capability

Product Compliance Disclaimer

This information is provided based on reasonable inquiry of our suppliers and represents our current actual knowledge based on the information they provided. This information is subject to change. The part numbers that TE has identified as

EU RoHS compliant have a maximum concentration of 0.1% by weight in homogenous materials for lead, hexavalent chromium, mercury, PBB, PBDE, DBP, BBP, DEHP, DIBP, and 0.01% for cadmium, or qualify for an exemption to these limits as defined in the Annexes of Directive 2011/65/EU (RoHS2). Finished electrical and electronic equipment products will be CE marked as required by Directive 2011/65/EU. Components may not be CE marked. Additionally, the part numbers that TE has identified as EU ELV compliant have a maximum concentration of 0.1% by weight in homogenous materials for lead, hexavalent chromium, and mercury, and 0.01% for cadmium, or qualify for an exemption to these limits as defined in the Annexes of Directive 2000/53/EC (ELV). Regarding the REACH Regulation, the information TE provides on SVHC in articles for this part number is based on the latest European Chemicals Agency (ECHA) 'Guidance on requirements for substances in articles' posted at this URL: <https://echa.europa.eu/guidance-documents/guidance-on-reach>

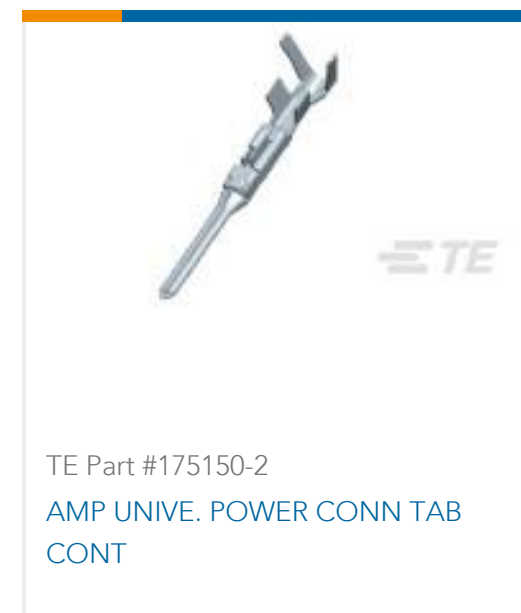
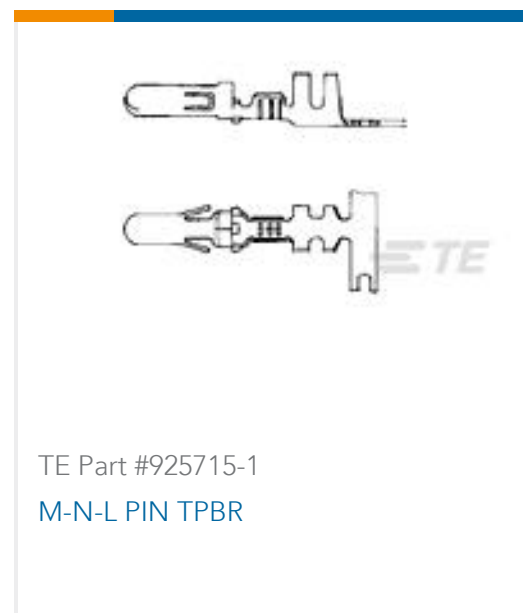
Compatible Parts

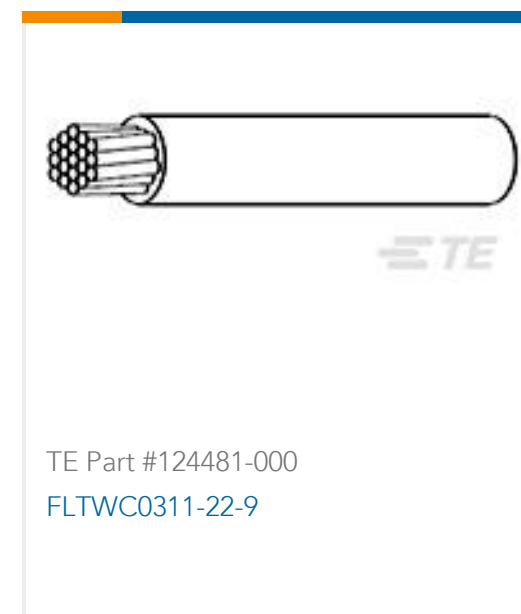


Also in the Series | ELECTRO-TAP



Customers Also Bought





Documents

Product Drawings

ELECTRO TAP ASSY

English

CAD Files

3D PDF

English

Customer View Model

[ENG_CVM_177766-1_B.2d_dxf.zip](#)

English

Customer View Model

[ENG_CVM_177766-1_B.3d_igs.zip](#)

English

Customer View Model

[ENG_CVM_177766-1_B.3d_stp.zip](#)

English

By downloading the CAD file I accept and agree to the [Terms and Conditions](#) of use.

Datasheets & Catalog Pages

ELECTRO-TAP CABLE CONNECTOR/SPLICE

English

Product Specifications

Product Specification

English

[AMP ELECTRO-TAP* Splice \(AWG#22-#24\)](#)

English

Product Environmental Compliance

[MD_177766-1_123120142120_dmtec](#)

English

[MD_177766-1_123120142120_dmtec](#)

English