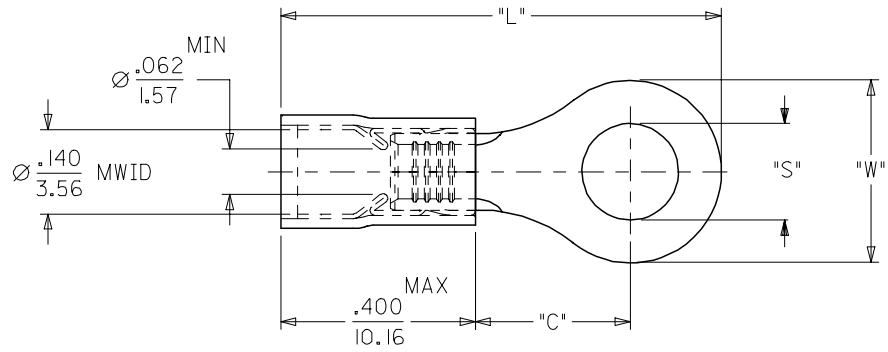
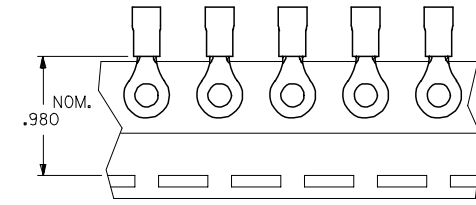


| MATERIAL NUMBER | ALTERNATE NUMBER | STUD SIZE | "S"         | "W"      | Ⓢ "C" MIN | Ⓢ "L" MAX | PACKAGING       |
|-----------------|------------------|-----------|-------------|----------|-----------|-----------|-----------------|
| 190730005       | AA-820-02        | 2         | .094/(2.38) | .23(5.7) | .16(4.0)  | .71(18.0) | LOOSE<br>PIECE  |
| 190730007       | AA-820-04        | 4         | .119/(3.02) | .23(5.7) | .16(4.0)  | .71(18.0) |                 |
| 190730009       | AA-820-06        | 6         | .146/(3.71) | .23(5.7) | .16(4.0)  | .71(18.0) |                 |
| 190730011       | AA-821-06        | 6         | .146/(3.71) | .31(7.9) | .27(6.9)  | .87(22.0) |                 |
| 190730013       | AA-821-08        | 8         | .173/(4.39) | .31(7.9) | .27(6.9)  | .87(22.0) |                 |
| 190730017       | AA-821-10        | 10        | .198/(5.03) | .31(7.9) | .27(6.9)  | .87(22.0) | TAPE<br>MOUNTED |
| 190730020       | AA-821-209       | 5MM       | .209/(5.30) | .31(7.9) | .27(6.9)  | .87(22.0) |                 |
| 190730006       | AA-820-02T       | 2         | .094/(2.38) | .23(5.7) | .16(4.0)  | .71(18.0) |                 |
| 190730008       | AA-820-04T       | 4         | .119/(3.02) | .23(5.7) | .16(4.0)  | .71(18.0) |                 |
| 190730010       | AA-820-06T       | 6         | .146/(3.71) | .23(5.7) | .16(4.0)  | .71(18.0) |                 |
| 190730012       | AA-821-06T       | 6         | .146/(3.71) | .31(7.9) | .27(6.9)  | .87(22.0) |                 |
| 190730015       | AA-821-08T       | 8         | .173/(4.39) | .31(7.9) | .27(6.9)  | .87(22.0) |                 |
| 190730019       | AA-821-10T       | 10        | .198/(5.03) | .31(7.9) | .27(6.9)  | .87(22.0) |                 |
| 190730021       | AA-821-209T      | 5MM       | .209/(5.30) | .31(7.9) | .27(6.9)  | .87(22.0) |                 |



- NOTES:  
 1. MATERIAL: COPPER  
 PLATING: ELECTROPLATE TIN  
 2. FERRULE: TIN-PLATED BRASS  
 3. INSULATION: RED NYLON 94V2.  
 4. MWID=MAXIMUM WIRE INSULATION DIA.  
 5. ALL DIMENSIONS IN INCHES/(MM).  
 6. ASSEMBLY IS ROHS COMPLIANT.

|     |                           |
|-----|---------------------------|
| REV | DESCRIPTION               |
| 1   | REV CHART DIM. C & L      |
| 2   | EC NO: ETC2007-0223       |
| 3   | DRW: JHEHLE 2006/12/04    |
| 4   | CHKD: JMACNEIL 2006/12/04 |
| 5   | APPR: JMACNEIL 2006/12/06 |

|                 |
|-----------------|
| QUALITY SYMBOLS |
| ◀=0             |
| ◀=0             |

| GENERAL TOLERANCES (UNLESS SPECIFIED)                |        |
|--|--------|
|  | INCH   |
| 4 PLACES   | ± .005 |
| 3 PLACES   | ± .005 |
| 2 PLACES   | ± .01  |
| 1 PLACE  | ± .025 |
| ANGULAR ±1/2°  |        |
| DRAFT WHERE APPLICABLE MUST REMAIN WITHIN DIMENSIONS |        |

| DIMENSION STYLE |   |
|-----------------|---|
| IN/MM           |   |
| DRAWN BY        | DATE  |
| HEB             | 2000/09/08  |
| CHECKED BY      | DATE  |
| RWD             | 2000/09/08  |
| APPROVED BY     | DATE  |
| RWD             | 2000/09/08  |
| MATERIAL NO.    | DOCUMENT NO.  |
| SEE CHART       | SD-19073-002  |
| SIZE B          | THIS DRAWING CONTAINS INFORMATION THAT IS PROPRIETARY TO MOLEX INCORPORATED AND SHOULD NOT BE USED WITHOUT WRITTEN PERMISSION |

|  |              |                        |
|--|--------------|------------------------|
| SCALE  | DESIGN UNITS | THIRD ANGLE PROJECTION |
| 4:1  | INCH         |                        |
| TITLE  |              |                        |
| RING TONGUE TERMINAL<br>AVIKRIMP<br>800 SERIES |              |                        |
| MOLEX INCORPORATED                             |              |                        |
| DOCUMENT NO.                                   |              | SHEET NO.              |
| SD-19073-002                                   |              | 1 OF 1                 |