



**QSFP/QSFP+**

TE Internal #: 1888631-1

QSFP, QSFP+ & zQSFP+, Cage Assembly, 1 x 1, Internal/External EMI Springs, Standard, Data Rate (Max) 14 Gb/s, 1 Port, Pin, QSFP /QSFP+

[View on TE.com >](#)

Connectors > Pluggable IO Connectors & Cages > QSFP, QSFP+ & zQSFP+



Pluggable I/O Product Type: **Cage Assembly**  
 Port Matrix Configuration: **1 x 1**  
 EMI Containment Feature Type: **Internal/External EMI Springs**  
 Thermal Accessory Type Included: **Heat Sink**  
 Included Lightpipe: **No**

**Features**

**Product Type Features**

Form Factor	QSFP+
Cage Type	Single
Pluggable I/O Product Type	Cage Assembly
Thermal Accessory Type Included	Heat Sink
Connector System	Cable-to-Board
Sealable	No
Connector & Contact Terminates To	Printed Circuit Board

**Configuration Features**

Port Matrix Configuration	1 x 1
Number of Ports	1
Number of Rear EONs per Port Column	2

**Electrical Characteristics**

Data Rate (Max)	14 Gb/s
-----------------	---------

**Body Features**



Heat Sink Finish	Anodized Black
Heat Sink Style	Pin
Heat Sink Height Class	PCI
Heat Sink Height	4.2 mm[.165 in]

#### Contact Features

PCB Contact Termination Area Plating Material	Tin
---	-----

#### Termination Features

Termination Method to Printed Circuit Board	Through Hole - Press-Fit
---	--------------------------

#### Mechanical Attachment

Connector Mounting Type	Board Mount
-------------------------	-------------

#### Housing Features

Cage Material	Nickel Silver
---------------	---------------

#### Dimensions

Tail Length	2.2 mm[.086 in]
PCB Thickness (Recommended)	1.45 mm[.057 in]

#### Usage Conditions

Operating Temperature Range	-55 – 105 °C[-67 – 221 °F]
-----------------------------	----------------------------

#### Operation/Application

For Use With Pluggable I/O Products	QSFP Cable Assembly, QSFP MSA Compatible Transceiver
Pluggable I/O Applications	SFP+ Stacked Belly-to-Belly
Circuit Application	Signal

#### Industry Standards

UL Flammability Rating	UL 94V-0
------------------------	----------

#### Packaging Features

Packaging Method	Box & Tray
------------------	------------

#### Other

EMI Containment Feature Type	Internal/External EMI Springs
Included Lightpipe	No
Enhancements	Standard



## Product Compliance

[For compliance documentation, visit the product page on TE.com>](#)

EU RoHS Directive 2011/65/EU	Compliant
EU ELV Directive 2000/53/EC	Compliant
China RoHS 2 Directive MIIT Order No 32, 2016	No Restricted Materials Above Threshold
EU REACH Regulation (EC) No. 1907/2006	Current ECHA Candidate List: JUNE 2022 (224) Candidate List Declared Against: JAN 2022 (223) SVHC > Threshold: Not Yet Reviewed
Halogen Content	Low Halogen - Br, Cl, F, I < 900 ppm per homogenous material. Also BFR/CFR/PVC Free
Solder Process Capability	Not applicable for solder process capability

### Product Compliance Disclaimer

This information is provided based on reasonable inquiry of our suppliers and represents our current actual knowledge based on the information they provided. This information is subject to change. The part numbers that TE has identified as EU RoHS compliant have a maximum concentration of 0.1% by weight in homogenous materials for lead, hexavalent chromium, mercury, PBB, PBDE, DBP, BBP, DEHP, DIBP, and 0.01% for cadmium, or qualify for an exemption to these limits as defined in the Annexes of Directive 2011/65/EU (RoHS2). Finished electrical and electronic equipment products will be CE marked as required by Directive 2011/65/EU. Components may not be CE marked. Additionally, the part numbers that TE has identified as EU ELV compliant have a maximum concentration of 0.1% by weight in homogenous materials for lead, hexavalent chromium, and mercury, and 0.01% for cadmium, or qualify for an exemption to these limits as defined in the Annexes of Directive 2000/53/EC (ELV). Regarding the REACH Regulation, the information TE provides on SVHC in articles for this part number is based on the latest European Chemicals Agency (ECHA) 'Guidance on requirements for substances in articles' posted at this URL: <https://echa.europa.eu/guidance-documents/guidance-on-reach>

## Compatible Parts

 <p>TE Part # CAT-C11-H50114 QSFP to QSFP I/O Cable Assembly: 30 AWG</p>	 <p>TE Part # CAT-C11-H50111 QSFP-Four SFP+ I/O Cable Assembly 30 AWG</p>	 <p>TE Part # 1761987-9 ReceptacleConnAssm38PosTape/Re</p>	 <p>TE Part # 2110819-1 QSFP+ Enh EVERCLEAR PT Conn</p>
---	--	---	--




TE Part # 1888810-2  
EMI/Dust Cover,XFP And QSFP



TE Part # CAT-C11-H5011  
QSFP-Four SFP+ I/O Cable Assembly  
28 AWG



TE Part # CAT-C11-H5011142  
QSFP to QSFP I/O Cable Assembly: 33  
AWG



TE Part # 2053638-5  
C/A, QSFP, 5M, P1-P2, UNEQUALIZED



TE Part # 1-2220639-0  
QSFP TO QSFP, ACTIVE, 28AWG, 10M



TE Part # 1-2220639-3  
QSFP TO QSFP, ACTIVE, 28AWG, 13M



TE Part # 2053638-4  
C/A, QSFP, 4M, P1-P2, UNEQUALIZED




TE Part # 2185265-1  
ASSY, SEATING TOOL KIT



TE Part # 2202165-4  
QSFP TO QSFP, 26AWG, FDR, 4.0  
METER



TE Part # 2202165-5  
QSFP TO QSFP, 26AWG, FDR, 5.0  
METER



TE Part # 2366192-1  
ASSY SEATING TOOL, 1X1



TE Part # 2829040-2  
QSFP IB EDR, 33AWG, 1.0M



TE Part # 2829040-4  
QSFP IB EDR, 30AWG, 1.0M



TE Part # 2829040-6  
QSFP IB EDR, 30AWG, 2.0M



TE Part # 2829040-7  
QSFP IB EDR, 26AWG, 2.0M



TE Part # 2829040-8  
QSFP IB EDR, 26AWG, 3.0M

Also in the Series | **QSFP/QSFP+**



Heat Sinks(1)

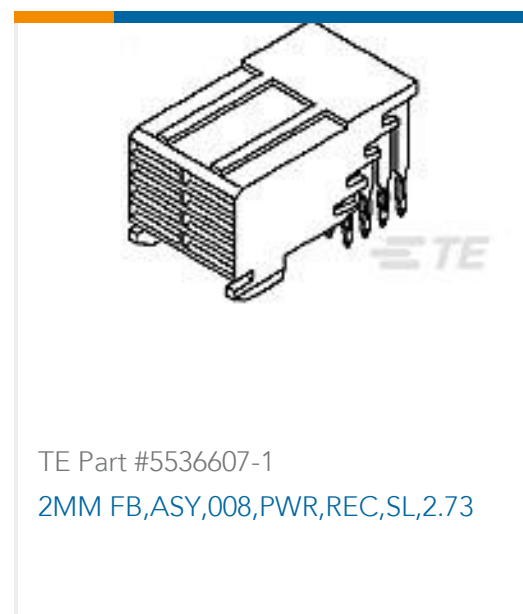


Pluggable I/O Cable Assemblies(33)



QSFP, QSFP+ & zQSFP+(168)

Customers Also Bought



## Documents

### Product Drawings

Cage Assy PCI Hsink QSFP Thru

English

### CAD Files

3D PDF

3D

Customer View Model

[ENG\\_CVM\\_CVM\\_1888631-1\\_C.2d\\_dxf.zip](#)

English

Customer View Model

[ENG\\_CVM\\_CVM\\_1888631-1\\_C.3d\\_igs.zip](#)

English

Customer View Model

[ENG\\_CVM\\_CVM\\_1888631-1\\_C.3d\\_stp.zip](#)

English

By downloading the CAD file I accept and agree to the [Terms and Conditions](#) of use.

### Datasheets & Catalog Pages



[1773408-1 Pluggable Input/Output Solutions catalog - QSFP section](#)

English

[4-1773455-5 - Quick Reference Guide QSFP/QSFP+ Solutions](#)

English

[Quad Small Form-factor Pluggable \(QSFP\) Products Datasheet 6-1773447-7](#)

English

---

[Product Specifications](#)

[Application Specification](#)

English

---

[Product Environmental Compliance](#)

[MD\\_1888631-1\\_012920181251\\_dmtec](#)

English

[MD\\_1888631-1\\_012920181251\\_dmtec](#)

English