

179182-1 ✓ ACTIVE

[Positive Lock](#) | [Positive Lock 187](#)

TE Internal #: 179182-1

Crimp Terminal Housings, Tab, Tab Housing, 1 Position, Straight, UL 94V-0, Natural, Nylon, Contact Mating Retention, Positive Lock 187

[View on TE.com >](#)



Terminals & Splices > Terminal Housings, Insulation Sleeves & Blocks > Crimp Terminal Housings



Terminal Type: **Tab**

Housing Type: **Tab Housing**

Number of Positions: **1**

Terminal Orientation: **Straight**

UL Flammability Rating: **UL 94V-0**

## Features

### Product Type Features

Terminates To	Wire & Cable
Product Type	Terminal Housing
Sealable	No
Connector System	Wire-to-Wire
Housing Type	Tab Housing
Insulated	No

### Configuration Features

Number of Positions	1
---------------------	---

### Body Features

Primary Product Color	Natural
-----------------------	---------

### Contact Features

Terminal Type	Tab
Terminal Orientation	Straight
Contact Mating Retention	With



### Mechanical Attachment

Mating Alignment Type	Polarization
Mating Retention Type	Latch
Mating Alignment	With
Crimp Terminal Housing Mounting Style	Cable Mount (Free-Hanging)

### Housing Features

Housing Material	Nylon
------------------	-------

### Usage Conditions

Operating Temperature Range	-40 – 105 °C[-40 – 221 °F]
-----------------------------	----------------------------

### Industry Standards

UL Flammability Rating	UL 94V-0
------------------------	----------

### Packaging Features

Packaging Quantity	1000
Packaging Method	Carton

### Product Compliance

[For compliance documentation, visit the product page on TE.com>](#)

EU RoHS Directive 2011/65/EU	Compliant
EU ELV Directive 2000/53/EC	Compliant
China RoHS 2 Directive MIIT Order No 32, 2016	No Restricted Materials Above Threshold
EU REACH Regulation (EC) No. 1907/2006	Current ECHA Candidate List: JUNE 2022 (224) Candidate List Declared Against: JAN 2022 (223) SVHC > Threshold: Not Yet Reviewed
Halogen Content	Low Halogen - Br, Cl, F, I < 900 ppm per homogenous material. Also BFR/CFR/PVC Free
Solder Process Capability	Not applicable for solder process capability

#### Product Compliance Disclaimer

This information is provided based on reasonable inquiry of our suppliers and represents our current actual knowledge based on the information they provided. This information is subject to change. The part numbers that TE has identified as EU RoHS compliant have a maximum concentration of 0.1% by weight in homogenous materials for lead, hexavalent chromium, mercury, PBB, PBDE, DBP, BBP, DEHP, DIBP, and 0.01% for cadmium, or qualify for an exemption to these limits as defined in the Annexes of Directive 2011/65/EU (RoHS2). Finished electrical and electronic equipment products will be CE marked as required by Directive 2011/65/EU. Components may not be CE marked. Additionally, the part

numbers that TE has identified as EU ELV compliant have a maximum concentration of 0.1% by weight in homogenous materials for lead, hexavalent chromium, and mercury, and 0.01% for cadmium, or qualify for an exemption to these limits as defined in the Annexes of Directive 2000/53/EC (ELV). Regarding the REACH Regulation, the information TE provides on SVHC in articles for this part number is based on the latest European Chemicals Agency (ECHA) 'Guidance on requirements for substances in articles' posted at this URL: <https://echa.europa.eu/guidance-documents/guidance-on-reach>

## Compatible Parts



TE Part # 175179-1  
187 PL MII TAB. 22-16 AWG PTBR



TE Part # 926330-8  
6P POS-LOCK BU GEH



TE Part # 1-1743103-1  
2P PL 187 HOUSING TAB NATURAL 6 /6 NYLON

## Also in the Series | Positive Lock 187



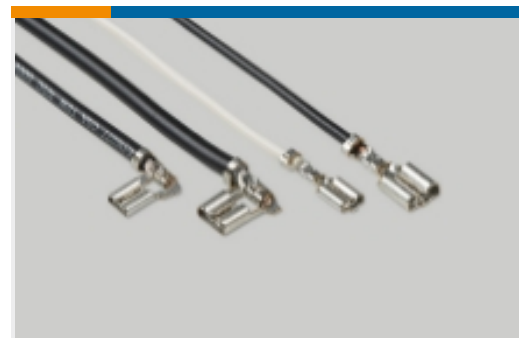
Crimp Terminal Housings(87)



Insertion & Extraction Tools(2)

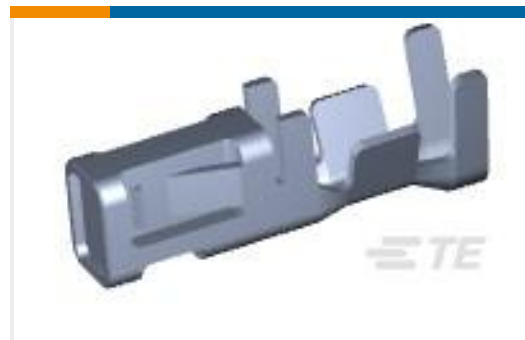


Insulation Boots & Sleeves(7)

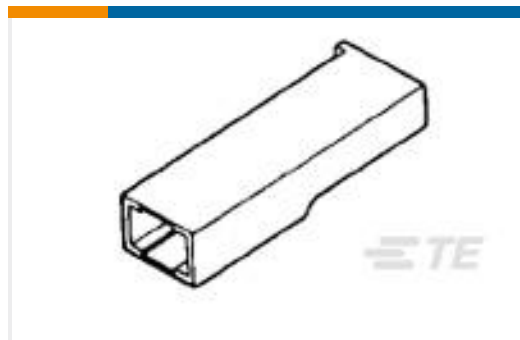


Quick Disconnects(56)

## Customers Also Bought



TE Part #1971795-1  
NEW GI CONN2.5 REC. CONTACT



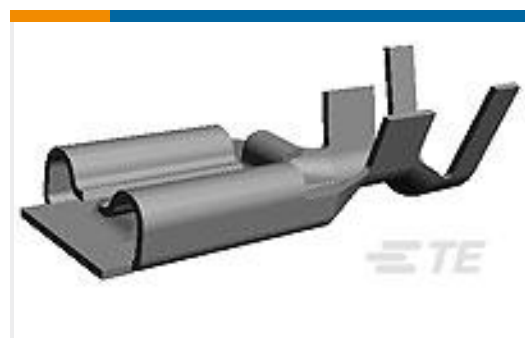
TE Part #176448-1  
187 HSG. PL MKII TAB NAT



TE Part #170140-1  
187 FASTON,FLAG,REC.,16-20 AWG, BR



TE Part #175019-1  
187 PL EX FLAG REC. 22-16AWG PTBR



TE Part #173724-1  
187 PL EX REC. 20-14AWG PTBR



TE Part #175057-1  
250 PL EX FLAG REC. 18-12AWG PTBR



TE Part #755596-1  
CRIMPER WIRE



TE Part #914411-3  
PLATE,SHEAR FRONT



TE Part #3-2232844-1  
NEW GI CONN2.5 PLUG HSG 3P NC  
KEY A

TE Part #908918-5  
PLATE SHEAR

## Documents

### Product Drawings

#### POSITIVE LOCK 187 (4.8 MM) HOUSING

English

### CAD Files

#### 3D PDF

3D

#### Customer View Model

[ENG\\_CVM\\_CVM\\_179182-1\\_J.2d\\_dxf.zip](#)

English

#### Customer View Model

[ENG\\_CVM\\_CVM\\_179182-1\\_J.3d\\_igs.zip](#)

English

#### Customer View Model

[ENG\\_CVM\\_CVM\\_179182-1\\_J.3d\\_stp.zip](#)

English

By downloading the CAD file I accept and agree to the [Terms and Conditions](#) of use.

### Product Specifications

#### Product Specification

English

#### 187 Series Positive Lock (Mark-II) Wire to Wire Type (w/ Housing Lock)

English

#### 187 Series Positive Lock (Mark-II) Wire to Wire Type (w/ Housing Lock)

Japanese

#### Product Specification

Japanese

### Product Environmental Compliance

[MD\\_179182-1\\_04272017220\\_dmtec](#)

English

[MD\\_179182-1\\_04272017220\\_dmtec](#)

English