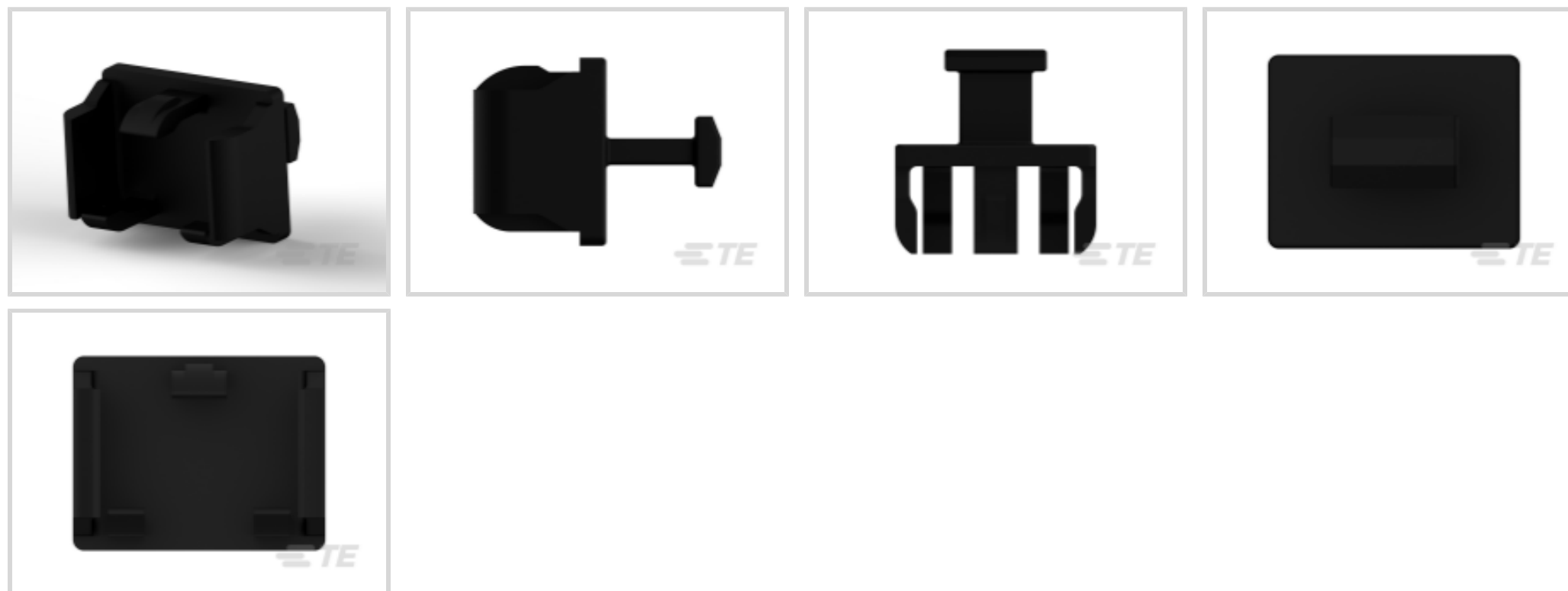




Connectors > Pluggable IO Connectors & Cages > SFP, SFP+ & zSFP+



Pluggable I/O Product Type: **Accessory**

Data Rate (Max): **4 Gb/s**

Port Matrix Configuration: **1 x 1**

Number of Ports: **1**

Sealable: **No**

Features

Product Type Features

Form Factor	SFP
Pluggable I/O Accessory Type	Dust Cover
Pluggable I/O Product Type	Accessory
Sealable	No

Configuration Features

Port Matrix Configuration	1 x 1
Number of Ports	1

Electrical Characteristics

Data Rate (Max)	4 Gb/s
-----------------	--------

Operation/Application

For Use With Pluggable I/O Products	SFP Cage
-------------------------------------	----------

Industry Standards

UL Flammability Rating	UL 94V-0
------------------------	----------

Packaging Features

Packaging Method	Bag
------------------	-----



Other

Comment	With AMP logo.
---------	----------------

Product Compliance

[For compliance documentation, visit the product page on TE.com>](#)

EU RoHS Directive 2011/65/EU	Compliant
EU ELV Directive 2000/53/EC	Compliant
China RoHS 2 Directive MIIT Order No 32, 2016	No Restricted Materials Above Threshold
EU REACH Regulation (EC) No. 1907/2006	Current ECHA Candidate List: JUNE 2022 (224) Candidate List Declared Against: JAN 2022 (223) SVHC > Threshold: Not Yet Reviewed
Halogen Content	Not Low Halogen - contains Br or Cl > 900 ppm.
Solder Process Capability	Not applicable for solder process capability

Product Compliance Disclaimer

This information is provided based on reasonable inquiry of our suppliers and represents our current actual knowledge based on the information they provided. This information is subject to change. The part numbers that TE has identified as EU RoHS compliant have a maximum concentration of 0.1% by weight in homogenous materials for lead, hexavalent chromium, mercury, PBB, PBDE, DBP, BBP, DEHP, DIBP, and 0.01% for cadmium, or qualify for an exemption to these limits as defined in the Annexes of Directive 2011/65/EU (RoHS2). Finished electrical and electronic equipment products will be CE marked as required by Directive 2011/65/EU. Components may not be CE marked. Additionally, the part numbers that TE has identified as EU ELV compliant have a maximum concentration of 0.1% by weight in homogenous materials for lead, hexavalent chromium, and mercury, and 0.01% for cadmium, or qualify for an exemption to these limits as defined in the Annexes of Directive 2000/53/EC (ELV). Regarding the REACH Regulation, the information TE provides on SVHC in articles for this part number is based on the latest European Chemicals Agency (ECHA) 'Guidance on requirements for substances in articles' posted at this URL: <https://echa.europa.eu/guidance-documents/guidance-on-reach>

Compatible Parts



TE Part # CAT-SF59-C117ST123
SFP+ Stacked Cage Assemblies



TE Part # CAT-SF59-C76264
SFP Connectors



TE Part # CAT-P65-SF59
SFP56 Stacked Cage Assembly: EMI Spring



TE Part # CAT-Z8-P650632
zSFP+ Cage Assembly: EMI Springs



TE Part # 2007250-1
SFP+ 1x6 Cage Assembly with Light Pipes



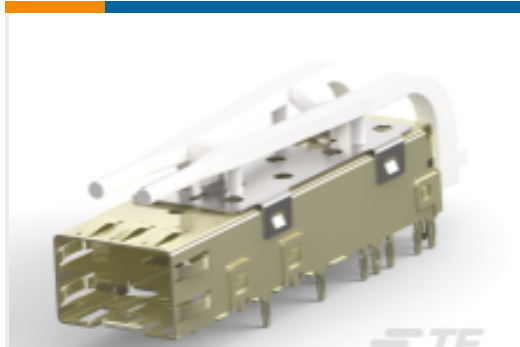
TE Part # 2007135-1
SFP+ 1x4 Cage Assembly w/ EMI gasket



TE Part # 2007180-1
SFP+ 1X2 CAGE ASSM/LIGHTPIPE, EMI GASKET



TE Part # 2007254-1
SFP+ 1x1 Cage Assembly, Light Pipe



TE Part # 1367629-2
cage assy, 20 press fit, sfp w



TE Part # 2007194-1
SFP+ 1x1 Cage Assembly, PCI, Solder Tail



TE Part # 2007251-1
SFP+ 1x6 Cage Assembly



TE Part # 1761008-3
SFP 1X4 CAGE & LIGHT PIPE KIT



TE Part # 2007178-1
SFP+ 1x4 Cage Assembly, Light



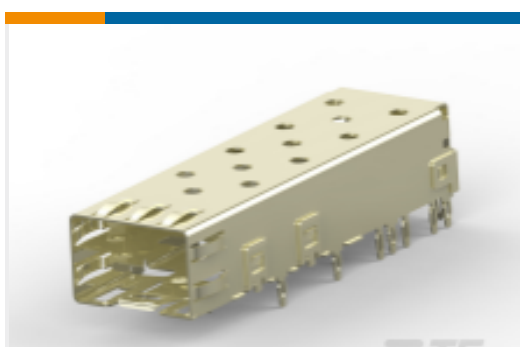
TE Part # 2007263-1
SFP+ 1x2 Cage Assembly



TE Part # 2007464-3
SFP+ 1x1 Cage Assy, PF,with Heatsink



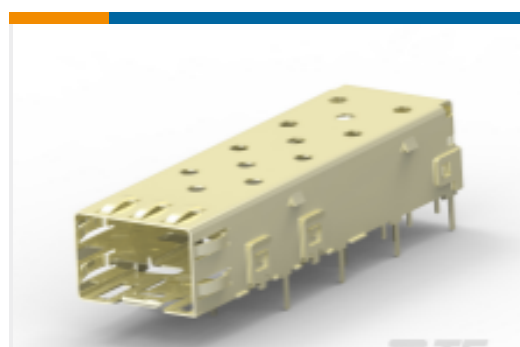
TE Part # 2007198-1
SFP+ 1x1 Cage Assembly, Press-



TE Part # 2227023-1
CAGE ASSY PRESS FIT, SFP



TE Part # 2007464-2
SFP+ 1x1 Cage Assy, PF,with Heatsink



TE Part # 2227303-1
CAGE ASSEMBLY, SFP, .140 SOLDE



TE Part # 2007464-1
SFP+ 1x1 Cage Assy, PF,with Heatsink

Customers Also Bought



TE Part #5646492-1
2MM HM,ASY,T-F,REC,TT/PRE-SHLD



TE Part #4-1462037-0
IM01JR=IM RELAY 140 MW 3 V



TE Part #2170707-3
CAGE ASSY, 1X6, QSFP28, SPRING, HS



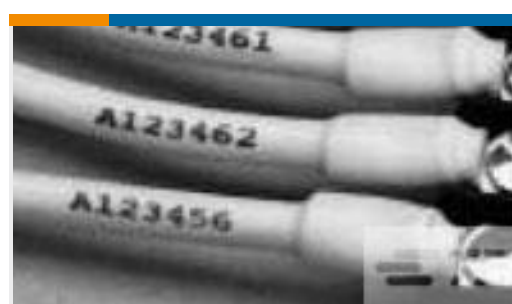
TE Part #2187687-1
SW PIR RECT, 85OHM, 6X4, 50AU



TE Part #2169666-2
CFP HW Kit, No HS, With Clips and
Screws



TE Part #1658744-3
SFP 1X4 CAGE ASSY



TE Part #5052974021
RNF-100-3/32-6-SP



TE Part #2295556-1
Std HDMI, Flag, T/H, 3 in 1 (Row)

Documents

Product Drawings

DUST COVER, SFP, GANGED & STACKED

English

CAD Files

Customer View Model

[ENG_CVM_CVM_1761394-1_C.2d_dxf.zip](#)

English

3D PDF

3D

Customer View Model

[ENG_CVM_CVM_1761394-1_C.3d_igs.zip](#)

English

Customer View Model

[ENG_CVM_CVM_1761394-1_C.3d_stp.zip](#)

English

By downloading the CAD file I accept and agree to the [Terms and Conditions](#) of use.

Datasheets & Catalog Pages

[1773408-1 Pluggable Input/Output Solutions catalog - SFP section](#)

English

[1773408-1 Pluggable Input/Output Solutions catalog - SFP+ section](#)

English

[SFP+ Product Family: Cages, Connectors, Cable Assemblies 4-1773449-5](#)

English

[4-1773455-3 - Quick Reference Guide SFP+ Solutions](#)

English

[4-1773455-4 Quick Reference Guide SFP Solutions](#)

English

Product Specifications

Application Specification

English

Application Specification

English



Product Environmental Compliance

[MD_1761394-1_032920181333_dmtec](#)

English

[MD_1761394-1_032920181333_dmtec](#)

English