



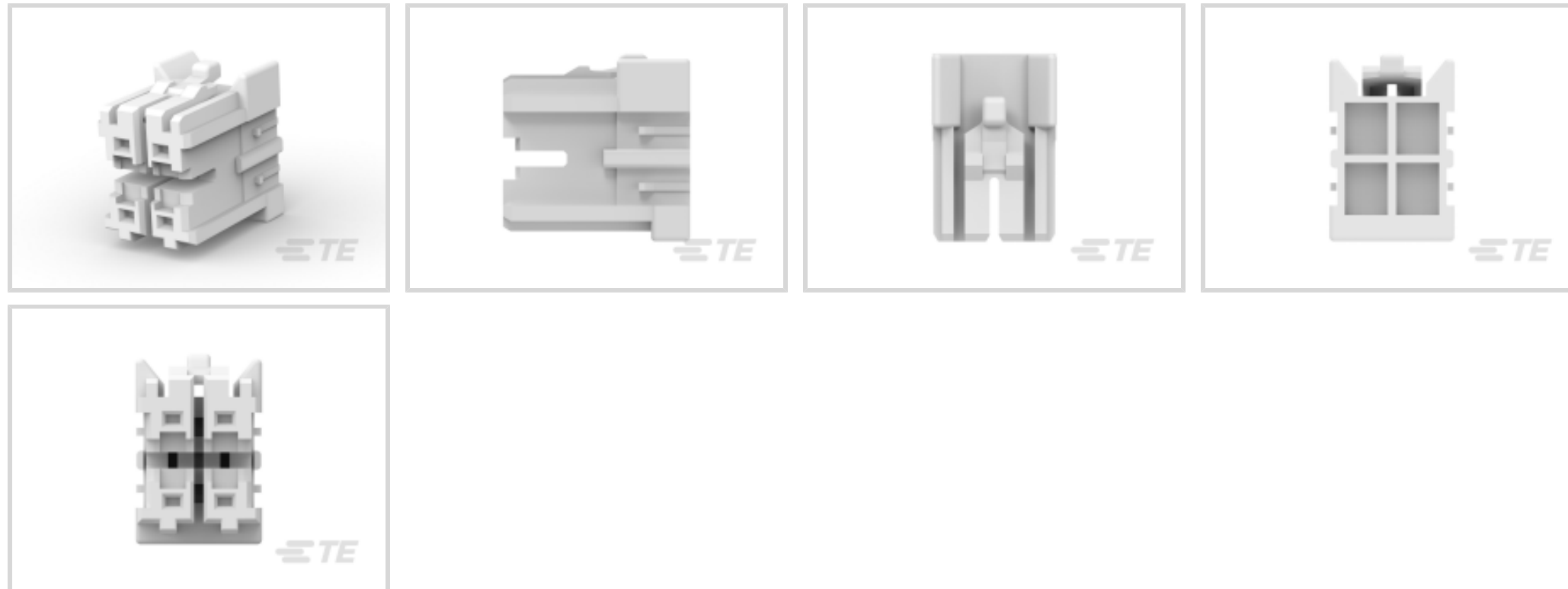
**GRACE INERTIA 3.3**

TE Internal #: 1827385-1

Rectangular Power Connectors, Housing, Plug, Wire-to-Board, 4 Position, .129 in [3.3 mm] Centerline, Wire & Cable, UL 94V-0, GRACE INERTIA 3.3

[View on TE.com >](#)

Connectors > Power Connectors > Rectangular Power > Rectangular Power Connectors > Glow Wire GRACE INERTIA Plug



Rectangular Power Connector Type: **Housing**

Connector & Housing Type: **Plug**

Connector System: **Wire-to-Board**

Number of Positions: **4**

Centerline (Pitch): **3.3 mm [ .129 in ]**

[All Glow Wire GRACE INERTIA Plug \(79\)](#)

**Features**

**Product Type Features**

Rectangular Power Connector Type	Housing
Connector & Housing Type	Plug
Connector System	Wire-to-Board
Sealable	No
Connector & Contact Terminates To	Wire & Cable

**Configuration Features**

Number of Positions	4
Number of Power Positions	4
Number of Signal Positions	2
Number of Rows	2

**Electrical Characteristics**

Operating Voltage	250 VDC
-------------------	---------



### Contact Features

Contact Layout	Matrix
Contact Base Material	Copper Alloy
Contact Current Rating (Max)	4 A
Contact Retention Within Housing	With
Contact Type	Receptacle
Contact Mating Area Plating Material	Tin
Contact Mating Area Plating Material Thickness	.8 $\mu\text{m}$ [31.49 $\mu\text{in}$ ]

### Termination Features

Termination Method to Wire & Cable	Crimp
------------------------------------	-------

### Mechanical Attachment

Strain Relief	Without
Mating Alignment Type	Polarization
Mating Alignment	With
Panel Mount Feature	Without
PCB Mount Retention	Without
Connector Mounting Type	Cable Mount (Free-Hanging)
Mating Retention	With
Mating Retention Type	Latch, Locking Latch

### Housing Features

Centerline (Pitch)	3.3 mm[.129 in]
Housing Color	Natural
Housing Material	Nylon 6/6 GF

### Dimensions

Wire Size	414.44 – 1045.97 CMA
Row-to-Row Spacing	5.2 mm[.205 in]
Height	8 mm[.314 in]
Length	11.7 mm[.46 in]

### Usage Conditions

Operating Temperature Range	-30 – 105 $^{\circ}\text{C}$ [-22 – 221 $^{\circ}\text{F}$ ]
-----------------------------	--

### Operation/Application

Circuit Application	Power & Signal
---------------------	----------------



### Industry Standards

UL Flammability Rating	UL 94V-0
Glow Wire Rating	GWT 750°C (Without Flame)

### Packaging Features

Packaging Method	Bag
Packaging Quantity	3000

### Other

For Use With	Header Assembly : 1827391-1
--------------	-----------------------------

### Product Compliance

[For compliance documentation, visit the product page on TE.com>](#)

EU RoHS Directive 2011/65/EU	Compliant
EU ELV Directive 2000/53/EC	Compliant
China RoHS 2 Directive MIIT Order No 32, 2016	No Restricted Materials Above Threshold
EU REACH Regulation (EC) No. 1907/2006	Current ECHA Candidate List: JUNE 2022 (224) Candidate List Declared Against: JAN 2022 (223) SVHC > Threshold: Not Yet Reviewed
Halogen Content	Not Low Halogen - contains Br or Cl > 900 ppm.
Solder Process Capability	Not applicable for solder process capability

#### Product Compliance Disclaimer

This information is provided based on reasonable inquiry of our suppliers and represents our current actual knowledge based on the information they provided. This information is subject to change. The part numbers that TE has identified as EU RoHS compliant have a maximum concentration of 0.1% by weight in homogenous materials for lead, hexavalent chromium, mercury, PBB, PBDE, DBP, BBP, DEHP, DIBP, and 0.01% for cadmium, or qualify for an exemption to these limits as defined in the Annexes of Directive 2011/65/EU (RoHS2). Finished electrical and electronic equipment products will be CE marked as required by Directive 2011/65/EU. Components may not be CE marked. Additionally, the part numbers that TE has identified as EU ELV compliant have a maximum concentration of 0.1% by weight in homogenous materials for lead, hexavalent chromium, and mercury, and 0.01% for cadmium, or qualify for an exemption to these limits as defined in the Annexes of Directive 2000/53/EC (ELV). Regarding the REACH Regulation, the information TE provides on SVHC in articles for this part number is based on the latest European Chemicals Agency (ECHA) 'Guidance on requirements for substances in articles' posted at this URL: <https://echa.europa.eu/guidance-documents/guidance-on-reach>

### Compatible Parts



TE Part # CAT-G7534-P729A  
Glow Wire GRACE INERTIA Plug



TE Part # 1827391-1  
GIC 3.3 HDR ASSY 4P



TE Part # 1871819-1  
GIC 3.3 4P DBL LOCK PLATE(2-ROW, M-TYPE)

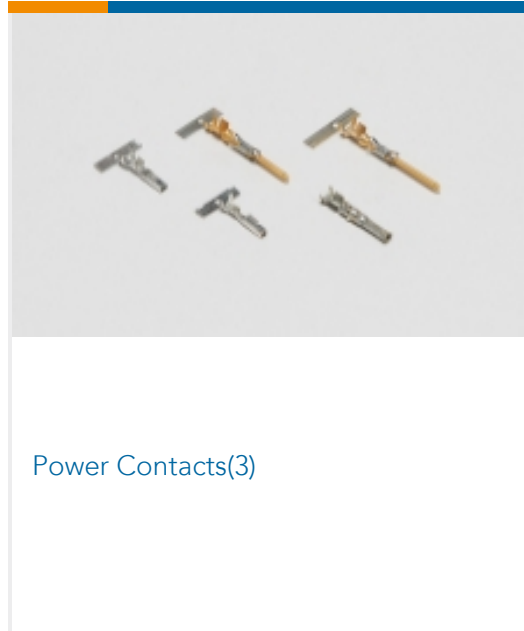


TE Part # 1827395-2  
GIC 3.3 REC CONTACT TIN PLATE

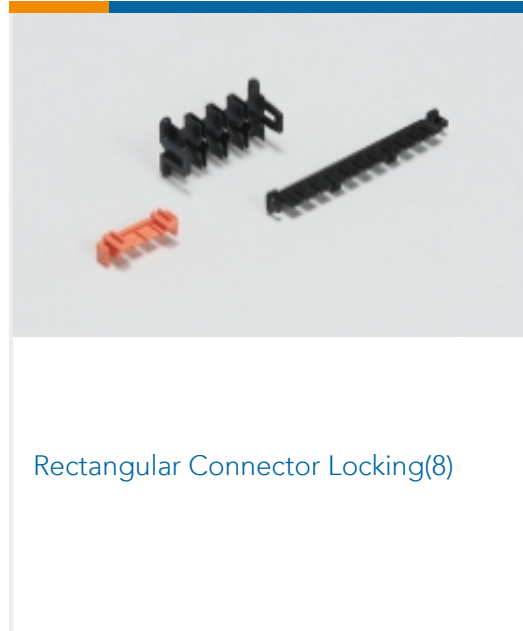
Also in the Series | **GRACE INERTIA 3.3**



PCB Latches, Locks & Retainers(7)



Power Contacts(3)



Rectangular Connector Locking(8)



Rectangular Power Connectors(69)

Customers Also Bought



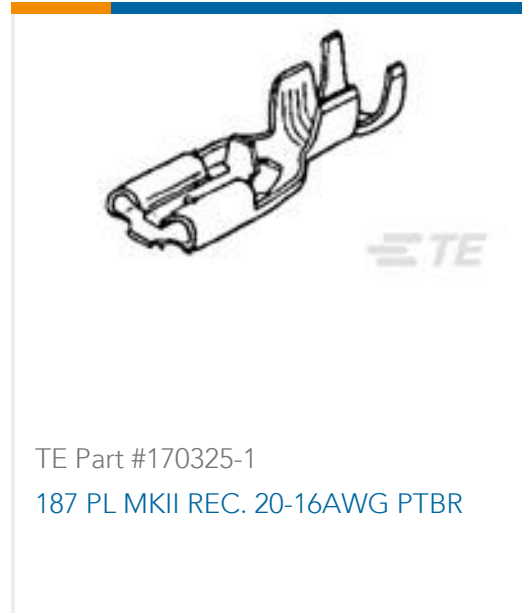
TE Part #6609046-1  
3ET1 M0=F7002



TE Part #176498-1  
POSITIVE LOCK 187 (4.8 MM) HOUSING



TE Part #63458-1  
MAG-MATE POKE-IN TAB 020 PTPBR



TE Part #170325-1  
187 PL MKII REC. 20-16AWG PTPBR



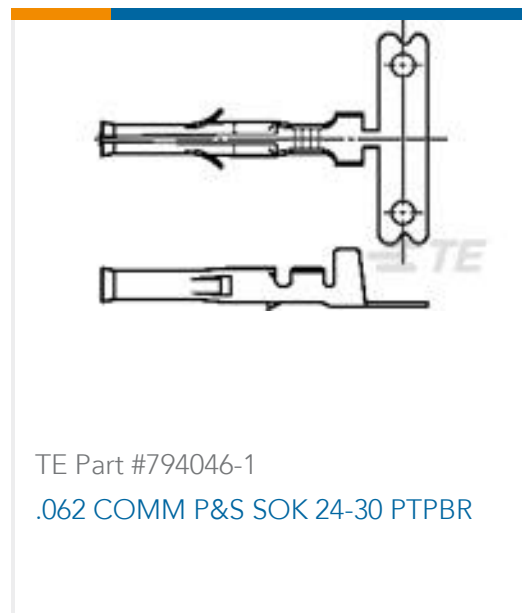
TE Part #1747052-2  
GIC7.92 2POS\_HEADER ASS'Y RED KEYING A



TE Part #917686-1  
2.5 SIGNAL D/LOCK PLUG HSG 2P



TE Part #1376477-5  
2.5MM PITCH SIGNAL MATE CONN



TE Part #794046-1  
.062 COMM P&S SOK 24-30 PTPBR



TE Part #4-1744524-3  
3.96 EP HDR ASY 03P ,NO 2 PIN, GW



## Documents

### Product Drawings

#### GIC 3.3 PLUG HOUSING 4P

English

### CAD Files

#### Customer View Model

[ENG\\_CVM\\_CVM\\_1827385-1\\_E.2d\\_dxf.zip](#)

English

#### 3D PDF

3D

#### Customer View Model

[ENG\\_CVM\\_CVM\\_1827385-1\\_E.3d\\_igs.zip](#)

English

#### Customer View Model

[ENG\\_CVM\\_CVM\\_1827385-1\\_E.3d\\_stp.zip](#)

English

By downloading the CAD file I accept and agree to the [Terms and Conditions](#) of use.

### Product Specifications

#### Application Specification

Japanese

#### GRACE INERTIA CONNECTOR 3.3 CONTACT

Japanese