

184288-1 ✓ ACTIVE

Sealed Sensor Connector SSC System

TE Internal #: 184288-1

Other Automotive Connector Accessories, Seal Retainer, Nylon, Natural, -40 – 150 °C [-40 – 302 °F], Sealed Sensor Connector SSC System

[View on TE.com >](#)



Connectors > Automotive Connectors > Connector Accessories > Other Connector Accessories



Automotive Connector Accessory Type: **Seal Retainer**

Primary Product Material: **Nylon**

Primary Product Color: **Natural**

Operating Temperature Range: **-40 – 150 °C [-40 – 302 °F]**

Features

Product Type Features

Automotive Connector Accessory Type	Seal Retainer
-------------------------------------	---------------

Body Features

Primary Product Material	Nylon
Primary Product Color	Natural

Usage Conditions

Operating Temperature Range	-40 – 150 °C[-40 – 302 °F]
-----------------------------	----------------------------

Product Compliance

[For compliance documentation, visit the product page on TE.com>](#)

EU RoHS Directive 2011/65/EU	Compliant
EU ELV Directive 2000/53/EC	Compliant
China RoHS 2 Directive MIIT Order No 32, 2016	No Restricted Materials Above Threshold
EU REACH Regulation (EC) No. 1907/2006	Current ECHA Candidate List: JUNE 2022 (224) Candidate List Declared Against: JAN 2022 (223)

SVHC > Threshold:
 Not Yet Reviewed

Halogen Content

Low Halogen - Br, Cl, F, I < 900 ppm per homogenous material. Also BFR/CFR/PVC Free

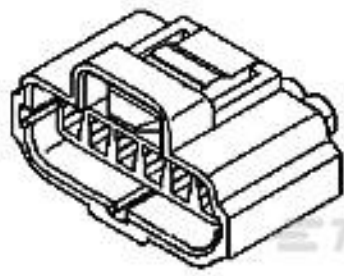
Solder Process Capability

Not reviewed for solder process capability

Product Compliance Disclaimer

This information is provided based on reasonable inquiry of our suppliers and represents our current actual knowledge based on the information they provided. This information is subject to change. The part numbers that TE has identified as EU RoHS compliant have a maximum concentration of 0.1% by weight in homogenous materials for lead, hexavalent chromium, mercury, PBB, PBDE, DBP, BBP, DEHP, DIBP, and 0.01% for cadmium, or qualify for an exemption to these limits as defined in the Annexes of Directive 2011/65/EU (RoHS2). Finished electrical and electronic equipment products will be CE marked as required by Directive 2011/65/EU. Components may not be CE marked. Additionally, the part numbers that TE has identified as EU ELV compliant have a maximum concentration of 0.1% by weight in homogenous materials for lead, hexavalent chromium, and mercury, and 0.01% for cadmium, or qualify for an exemption to these limits as defined in the Annexes of Directive 2000/53/EC (ELV). Regarding the REACH Regulation, the information TE provides on SVHC in articles for this part number is based on the latest European Chemicals Agency (ECHA) 'Guidance on requirements for substances in articles' posted at this URL: <https://echa.europa.eu/guidance-documents/guidance-on-reach>

Compatible Parts



TE Part # 184060-1
 6 POS./6 CIRC PLUG ASSY, KEY A



TE Part # 184141-1
 WIRE SEAL,RUBBER,SENSOR,PURPLE, LIM



TE Part # 184140-1
 WIRE SEAL,RUBBER,SENSOR, ORANGE



TE Part # 184042-1
 1 POS. PLUG ASSY, KEY A



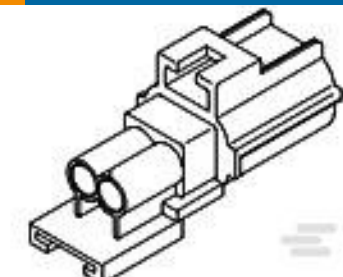
TE Part # 184002-1
 2 POS. PLUG ASSY, KEY B, GRAY



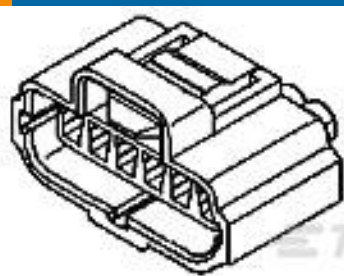
TE Part # 184042-2
 1 POS. PLUG ASSY, KEY A



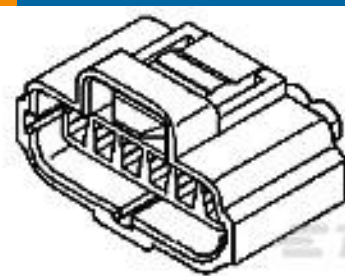
TE Part # 184139-1
 WIRE SEAL,RUBBER,SENSOR,BLUE



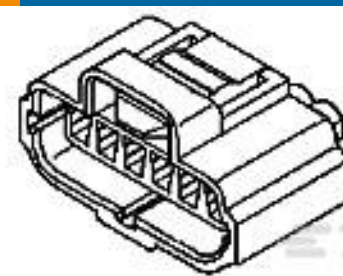
TE Part # 184154-1
 2 POS. END CAP HSG., KEY D



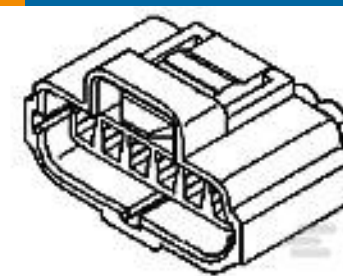
TE Part # 184126-1
 6 POS./6 CIRC. PLUG ASSY,KEY C



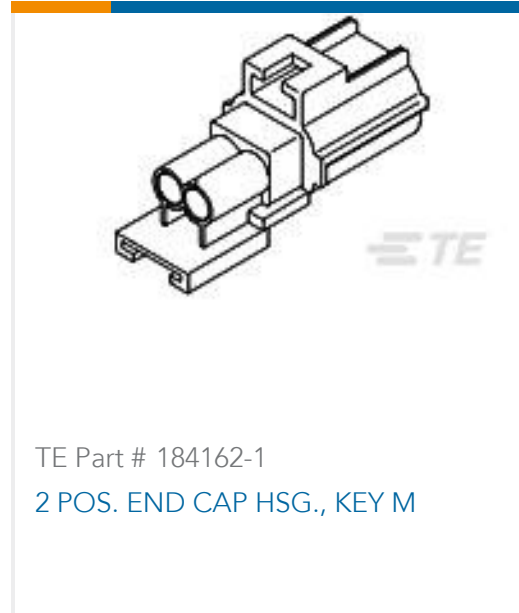
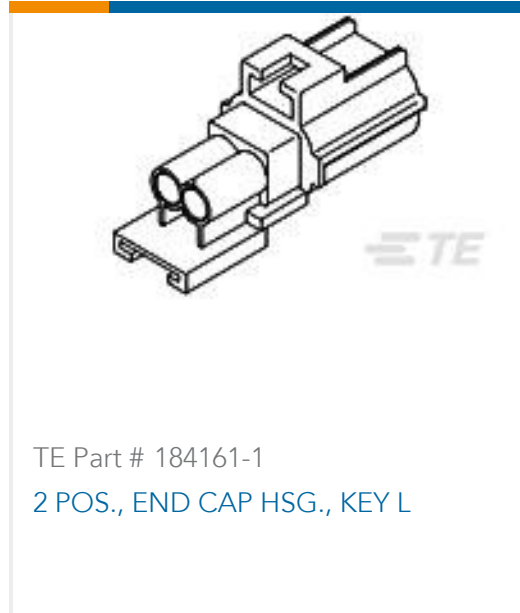
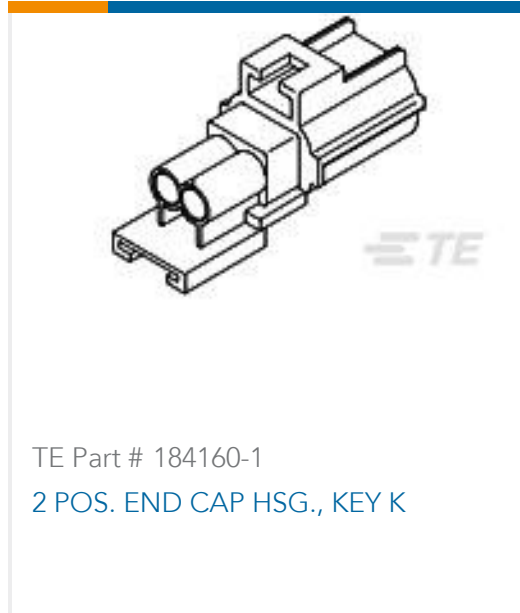
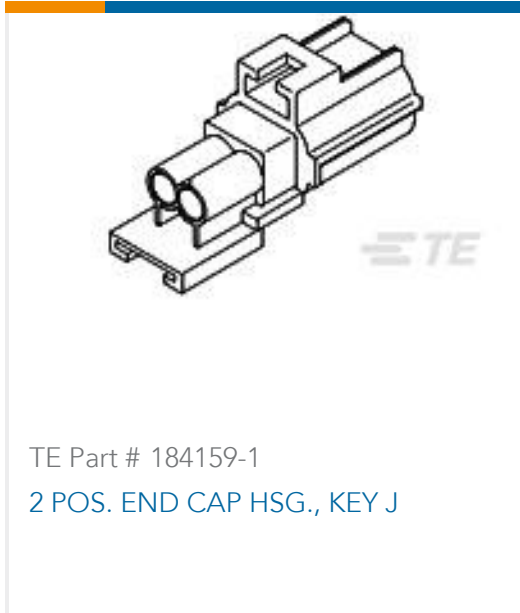
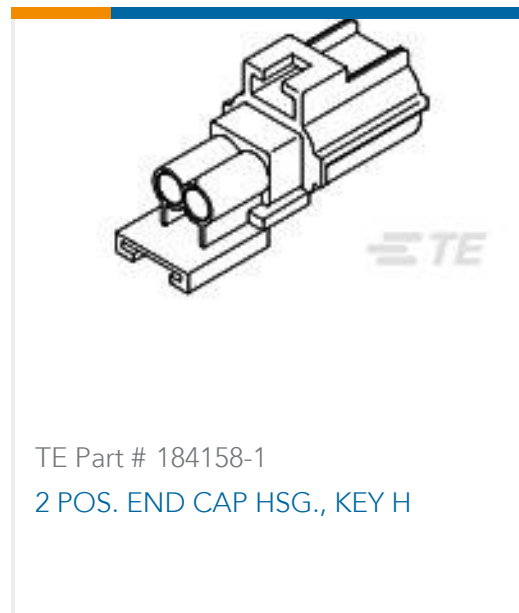
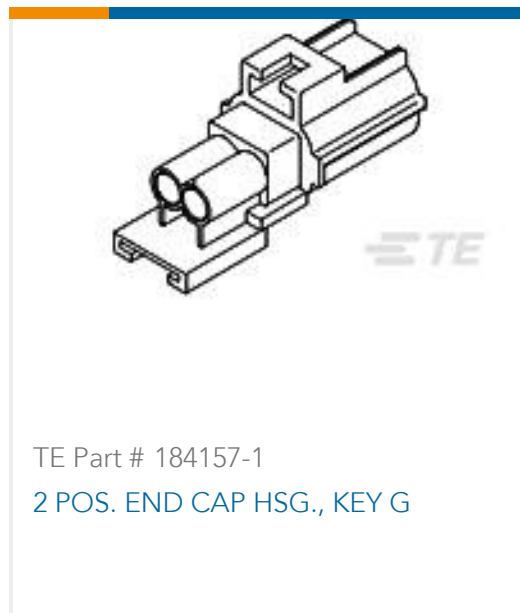
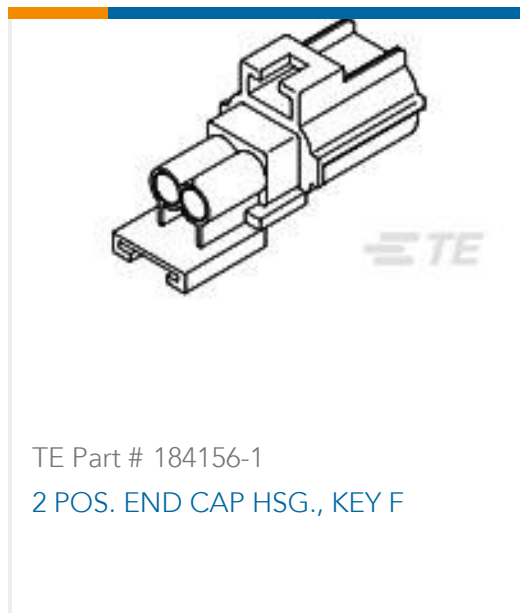
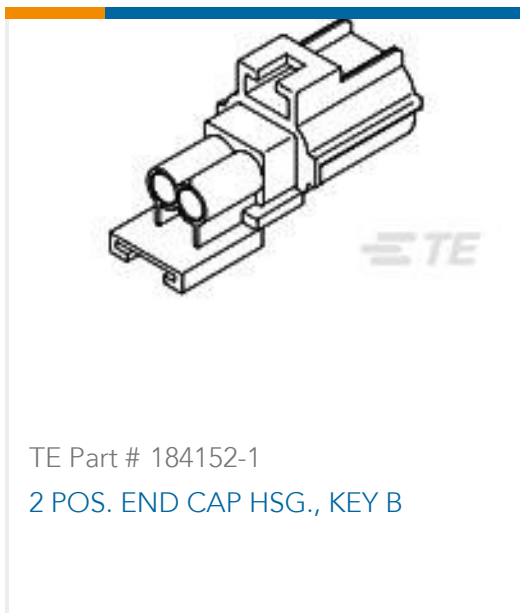
TE Part # 184128-1
 6 POS./6 CIRC. PLUG ASSY,KEY D



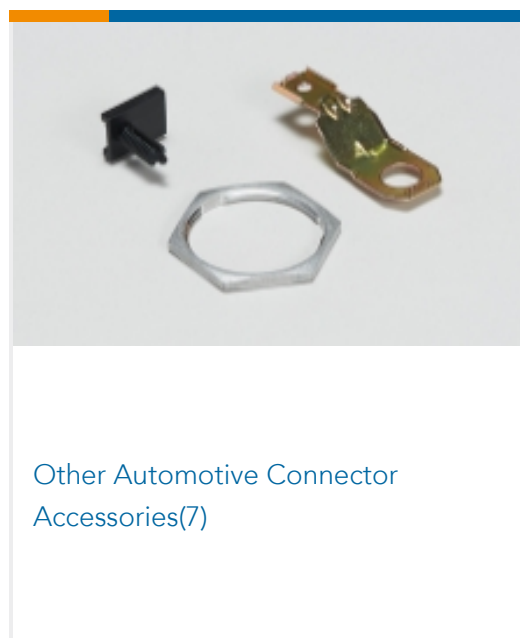
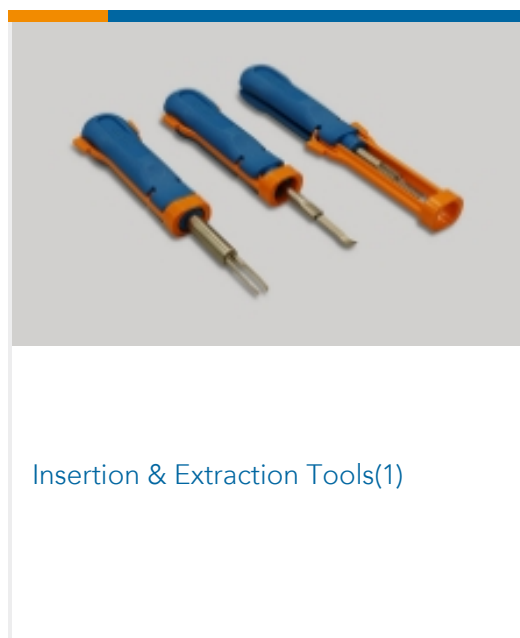
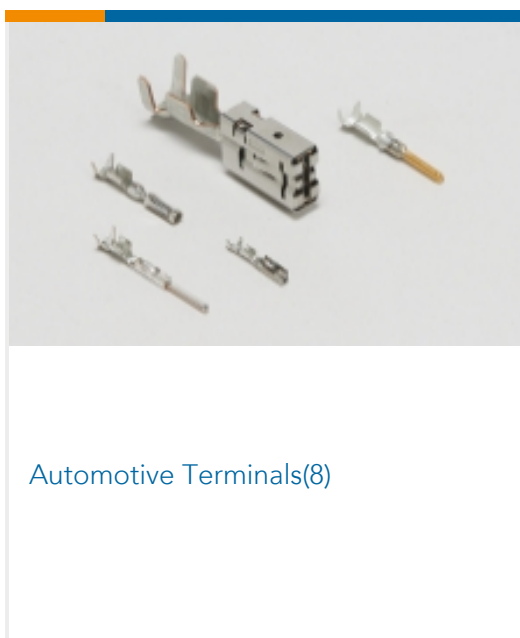
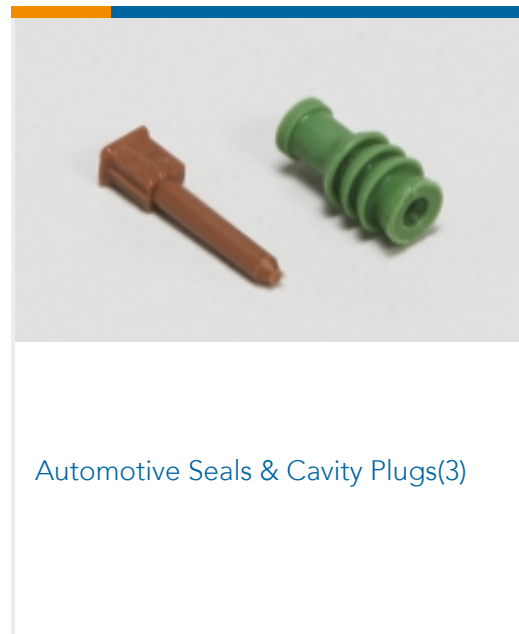
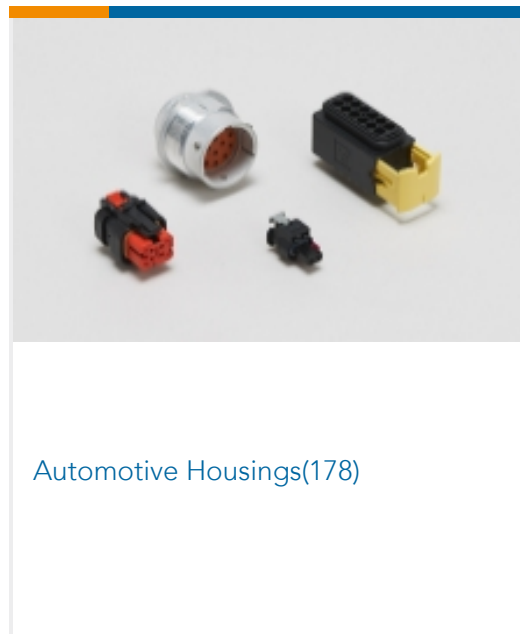
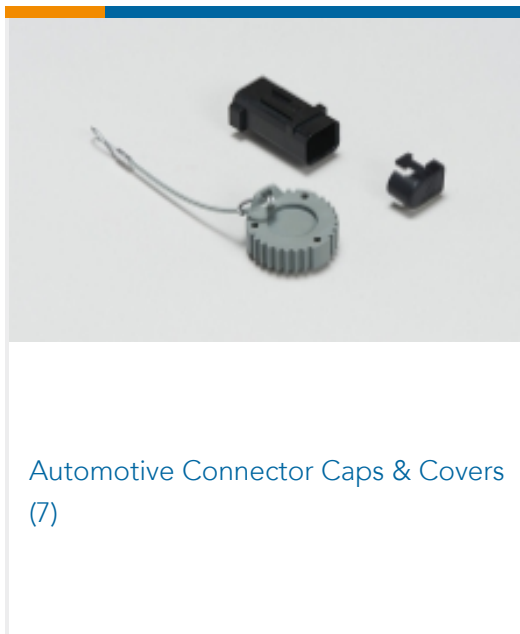
TE Part # 184134-1
 6 POS./4 CIRC PLUG ASSY, KEY C



TE Part # 184136-1
 6 POS./4 CIRC. PLUG ASSY,KEY D

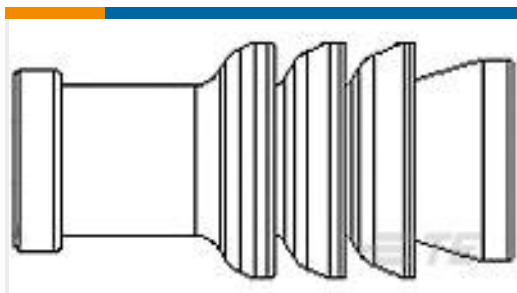


Also in the Series | Sealed Sensor Connector SSC System

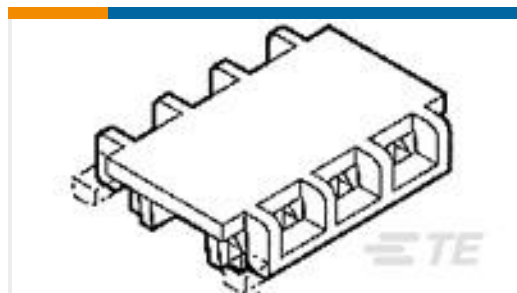


Customers Also Bought





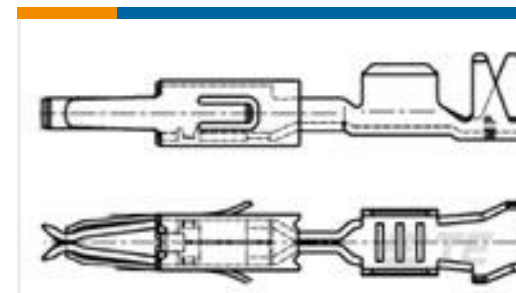
TE Part #967067-1
MQS SGL WIRE SEAL



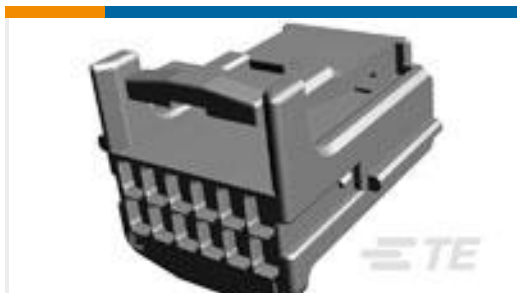
TE Part #643071-4
04P MTA156 FD-THRU COVER



TE Part #917309-1
MINI MLC CONN. TAB CONT.



TE Part #964261-2
MT2 A REC 1.6 Contact SRC Sn



TE Part #1379662-2
12W PLUG HSG ASSY GRAY

Documents

Product Drawings

[TRW E9DB-14A163-CA](#)

English

CAD Files

[3D PDF](#)

English

Customer View Model

[ENG_CVM_184288-1_A.2d_dxf.zip](#)

English

Customer View Model

[ENG_CVM_184288-1_A.3d_igs.zip](#)

English

Customer View Model

[ENG_CVM_184288-1_A.3d_stp.zip](#)

English

By downloading the CAD file I accept and agree to the [Terms and Conditions](#) of use.

Product Specifications

[Application Specification](#)

English

Instruction Sheets

[Instruction Sheet \(U.S.\)](#)

English

[Instruction Sheet \(U.S.\)](#)

English

