



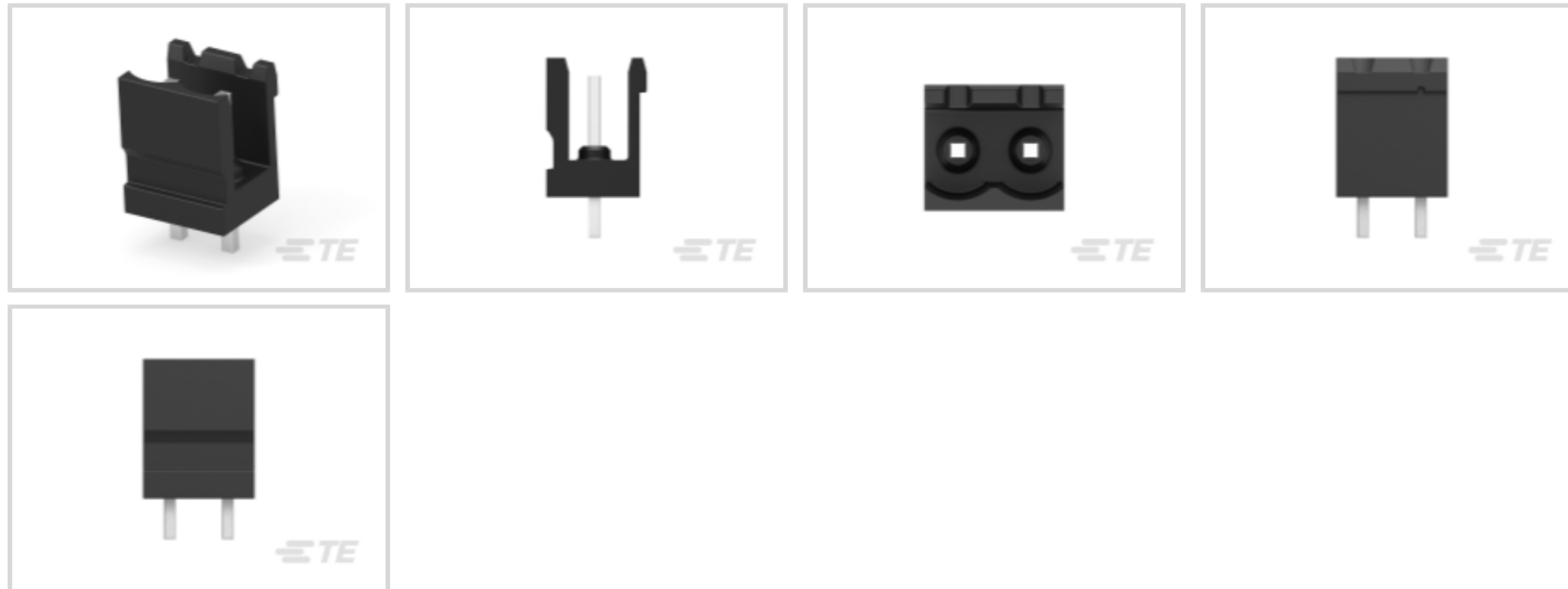
Buchanan

TE Internal #: 1776138-2

PCB Terminal Blocks, Header, Wire-to-Board, 2 Position, .197 in [5 mm] Centerline, 1 Row, 15 A, 300 VAC, Printed Circuit Board, Power & Signal

[View on TE.com >](#)

Connectors > Terminal Blocks & Strips > PCB Terminal Blocks



Terminal Block Connector Type: **Header**

Connector System: **Wire-to-Board**

Number of Positions: **2**

Centerline (Pitch): **5 mm [.197 in]**

Number of Rows: **1**

Features

Product Type Features

Wire Protection	With
Block Type	PCB Mount
Header Type	Partially Shrouded
Terminal Block Connector Type	Header
Connector System	Wire-to-Board
Connector & Contact Terminates To	Printed Circuit Board

Configuration Features

Threaded Flange	Without
Closed End	Without
Stacking Configuration	Side Stackable
Number of Positions	2
Number of Rows	1

Electrical Characteristics

Current Rating (Max)	15 A
----------------------	------



Voltage Rating	300 VAC
----------------	---------

Body Features

Interlock	Without
-----------	---------

Contact Features

Contact Mating Area Plating Material	Tin
--------------------------------------	-----

Contact Mount	Through Hole
---------------	--------------

Contact Base Material	Copper Alloy
-----------------------	--------------

Contact Current Rating (Max)	15 A
------------------------------	------

Mechanical Attachment

Screwless Terminal Block	No
--------------------------	----

Mounting Angle	Vertical
----------------	----------

Screw Flange	Without
--------------	---------

Connector Mounting Type	Board Mount
-------------------------	-------------

Housing Features

Housing Color	Black
---------------	-------

Housing Material	High Temperature Polyamide
------------------	----------------------------

Centerline (Pitch)	5 mm [.197 in]
--------------------	----------------

Dimensions

PCB Tail Length	3.5 mm [.138 in]
-----------------	------------------

Usage Conditions

Operating Temperature Range	-40 – 105 °C [-40 – 221 °F]
-----------------------------	-----------------------------

Operation/Application

Circuit Application	Power & Signal
---------------------	----------------

Packaging Features

Packaging Method	Box
------------------	-----

Packaging Quantity	300
--------------------	-----

Product Compliance

[For compliance documentation, visit the product page on TE.com>](#)

EU RoHS Directive 2011/65/EU	Not Compliant
------------------------------	---------------

EU ELV Directive 2000/53/EC	Compliant
-----------------------------	-----------



China RoHS 2 Directive MIIT Order No 32, 2016	Restricted Materials Above Threshold
EU REACH Regulation (EC) No. 1907/2006	Current ECHA Candidate List: JUNE 2022 (224) Candidate List Declared Against: JAN 2022 (223) SVHC > Threshold: Pb (.8% in Component Part) Article Safe Usage Statements: Do not eat, drink or smoke when using this product. Wash thoroughly after handling. Recycle if possible and dispose of the article by following all applicable governmental regulations relevant to your geographic location.
Halogen Content	Low Halogen - Br, Cl, F, I < 900 ppm per homogenous material. Also BFR/CFR/PVC Free
Solder Process Capability	Wave solder capable to 265°C

Product Compliance Disclaimer

This information is provided based on reasonable inquiry of our suppliers and represents our current actual knowledge based on the information they provided. This information is subject to change. The part numbers that TE has identified as EU RoHS compliant have a maximum concentration of 0.1% by weight in homogenous materials for lead, hexavalent chromium, mercury, PBB, PBDE, DBP, BBP, DEHP, DIBP, and 0.01% for cadmium, or qualify for an exemption to these limits as defined in the Annexes of Directive 2011/65/EU (RoHS2). Finished electrical and electronic equipment products will be CE marked as required by Directive 2011/65/EU. Components may not be CE marked. Additionally, the part numbers that TE has identified as EU ELV compliant have a maximum concentration of 0.1% by weight in homogenous materials for lead, hexavalent chromium, and mercury, and 0.01% for cadmium, or qualify for an exemption to these limits as defined in the Annexes of Directive 2000/53/EC (ELV). Regarding the REACH Regulation, the information TE provides on SVHC in articles for this part number is based on the latest European Chemicals Agency (ECHA) 'Guidance on requirements for substances in articles' posted at this URL: <https://echa.europa.eu/guidance-documents/guidance-on-reach>

Compatible Parts

TE Part # 282822-2
TERMI-BLOK HEADER, ASSY 2P.

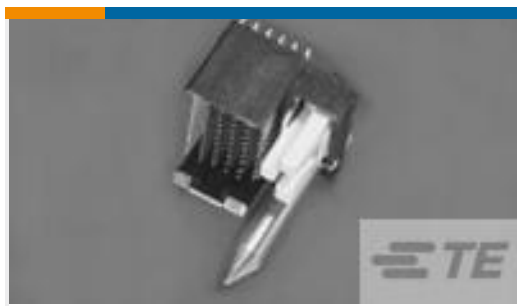
TE Part # 1546118-2
2POS.5MM VERT.PLUG LH BLCK

TE Part # 796640-2
2 POS 5.0 MM R/A PLUG, TRM BLK

TE Part # 796641-2
2 POS 5.0 MM R/A PLUG, TRM BLK

TE Part # 796696-2
TERMI-BLOK PLUG STACKING 2POS.

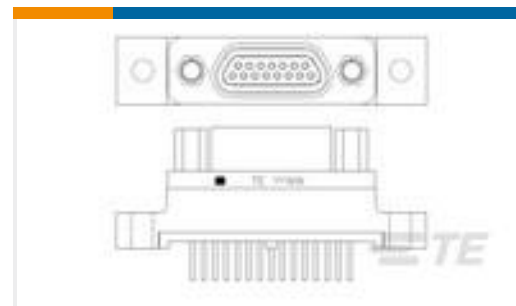
Customers Also Bought



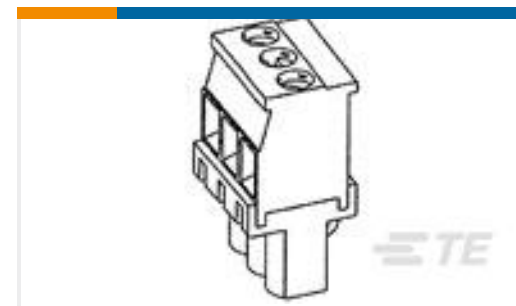
TE Part #5120643-1
2MM HM HDR ASY,12 ROW 072 R H



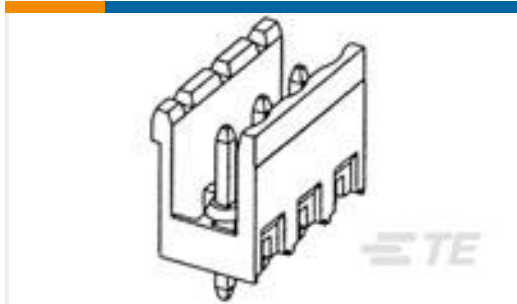
TE Part #YDTS24W19-35HNV001
RECP ASSY



TE Part #1532275-2
M83513/25-B01CP = MCK5-C2-P-15SST1



TE Part #1546118-3
3POS.5MM VERT.PLUG LH BLCK 15SST1



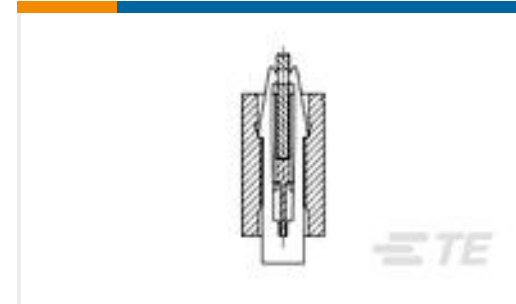
TE Part #1776138-3
3P TERMI-BLOK HDR,HIGH TEMP



TE Part #5120670-1
Z-PACK HS3 HDR ASY 10R 50P



TE Part #5120672-1
Z-PACK HS3 HDR ASY 10R 50P



TE Part #530213-1
LOCKING KEY



TE Part #2-146308-0
40 MODII HDR DRRA B/A .100

Documents

Product Drawings

[2P TERMI-BLOK HDR,HIGH TEMP](#)

English

CAD Files

[3D PDF](#)

3D

Customer View Model

[ENG_CVM_CVM_1776138-2_A.2d_dxf.zip](#)

English

Customer View Model

[ENG_CVM_CVM_1776138-2_A.3d_igs.zip](#)

English

Customer View Model

[ENG_CVM_CVM_1776138-2_A.3d_stp.zip](#)

English

By downloading the CAD file I accept and agree to the [Terms and Conditions](#) of use.

Datasheets & Catalog Pages



[1-1773458-1_EURO_STYLE_TERMINAL_BLOCKS_QRG](#)

English

[Product Specifications](#)

[Application Specification](#)

English