

PLEASE CHECK WWW.MOLEX.COM FOR LATEST PART INFORMATION

Part Number: [0190030074](#)
Status: **Active**
Description: InsulKrimp™ Quick Disconnect, Female, for 18-22 (0.80-0.35), Mylar Tape, Tab 5.21mm (.205") x 0.51mm (.020")

Documents:

[Drawing \(PDF\)](#) [RoHS Certificate of Compliance \(PDF\)](#)
[Product Specification PS-19902-008 \(PDF\)](#)

General

Product Family	Quick Disconnects
Series	19003
Comments	Funnel Entry
Product Name	InsulKrimp™
Type	Quick Disconnect

Physical

Barrel Type	Closed
Color - Resin	Natural
Flammability	94V-2
Gender	Female
Glow-Wire Compliant	No
Insulation	Nylon (PA)
Lock to Mating Part	None
Material - Metal	Brass
Material - Plating Mating	Tin
Material - Plating Termination	Tin
Material - Resin	Nylon
Orientation	Straight
Packaging Type	Adhesive Tape on Reel
Plating min: Mating (µin)	160
Plating min: Mating (µm)	4
Plating min: Termination (µin)	160
Plating min: Termination (µm)	4
Polarized to Mating Part	No
Tab Thickness	0.51mm (.020")
Tab Width	5.21mm (.205")
Temperature Range - Operating	-65°C to +105°C
Termination Interface: Style	Crimp or Compression
Wire Insulation Diameter	3.43mm (.135") max.
Wire Size AWG	18
Wire Size AWG	20
Wire Size AWG	22
Wire Size mm²	0.35 - 0.80

Electrical

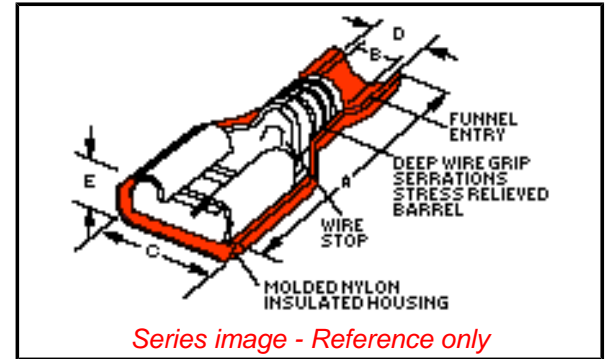
UL	E79133
Voltage - Maximum	600V

Material Info

Old Part Number	AA-2213T
-----------------	----------

Reference - Drawing Numbers

Product Specification	PS-19902-008
Sales Drawing	SD-19003-005



EU RoHS

ELV and RoHS Compliant

REACH SVHC

Not Reviewed

Halogen-Free

Status

Not Reviewed

Need more information on product environmental compliance?

Email productcompliance@molex.com
Please visit the [Contact Us](#) section for any non-product compliance questions.

China RoHS



Search Parts in this Series

19003 Series

Application Tooling | FAQ

Tooling specifications and manuals are found by selecting the products below. Crimp Height Specifications are then contained in the Application Tooling Specification document.

Global

Description

Product #

ATP Perishable Tool Kit Used in ATP Presses that Process Product on Tape Mini-Mac™ Applicator	0192880049 0638857000
---	--

This document was generated on 11/04/2009

PLEASE CHECK WWW.MOLEX.COM FOR LATEST PART INFORMATION