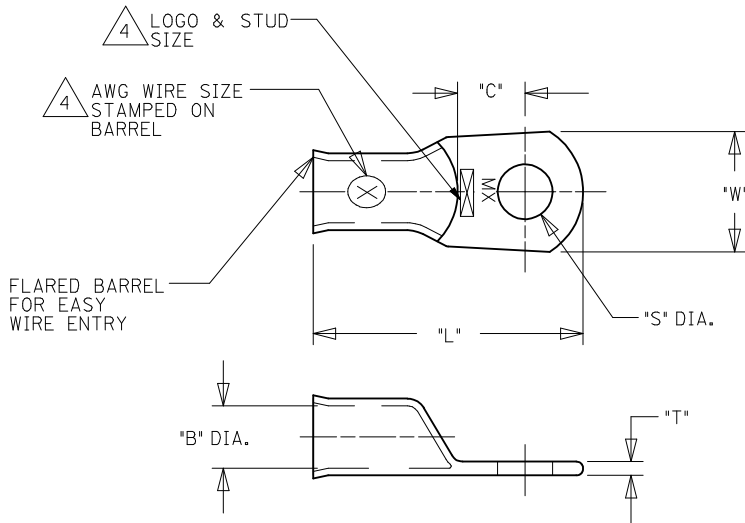


| 13 | 12 | 11 | 10 | 9 | 8 | 7 | 6 | 5 | 4 | 3 | 2 | 1 |
|--------------------------|----------------------|------------------------|---------------------------|--------------------|----------------|---------------------|---------------------|---------------------|---------------------|---------------------|---------------------|-------------|
| UNPLATED MATERIAL NUMBER | UNPLATED ENG. NUMBER | PLATED MATERIAL NUMBER | PLATED ENGINEERING NUMBER | STUD SIZE | AWG WIRE RANGE | "S" ±.015/(0.38) | "L" ±.100/(2.54) | "W" ±.035/(0.89) | "C" ±.050/(1.27) | "B" ±.020/(0.51) | "T" ±.020/(0.50) | |
| J | 1922 10423 | BCL-1014 | 1922 10422 | BCL-1014-PL | 1/4/(6.4) | 1/0 | .278/(7.06) | 1.844/(46.84) | .728/(18.49) | .460/(11.68) | .400/(10.16) | .110/(2.80) |
| | 1922 10394 | BCL-10516 | 1922 10240 | BCL-10516-PL | 5/16/(7.9) | 1/0 | .340/(8.64) | 1.844/(46.84) | .728/(18.49) | .460/(11.68) | .400/(10.16) | .110/(2.80) |
| | 1922 10377 | BCL-1038 | 1922 10241 | BCL-1038-PL | 3/8/(9.5) | 1/0 | .400/(10.16) | 1.844/(46.84) | .728/(18.49) | .460/(11.68) | .400/(10.16) | .110/(2.80) |
| | 1922 10441 | BCL-1038-WP | 1922 10440 | BCL-1038-WP-PL | 3/8/(9.5) | 1/0 | .400/(10.16) | 1.906/(48.41) | .813/(20.65) | .442/(11.23) | .400/(10.16) | .110/(2.80) |
| | 1922 10393 | BCL-1012 | 1922 10242 | BCL-1012-PL | 1/2/(12.7) | 1/0 | .520/(13.21) | 1.844/(46.84) | .728/(18.49) | .460/(11.68) | .400/(10.16) | .110/(2.80) |
| | 1922 10437 | BCL-1012-WP | 1922 10436 | BCL-1012-WP-PL | 1/2/(12.7) | 1/0 | .520/(13.21) | 1.906/(48.41) | .813/(20.65) | .442/(11.23) | .400/(10.16) | .110/(2.80) |
| I | 1922 10249 | BCL-2014 | 1922 10234 | BCL-2014-PL | 1/4/(6.4) | 2/0 | .278/(7.06) | 2.062/(52.37) | .824/(20.93) | .522/(13.26) | .461/(11.71) | .110/(2.80) |
| | 1922 10398 | BCL-20516 | 1922 10243 | BCL-20516-PL | 5/16/(7.9) | 2/0 | .340/(8.64) | 2.062/(52.37) | .824/(20.93) | .522/(13.26) | .461/(11.71) | .110/(2.80) |
| | 1922 10379 | BCL-2038 | 1922 10244 | BCL-2038-PL | 3/8/(9.5) | 2/0 | .400/(10.16) | 2.062/(52.37) | .824/(20.93) | .522/(13.26) | .461/(11.71) | .110/(2.80) |
| | 1922 10397 | BCL-2012 | 1922 10245 | BCL-2012-PL | 1/2/(12.7) | 2/0 | .520/(13.21) | 2.062/(52.37) | .824/(20.93) | .522/(13.26) | .461/(11.71) | .110/(2.80) |
| | 1922 10597 | BCL-2058 | 1922 10598 | BCL-2058-PL | 5/8/(15.9) | 2/0 | .656/(16.66) | 2.062/(52.37) | .824/(20.93) | .522/(13.26) | .461/(11.71) | .110/(2.80) |
| | 1922 10478 | BCL-3014 | 1922 10570 | BCL-3014-PL | 1/4/(6.4) | 3/0 | .278/(7.06) | 2.156/(54.76) | .916/(23.27) | .501/(12.73) | .511/(12.93) | .115/(2.92) |
| | 1922 10402 | BCL-30516 | 1922 10246 | BCL-30516-PL | 5/16/(7.9) | 3/0 | .340/(8.64) | 2.156/(54.76) | .916/(23.27) | .501/(12.73) | .511/(12.93) | .115/(2.92) |
| H | 1922 10381 | BCL-3038 | 1922 10247 | BCL-3038-PL | 3/8/(9.5) | 3/0 | .400/(10.16) | 2.156/(54.76) | .916/(23.27) | .501/(12.73) | .511/(12.93) | .115/(2.92) |
| | 1922 10401 | BCL-3012 | 1922 10248 | BCL-3012-PL | 1/2/(12.7) | 3/0 | .520/(13.21) | 2.156/(54.76) | .916/(23.27) | .501/(12.73) | .511/(12.93) | .115/(2.92) |
| | 1922 10502 | BCL-40516(.625) | 1922 10503 | BCL-40516-PL(.625) | 5/16/(7.9) | 4/0 | .340/(8.63) | 2.688/(68.28) | 1.099/(27.91) | .557/(14.15) | .625/(15.88) | .135/(3.43) |
| | 1922 10374 | BCL-4038(.625) | 1922 10371 | BCL-4038-PL(.625) | 3/8/(9.5) | 4/0 | .400/(10.16) | 2.688/(68.28) | 1.099/(27.91) | .557/(14.15) | .625/(15.88) | .135/(3.43) |
| | 1922 10375 | BCL-4012(.625) | 1922 10372 | BCL-4012-PL(.625) | 1/2(12.7) | 4/0 | .520/(13.21) | 2.688/(68.28) | 1.099/(27.91) | .557/(14.15) | .625/(15.88) | .135/(3.43) |
| | 1922 10376 | BCL-4058(.625) | 1922 10373 | BCL-4058-PL(.625) | 5/8 (15.9) | 4/0 | .656/(16.66) | 2.688/(68.28) | 1.099/(27.91) | .557/(14.15) | .625/(15.88) | .135/(3.43) |
| G | 1922 10413 | BCL-40516 | 1922 10412 | BCL-40516-PL | 5/16/(7.9) | 4/0 | .340/(8.63) | 2.344/(59.54) | .999/(25.37) | .550/(13.97) | .559/(14.20) | .135/(3.43) |
| | 1922 10382 | BCL-4038 | 1922 10250 | BCL-4038-PL | 3/8/(9.5) | 4/0 | .400/(10.16) | 2.344/(59.54) | .999/(25.37) | .550/(13.97) | .559/(14.20) | .135/(3.43) |
| | 1922 10403 | BCL-4012 | 1922 10251 | BCL-4012-PL | 1/2(12.7) | 4/0 | .520/(13.21) | 2.344/(59.54) | .999/(25.37) | .550/(13.97) | .559/(14.20) | .135/(3.43) |
| | 1922 10446 | BCL-25038 | 1922 10447 | BCL-25038-PL | 3/8/(9.5) | 250 | .400/(10.16) | 2.656/(67.46) | 1.203/(30.56) | .676/(17.17) | .685/(17.40) | .125/(3.18) |
| | 192210652 | BCL-4014 | 192210648 | BCL-4014-PL | 1/4/(6.4) | 4/0 | .278/(7.061) | 2.344/(59.54) | .984/(24.99) | .550/(13.97) | .559/(13.97) | .135/(3.43) |
| | - | - | 192210847 | BCL-1010MM-PL | 10mm | 1/0 | .417/(10.59) | 1.844/(46.84) | .728/(18.49) | .460/(11.86) | .400/(10.16) | .110/(2.80) |
| | - | - | 192210848 | BCL-2010MM-PL | 10mm | 2/0 | .417/(10.59) | 2.062/(52.37) | .824/(20.93) | .522/(13.26) | .461/(11.71) | .110/(2.80) |
| F | - | - | 192210862 | BCL-3010MM-PL | 10mm | 3/0 | .417/(10.59) | 2.156/(54.76) | .916/(23.273) | .501/(12.73) | .511/(12.93) | .115/(2.92) |



SALES DRAWING

- NOTES:
- FOR INSPECTION SIGHT HOLE, PLEASE CONSULT FACTORY.
 - OTHER STUD SIZES MAY BE AVAILABLE, PLEASE CONSULT FACTORY.
 - MATERIAL: COPPER
PLATING: TIN
 - MARKINGS CAN BE AT EITHER LOCATION SHOWN.
 - IF TONGUE IS TO BE BENT AT ANY ANGLE, IT MUST BE BENT AROUND A RADIUS ONE HALF THE TONGUE THICKNESS.
 - USE .625/(15.88) BARREL I.D. FOR HIGH STRAND WELDING CABLE.

| ADD MATL #. BCL-4058(.625) EC NO: IPGZ2016-0026 DRWINGRO JASO1 2015/07/06 CHKD: JACNEIL 2015/07/06 APPR: JACNEIL 2015/07/13 (REV) DESCRIPTION | QUALITY SYMBOLS | GENERAL TOLERANCES (UNLESS SPECIFIED) <table border="1"> <tr> <th></th> <th>mm</th> <th>INCH</th> </tr> <tr> <td>4 PLACES</td> <td>± .005</td> <td>± .0005</td> </tr> <tr> <td>3 PLACES</td> <td>± .005</td> <td>± .001</td> </tr> <tr> <td>2 PLACES</td> <td>± 0.13</td> <td>± .01</td> </tr> <tr> <td>1 PLACE</td> <td>± 0.25</td> <td>± .01</td> </tr> <tr> <td colspan="3">ANGULAR ± ---°</td> </tr> </table> | | mm | INCH | 4 PLACES | ± .005 | ± .0005 | 3 PLACES | ± .005 | ± .001 | 2 PLACES | ± 0.13 | ± .01 | 1 PLACE | ± 0.25 | ± .01 | ANGULAR ± ---° | | | DIMENSION STYLE | SCALE | DESIGN UNITS | THIRD ANGLE PROJECTION |
|--|--|--|---|------|--|----------|--------|---------|----------|--------|--------|----------|--------|-------|---------|--------|-------|----------------|--|--|-----------------|-------|--------------|------------------------|
| | | | mm | INCH | | | | | | | | | | | | | | | | | | | | |
| | 4 PLACES | ± .005 | ± .0005 | | | | | | | | | | | | | | | | | | | | | |
| | 3 PLACES | ± .005 | ± .001 | | | | | | | | | | | | | | | | | | | | | |
| 2 PLACES | ± 0.13 | ± .01 | | | | | | | | | | | | | | | | | | | | | | |
| 1 PLACE | ± 0.25 | ± .01 | | | | | | | | | | | | | | | | | | | | | | |
| ANGULAR ± ---° | | | | | | | | | | | | | | | | | | | | | | | | |
| | IN/MM | -- | INCH | | | | | | | | | | | | | | | | | | | | | |
| | DRAFT WHERE APPLICABLE MUST REMAIN WITHIN DIMENSIONS | SEE CHART | DRAWN BY DATE BRE 2002/06/24 CHECKED BY DATE HEB 2002/06/24 APPROVED BY DATE RWD 2002/06/24 | | TITLE BATTERY CABLE LUG COPPER TERMINALS 1/0, 2/0, 3/0 & 4/0 | | | | | | | | | | | | | | | | | | | |
| | | | MATERIAL NO. SEE CHART | | MOLEX INCORPORATED DOCUMENT NO. SD-19221-011 | | | | | | | | | | | | | | | | | | | |
| | | | THIS DRAWING CONTAINS INFORMATION THAT IS PROPRIETARY TO MOLEX INCORPORATED AND SHOULD NOT BE USED WITHOUT WRITTEN PERMISSION | | SHEET NO. 1 OF 1 | | | | | | | | | | | | | | | | | | | |