

183035-1 ✓ ACTIVE

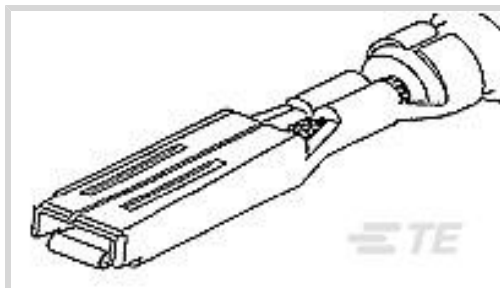
AMP Superseal 1.5mm Series

TE Internal #: 183035-1

TE Internal Description: MINI MIC RCPT CONT.ACT.LP

AMP SUPERSEAL 1.5MM, RECEPTACLE AND TAB

[View on TE.com >](#)



All AMP SUPERSEAL 1.5MM, RECEPTACLE AND TAB (15)

Product Compliance

[For compliance documentation, visit the product page on TE.com>](#)

EU RoHS Directive 2011/65/EU	Compliant
EU ELV Directive 2000/53/EC	Compliant
China RoHS 2 Directive MIIT Order No 32, 2016	No Restricted Materials Above Threshold
EU REACH Regulation (EC) No. 1907/2006	Current ECHA Candidate List: JUNE 2022 (224) Candidate List Declared Against: JUNE 2022 (224) Does not contain REACH SVHC
Halogen Content	Low Halogen - Br, Cl, F, I < 900 ppm per homogenous material. Also BFR/CFR/PVC Free
Solder Process Capability	Not applicable for solder process capability

Product Compliance Disclaimer

This information is provided based on reasonable inquiry of our suppliers and represents our current actual knowledge based on the information they provided. This information is subject to change. The part numbers that TE has identified as EU RoHS compliant have a maximum concentration of 0.1% by weight in homogenous materials for lead, hexavalent chromium, mercury, PBB, PBDE, DBP, BBP, DEHP, DIBP, and 0.01% for cadmium, or qualify for an exemption to these limits as defined in the Annexes of Directive 2011/65/EU (RoHS2). Finished electrical and electronic equipment products will be CE marked as required by Directive 2011/65/EU. Components may not be CE marked. Additionally, the part numbers that TE has identified as EU ELV compliant have a maximum concentration of 0.1% by weight in homogenous materials for lead, hexavalent chromium, and mercury, and 0.01% for cadmium, or qualify for an exemption to these limits as defined in the Annexes of Directive 2000/53/EC (ELV). Regarding the REACH Regulation, the information TE provides on SVHC in articles for this part number is based on the latest European Chemicals Agency (ECHA) 'Guidance on requirements for substances in articles' posted at this URL: <https://echa.europa.eu/guidance-documents/guidance-on-reach>

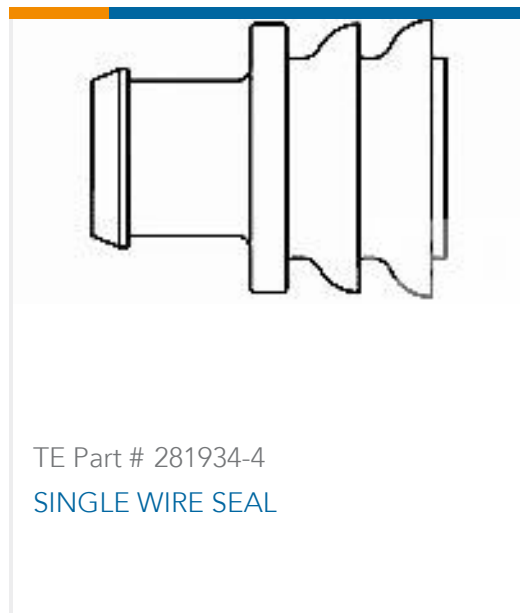
Compatible Parts



TE Part # 785084-1
EXT TOOL SOC-LOC TAB 1.5 CONN



TE Part # 9-1579007-1
EXTRACTION TOOL



TE Part # 281934-4
SINGLE WIRE SEAL



TE Part # 539773-2
DIE FUER MINI MIC

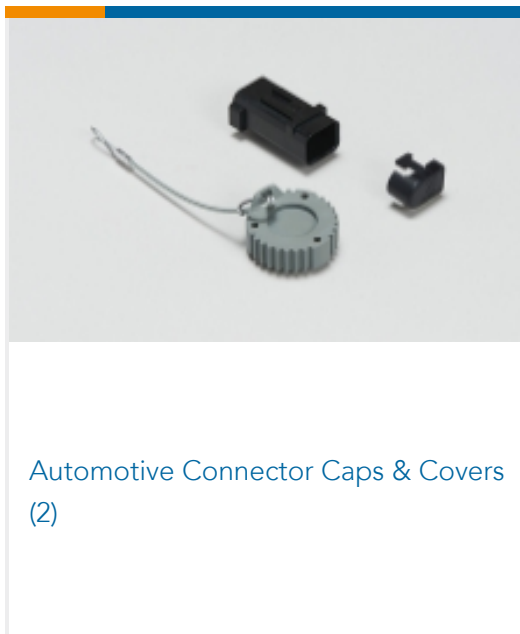


TE Part # 2031676-1
SDE F MINI MIC 0.35-1.5mm2 ASSY

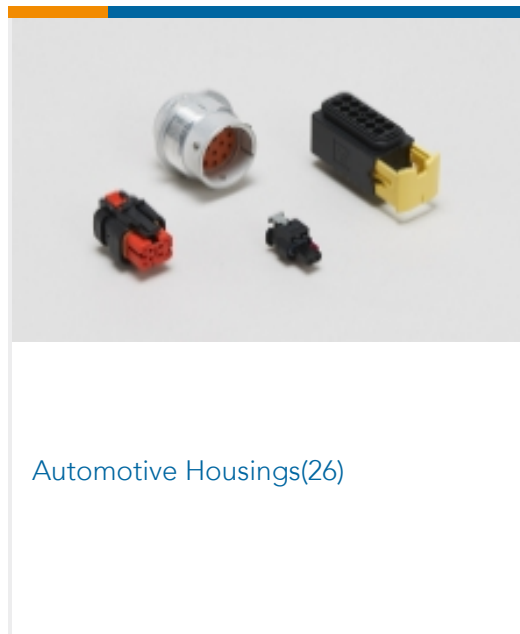


TE Part # 2031676-2
SDE F MINI MIC 0.35-1.5mm2 DIE SET

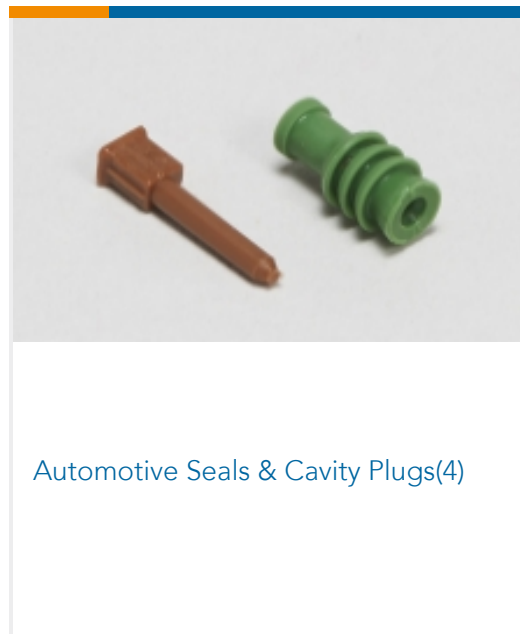
Also in the Series | AMP Superseal 1.5mm Series



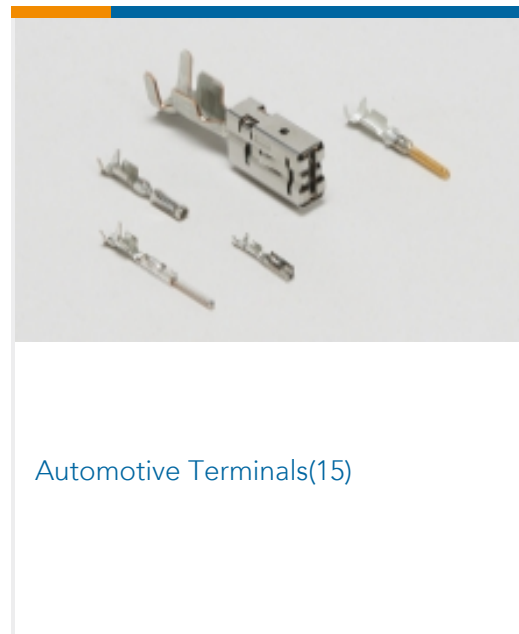
Automotive Connector Caps & Covers (2)



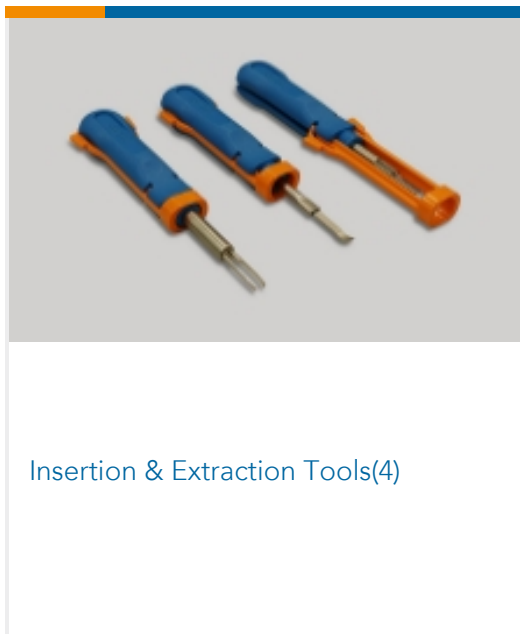
Automotive Housings(26)



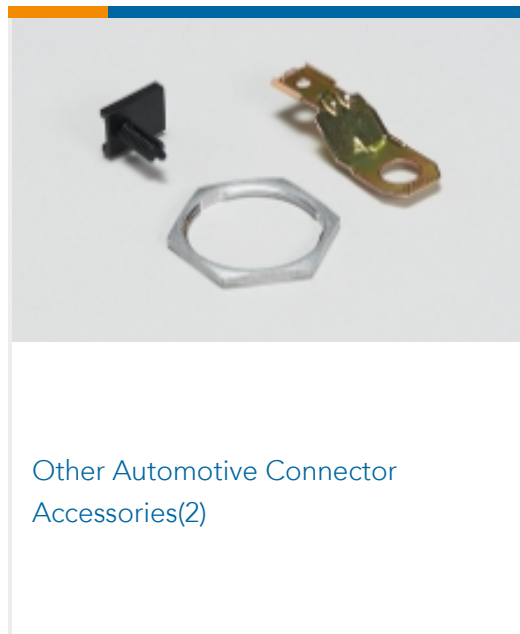
Automotive Seals & Cavity Plugs(4)



Automotive Terminals(15)



Insertion & Extraction Tools(4)

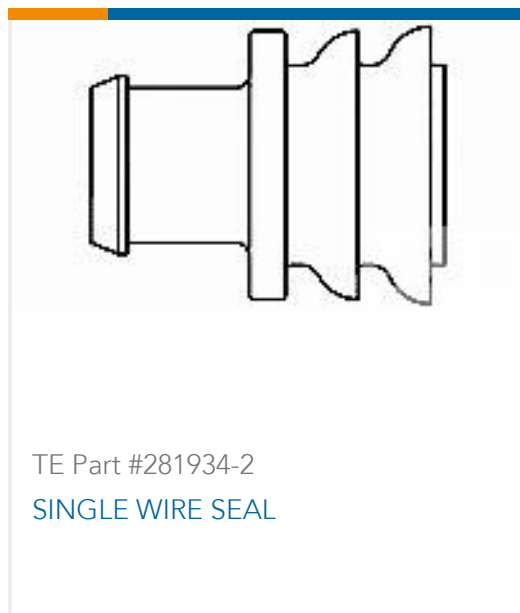


Other Automotive Connector Accessories(2)

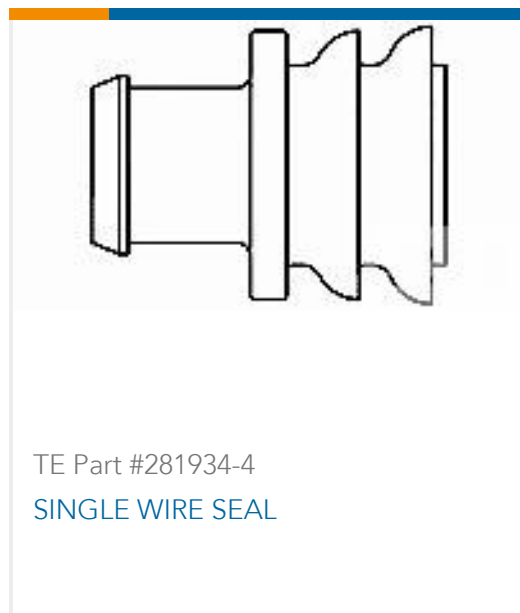
Customers Also Bought



TE Part #282105-1
AMP SUPERSEAL 1.5MM,
CONNECTOR HOUSING



TE Part #281934-2
SINGLE WIRE SEAL



TE Part #281934-4
SINGLE WIRE SEAL



TE Part #183024-1
AMP SUPERSEAL 1.5MM,
RECEPTACLE AND TAB



Documents

Product Drawings

[MINI MIC RCPT CONT.ACT.LP](#)

English

CAD Files

Customer View Model

[ENG_CVM_183035-1_A.3d_igs.zip](#)

English

Customer View Model

[ENG_CVM_183035-1_A.3d_stp.zip](#)

English

Customer View Model

[ENG_CVM_183035-1_A.2d_dxf.zip](#)

English

3D PDF

English

By downloading the CAD file I accept and agree to the [Terms and Conditions](#) of use.

Datasheets & Catalog Pages

[AMP SUPERSEAL 1.5mm Connector System](#)

English

[ICT Terminals and Connectors Catalogue](#)

English

Product Environmental Compliance

[Product Compliance](#)

English

[Product Compliance](#)

English

Instruction Sheets

[Hand application tool P/N 785353-1](#)

English

[Instruction Sheet \(non U.S.\)](#)

English