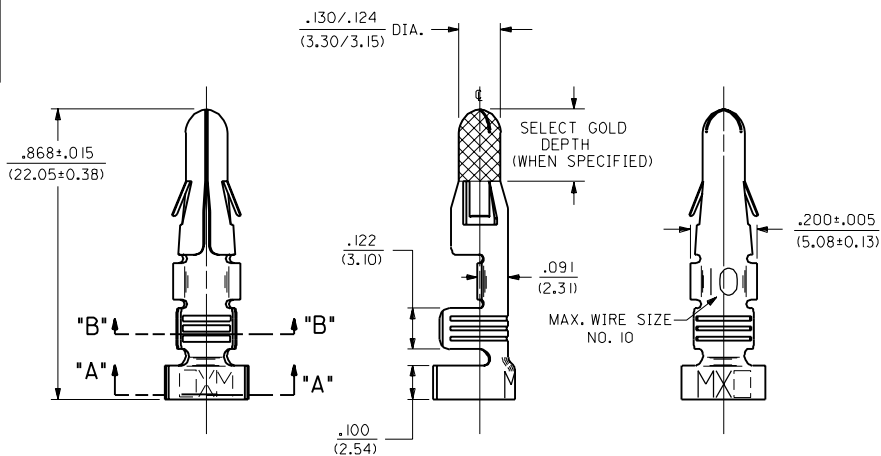
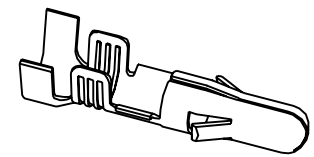
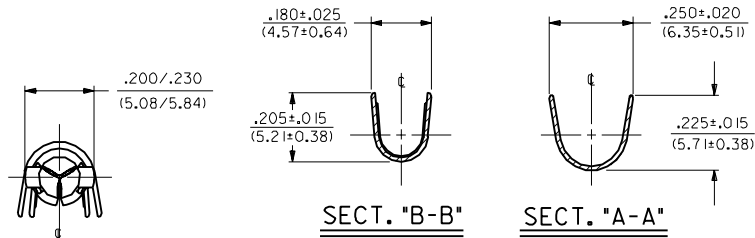


PART NO.	ENG. NO.
18-12-2602	1900-1(P90)1L
18-12-2601	1900-1(P90)1



NOTES:

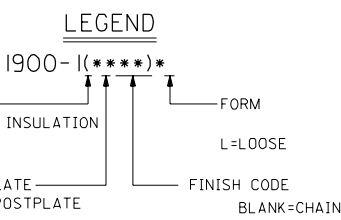
1. TERMINAL FOR USE WITH .125/(3.17) SERIES HOUSINGS AND WILL ACCEPT 10 THRU 14 AWG WIRE HAVING A .180/(4.57) MAX. DIAMETER INSULATION.
2. INSERTION FORCE: 6.0 LBS. MAX. WHEN TERMINAL IS INSERTED INTO .125/(3.17) DIA. CORE HOLE.
3. PULL OUT FORCE: 30 LBS. MIN. RETENTION IN HOUSING.

FINISH CODES:

901 HOT TIN DIP .000020/(0.0005) MIN.

MATERIAL NOTES:

1. CARTRIDGE BRASS, ALLOY #C26000; .013/(0.33) THICK, SPRING TEMPER



DRAWN BY	DATE	REV.	DESCRIPTION
D2			ADDED ISO VIEW UCR 1998-0248 WANG 98-05-20
D1			OBS. - (K555) & - (K555) L ECR US 0379 GW 9/21/95 RW
D			ADD SELECT AREA ECR LUO 0230 3-5-90 RW
C			ADD "NO P.S." PER ECR US 1189 11-27-89 TRM
B			REV. & REDRAWN ECR US 1602 CEP 6-6-89 RW

DIMENSIONS SHOWN (METRIC) INCH		TITLE	
UNLESS OTHERWISE SPECIFIED TOLERANCES: ANGULAR ± .010		1900-1	
3 PLACE	± .010	CRIMP TERMINAL, MALE, .125/(3.17) DIA 10-14 AWG .180/(4.57) DIA. INSUL.	
2 PLACE	± .014 ± 0.25	PART NO. SD-1900-1	
1 PLACE	--- ± 0.35	MOLEX INCORPORATED SHEET NO. 1 OF 1 DATE 6/30/88	
DRAFT WHERE APPLICABLE MUST REMAIN WITHIN DIMENSIONS		L15LJLL 60532 U.S.A.	
DRWG. BY: CEP	CHKD. BY: RW	REV. LTR. REVISIONS	
APP'D. RAS	SCALE: 4 : 1	THIS DRAWING CONTAINS INFORMATION THAT IS PROPRIETARY TO MOLEX INC. AND SHOULD NOT BE USED WITHOUT WRITTEN PERMISSION. CP C	
NO P.S.		NO P.S.	