

1871867-1 ✓ ACTIVE



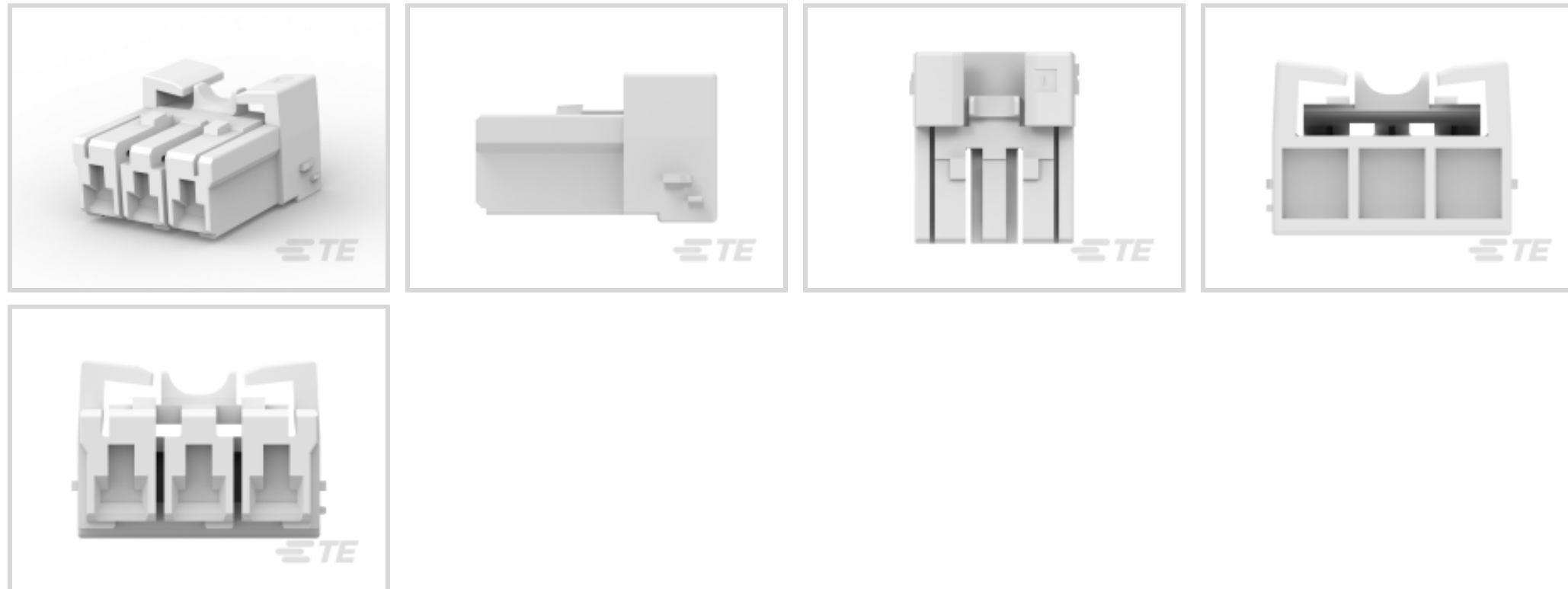
## GRACE INERTIA 6.2

TE Internal #: 1871867-1

Rectangular Power Connectors, Housing, Plug, Wire-to-Wire, 3 Position, .244 in [6.2 mm] Centerline, Wire & Cable, UL 94V-0, GRACE INERTIA 6.2

[View on TE.com >](#)

Connectors > Power Connectors > Rectangular Power > Rectangular Power Connectors > STD Temp GRACE INERTIA Plug



Rectangular Power Connector Type: **Housing**

Connector & Housing Type: **Plug**

Connector System: **Wire-to-Wire**

Number of Positions: **3**

Centerline (Pitch): **6.2 mm [ .244 in ]**

[All STD Temp GRACE INERTIA Plug \(25\)](#)

### Features

#### Product Type Features

Rectangular Power Connector Type	Housing
Connector & Housing Type	Plug
Connector System	Wire-to-Wire
Sealable	No
Connector & Contact Terminates To	Wire & Cable

#### Configuration Features

Number of Positions	3
Keying	A
Number of Rows	1

#### Electrical Characteristics

Operating Voltage	600 VDC
-------------------	---------

#### Contact Features



Contact Layout	Inline
Contact Base Material	Copper Alloy
Contact Retention Within Housing	Without
Contact Type	Receptacle

#### Termination Features

Termination Method to Wire & Cable	Crimp
------------------------------------	-------

#### Mechanical Attachment

Strain Relief	Without
Mating Alignment Type	Keyed
Mating Alignment	With
Panel Mount Feature	Without
PCB Mount Retention	Without
Connector Mounting Type	Cable Mount (Free-Hanging)
Mating Retention	With
Mating Retention Type	Latch, Locking Latch

#### Housing Features

Centerline (Pitch)	6.2 mm [.244 in]
Housing Color	Natural
Housing Material	Nylon 66

#### Dimensions

Height	14.15 mm [.556 in]
Length	18.8 mm [.739 in]

#### Usage Conditions

Operating Temperature Range	-30 – 105 °C [-22 – 221 °F]
-----------------------------	-----------------------------

#### Operation/Application

Circuit Application	Power & Signal
---------------------	----------------

#### Industry Standards

UL Flammability Rating	UL 94V-0
Glow Wire Rating	Standard Part - Not Glow Wire

#### Packaging Features

Packaging Method	Bag
Packaging Quantity	500



Other

For Use With	Cap Housing : 1746978-1
--------------	-------------------------

Product Compliance

[For compliance documentation, visit the product page on TE.com>](#)

EU RoHS Directive 2011/65/EU	Compliant
EU ELV Directive 2000/53/EC	Compliant
China RoHS 2 Directive MIIT Order No 32, 2016	No Restricted Materials Above Threshold
EU REACH Regulation (EC) No. 1907/2006	Current ECHA Candidate List: JUNE 2022 (224) Candidate List Declared Against: JAN 2022 (223) SVHC > Threshold: Not Yet Reviewed
Halogen Content	Low Halogen - Br, Cl, F, I < 900 ppm per homogenous material. Also BFR/CFR/PVC Free
Solder Process Capability	Not applicable for solder process capability

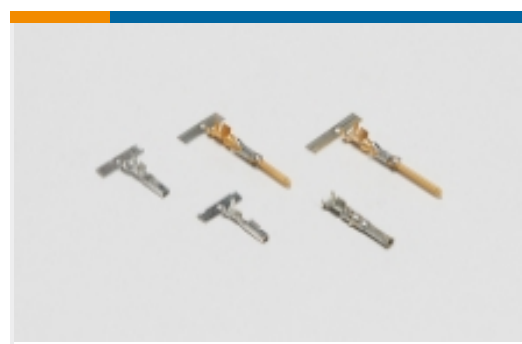
Product Compliance Disclaimer

This information is provided based on reasonable inquiry of our suppliers and represents our current actual knowledge based on the information they provided. This information is subject to change. The part numbers that TE has identified as EU RoHS compliant have a maximum concentration of 0.1% by weight in homogenous materials for lead, hexavalent chromium, mercury, PBB, PBDE, DBP, BBP, DEHP, DIBP, and 0.01% for cadmium, or qualify for an exemption to these limits as defined in the Annexes of Directive 2011/65/EU (RoHS2). Finished electrical and electronic equipment products will be CE marked as required by Directive 2011/65/EU. Components may not be CE marked. Additionally, the part numbers that TE has identified as EU ELV compliant have a maximum concentration of 0.1% by weight in homogenous materials for lead, hexavalent chromium, and mercury, and 0.01% for cadmium, or qualify for an exemption to these limits as defined in the Annexes of Directive 2000/53/EC (ELV). Regarding the REACH Regulation, the information TE provides on SVHC in articles for this part number is based on the latest European Chemicals Agency (ECHA) 'Guidance on requirements for substances in articles' posted at this URL: <https://echa.europa.eu/guidance-documents/guidance-on-reach>

Compatible Parts



Also in the Series | GRACE INERTIA 6.2



Power Contacts(4)

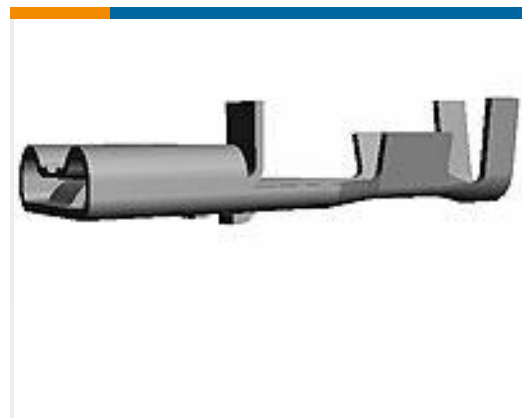
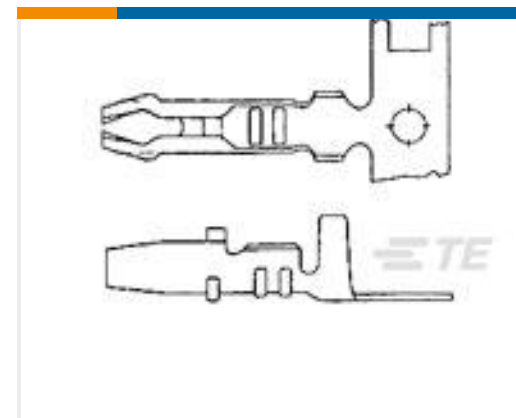
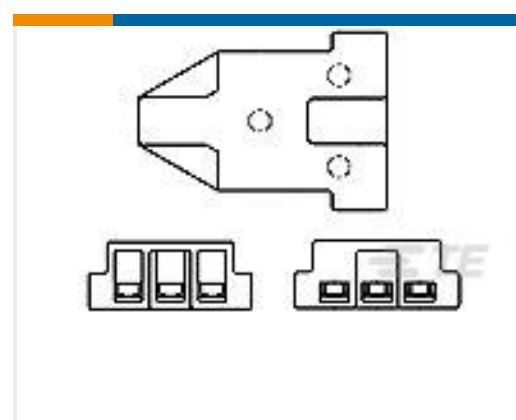


Rectangular Connector Locking(1)



Rectangular Power Connectors(13)

## Customers Also Bought

TE Part #170329-1  
250 PL MKII REC. 15-10AWG PTBRTE Part #175178-1  
PL EX 250 REC TERMINAL-FLAG 12-10 PTPBTE Part #42563-2  
250 FASTON FLAG REC 12-10 AWG TPBRTE Part #170338-1  
AMP-IN 22-18 AWGTE Part #175024-1  
250 PL EX REC. 15-10AWG PTBRTE Part #176271-6  
AMP UNIVERSAL POWER PLUG 2PTE Part #1-171370-2  
2.3DIA CLUSTER BLOCKTE Part #1-1747066-6  
GRACE INERTIA CONN 2.5 PLUG HSG 6P RED

## Documents

### Product Drawings

[GRACE INERTIA 6.2mm PITCH PLUG 3POS](#)

English

### CAD Files

[3D PDF](#)

3D

Customer View Model

[ENG\\_CVM\\_CVM\\_1871867-1\\_E3.2d\\_dxf.zip](#)

English

Customer View Model

[ENG\\_CVM\\_CVM\\_1871867-1\\_E3.3d\\_igs.zip](#)

English

Customer View Model

[ENG\\_CVM\\_CVM\\_1871867-1\\_E3.3d\\_stp.zip](#)

English

By downloading the CAD file I accept and agree to the [Terms and Conditions](#) of use.



---

### Datasheets & Catalog Pages

[1-1773883-5 GRACE INERTIA connector quick reference guide](#)

English

---

### Product Specifications

[Application Specification](#)

English

---

### Product Environmental Compliance

[MD\\_1871867-1\\_06012018035\\_dmtec](#)

English

[MD\\_1871867-1\\_06012018035\\_dmtec](#)

English

---

### Agency Approvals

[UL Report](#)

English