

179973-1 ✓ ACTIVE

[Positive Lock](#) | [Positive Lock 250](#)

TE Internal #: 179973-1

Quick Disconnects, Receptacle, 22 – 18 AWG Wire Size, .32 – .82 mm² Wire Size, Mating Tab Width .25 in [6.35 mm], Straight, Brass, Positive Lock 250

[View on TE.com >](#)



Terminals & Splices > Quick Disconnects



Quick Disconnect Terminal Type: **Receptacle**

Wire Size: .32 – .82 mm²

Mating Tab Width: 6.35 mm [.25 in]

Mating Tab Thickness: .81 mm [.032 in]

Features

Product Type Features

Terminates To	Wire & Cable
Wire Stop	No
Wire/Cable Type	Regular Wire
Insertion Force	Low
Sealable	No

Configuration Features

Connection Capacity	Single
---------------------	--------

Contact Features

Quick Disconnect Terminal Type	Receptacle
Mating Tab Width	6.35 mm [.25 in]
Mating Tab Thickness	.81 mm [.032 in]
Terminal Orientation	Straight
Contact Base Material	Brass
Terminal Plating Material	Pre-Tin
Crimp Type	F-Crimp



Barrel Type	Open
-------------	------

Mechanical Attachment

Mating Retention Type	Dimple
Extraction Force	5.9 – 29.4 Newton
Wire Insulation Support	With

Dimensions

Accepts Wire Insulation Diameter Range	1.5 – 3.1 mm [.059 – .122 in]
Overall Length	21.2 mm [.834 in]
Receptacle Terminal Stock Thickness	.41 mm [.016 in]
Wire Size	.32 – .82 mm ²

Usage Conditions

Insulation Option	Uninsulated
Operating Temperature Range	-40 – 110 °C [-40 – 230 °F]

Industry Standards

UL Rating	Listed
-----------	--------

Packaging Features

Packaging Quantity	5000
Packaging Method	Strip/Reel

Product Compliance

[For compliance documentation, visit the product page on TE.com>](#)

EU RoHS Directive 2011/65/EU	Compliant
EU ELV Directive 2000/53/EC	Compliant
China RoHS 2 Directive MIIT Order No 32, 2016	No Restricted Materials Above Threshold
EU REACH Regulation (EC) No. 1907/2006	Current ECHA Candidate List: JUNE 2022 (224) Candidate List Declared Against: JUNE 2022 (224) Does not contain REACH SVHC
Halogen Content	Low Halogen - Br, Cl, F, I < 900 ppm per homogenous material. Also BFR/CFR/PVC Free
Solder Process Capability	Not applicable for solder process capability

This information is provided based on reasonable inquiry of our suppliers and represents our current actual knowledge based on the information they provided. This information is subject to change. The part numbers that TE has identified as EU RoHS compliant have a maximum concentration of 0.1% by weight in homogenous materials for lead, hexavalent chromium, mercury, PBB, PBDE, DBP, BBP, DEHP, DIBP, and 0.01% for cadmium, or qualify for an exemption to these limits as defined in the Annexes of Directive 2011/65/EU (RoHS2). Finished electrical and electronic equipment products will be CE marked as required by Directive 2011/65/EU. Components may not be CE marked. Additionally, the part numbers that TE has identified as EU ELV compliant have a maximum concentration of 0.1% by weight in homogenous materials for lead, hexavalent chromium, and mercury, and 0.01% for cadmium, or qualify for an exemption to these limits as defined in the Annexes of Directive 2000/53/EC (ELV). Regarding the REACH Regulation, the information TE provides on SVHC in articles for this part number is based on the latest European Chemicals Agency (ECHA) 'Guidance on requirements for substances in articles' posted at this URL: <https://echa.europa.eu/guidance-documents/guidance-on-reach>

Compatible Parts



TE Part # 179970-4
PL EXII 250 REC HSG 1P NYLON YELLOW



TE Part # 179970-1
250 HSG. PL EX REC.



TE Part # 179970-9
PL EXII 250 REC HSG 1P NYLON BLACK



TE Part # 179970-2
PL EXII 250 REC HSG 1P NYLON RED



TE Part # 179970-6
PL EXII 250 REC HSG 1P NYLON BLUE



TE Part # 1318954-1
250 HSG. PL EX REC. NAT



TE Part # 1318954-6
250 HSG. PL EX REC. BLUE



TE Part # 1939581-1
250 HSG. PL EX REC. 15mm 2P NAT



TE Part # 1-1318954-1
PL EXII 250 REC HSG 1P NYLON NAT



TE Part # 1-1318954-6
PL EXII 250 REC HSG 1P NYLON BLUE



TE Part # 2-2150040-2
OCEAN_2.0_Applicator-E-080F140F



TE Part # 2150040-2
OCEAN_2.0_Applicator-E-080F140F



TE Part # 7-2150040-2
OCEAN_2.0_Applicator-E-080F140F



KIT
TE Part # 7-2150040-7
OCEAN_2.0_SPARE_PART_KIT-080F140F



TE Part # 3-179970-1
PL EXII 250 REC HSG 1P NYLON NAT WITH

Also in the Series | Positive Lock 250



Automotive Terminals(1)



Crimp Terminal Housings(203)



Insertion & Extraction Tools(3)



Insulation Boots & Sleeves(4)

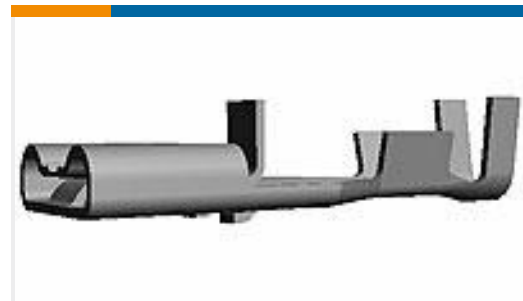


Quick Disconnects(189)

Customers Also Bought



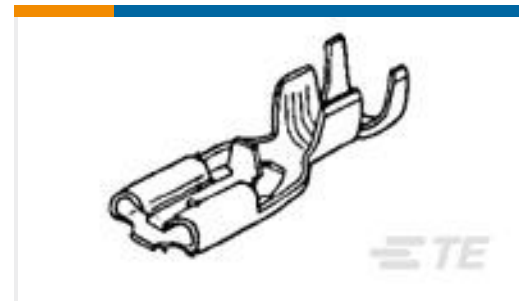
TE Part #175057-2
250 PL EX FLAG REC. 18-12AWG PTBR



TE Part #170329-1
250 PL MKII REC. 15-10AWG PTBR



TE Part #42563-2
250 FASTON FLAG REC 12-10 AWG TPBR



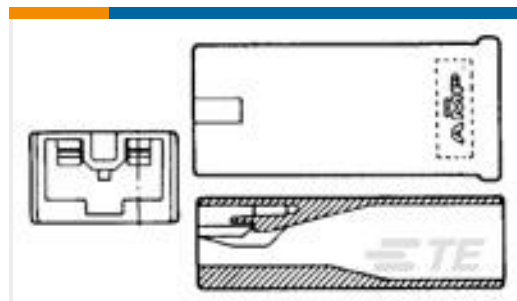
TE Part #170326-5
187 PL MKII REC. 18-14AWG PTPB



TE Part #170325-5
187 PL MKII REC. 20-16AWG PTBR



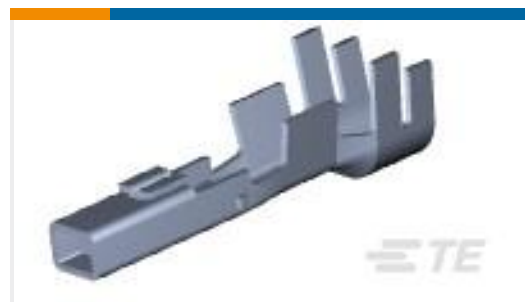
TE Part #5-177899-1
POWER DBL LOCK PLUG HSG 3P (GWT)



TE Part #179970-6
PL EXII 250 REC HSG 1P NYLON BLUE



TE Part #5-179464-1
POWER DBL LOCK CAP HSG F/H 3P (GWT)



TE Part #1743729-1
FG TERMINAL

Documents

Product Drawings

[250 PL EX REC. 22-18AWG PTBR](#)

Japanese

CAD Files

[3D PDF](#)

3D

Customer View Model

[ENG_CVM_CVM_179973-1_G1.2d_dxf.zip](#)

English

Customer View Model

[ENG_CVM_CVM_179973-1_G1.3d_igs.zip](#)

English

Customer View Model

[ENG_CVM_CVM_179973-1_G1.3d_stp.zip](#)

English

By downloading the CAD file I accept and agree to the [Terms and Conditions](#) of use.

Product Specifications

[Application Specification](#)

English

Product Environmental Compliance

[MD_179973-1_05312018233_dmtec](#)

English

[MD_179973-1_05312018233_dmtec](#)

English

Instruction Sheets

[POSITIVE LOCK EX-II CONNECTORS, INSTRUCTION SHEET](#)

Japanese

[Instruction Sheet \(non U.S.\)](#)

English