



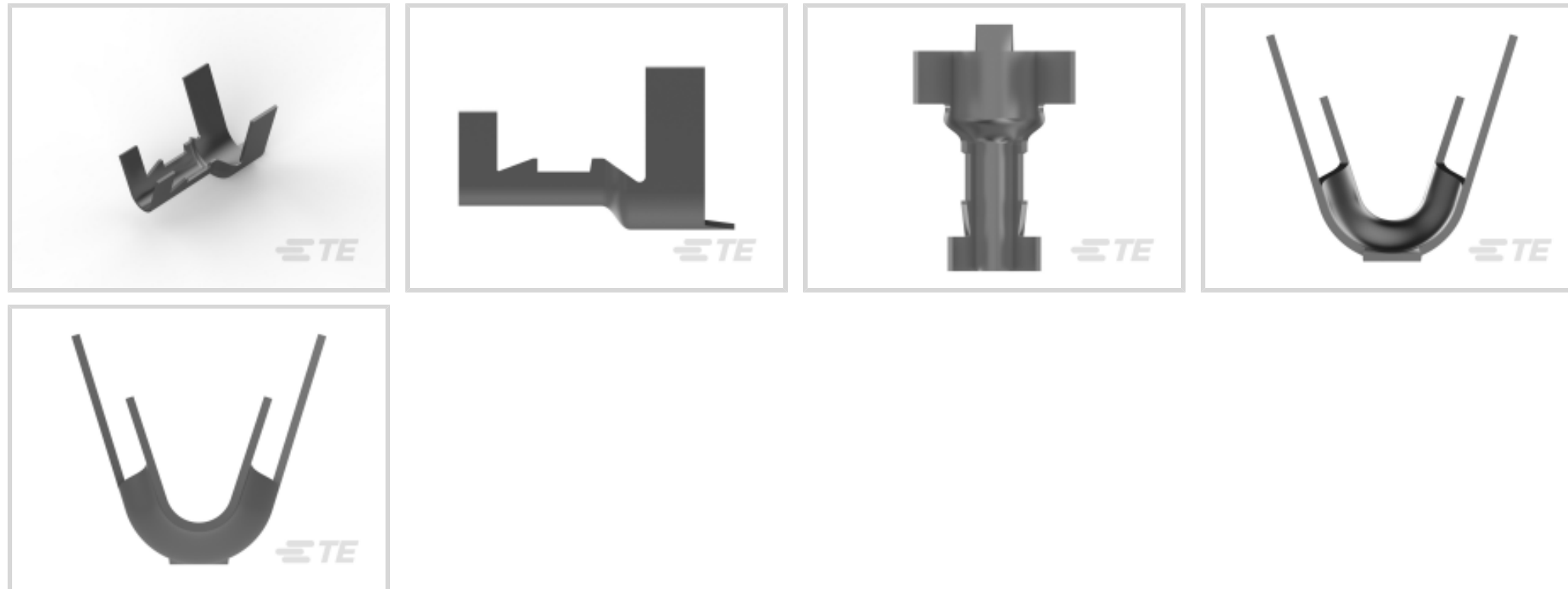
**AMP-IN**

TE Internal #: 1871865-1

PCB Terminals, Receptacle, PCB Hole Diameter 2.5 – 2.6 mm [.098 – .102 in], 14 AWG Wire Size, 2.2 mm<sup>2</sup> Wire Size, Crimp, Tin Plating, Brass, Reel

[View on TE.com >](#)

Terminals & Splices > PCB Terminals



PCB Terminal Type: **Receptacle**

PCB Thickness (Recommended): 1.6 mm [.063 in]

PCB Hole Diameter: 2.5 – 2.6 mm [.098 – .102 in]

Profile Height from PCB: 4 mm [.159 in]

Accepts Wire Insulation Diameter (Max): 3.8 mm [.15 in]

**Features**

**Product Type Features**

PCB Terminal Mounting Style	Stud Mount
-----------------------------	------------

**Configuration Features**

Stud Hole	No
Terminal Angle	180 °

**Contact Features**

Contact Plating Material	Tin
PCB Terminal Type	Receptacle
Terminal Plating Material	Tin
Contact Underplating Material	Brass
Terminal Size	Miniature
Terminal Orientation	Straight

**Termination Features**

Termination Method to Wire & Cable	Crimp
Product Terminates To	Printed Circuit Board



### Mechanical Attachment

Wire Insulation Support	With
-------------------------	------

### Dimensions

Extension Below Board	2.7 mm[.106 in]
PCB Thickness (Recommended)	1.6 mm[.063 in]
PCB Hole Diameter	2.5 – 2.6 mm[.098 – .102 in]
Profile Height from PCB	4 mm[.159 in]
Accepts Wire Insulation Diameter (Max)	3.8 mm[.15 in]
Accepts Wire Insulation Diameter Range	3.4 – 3.8 mm[.134 – .15 in]
Wire Size	2.2 mm <sup>2</sup>

### Usage Conditions

Insulation Option	Uninsulated
Operating Temperature Range	-40 – 105 °C[-40 – 221 °F]

### Packaging Features

Packaging Quantity	2500
Packaging Method	Reel

### Other

Comment	Type M.
---------	---------

### Product Compliance

[For compliance documentation, visit the product page on TE.com>](#)

EU RoHS Directive 2011/65/EU	Compliant
EU ELV Directive 2000/53/EC	Compliant
China RoHS 2 Directive MIIT Order No 32, 2016	No Restricted Materials Above Threshold
EU REACH Regulation (EC) No. 1907/2006	Current ECHA Candidate List: JUNE 2022 (224) Candidate List Declared Against: JUNE 2022 (224) Does not contain REACH SVHC
Halogen Content	Low Halogen - Br, Cl, F, I < 900 ppm per homogenous material. Also BFR/CFR/PVC Free
Solder Process Capability	Wave solder capable to 265°C

This information is provided based on reasonable inquiry of our suppliers and represents our current actual knowledge based on the information they provided. This information is subject to change. The part numbers that TE has identified as EU RoHS compliant have a maximum concentration of 0.1% by weight in homogenous materials for lead, hexavalent chromium, mercury, PBB, PBDE, DBP, BBP, DEHP, DIBP, and 0.01% for cadmium, or qualify for an exemption to these limits as defined in the Annexes of Directive 2011/65/EU (RoHS2). Finished electrical and electronic equipment products will be CE marked as required by Directive 2011/65/EU. Components may not be CE marked. Additionally, the part numbers that TE has identified as EU ELV compliant have a maximum concentration of 0.1% by weight in homogenous materials for lead, hexavalent chromium, and mercury, and 0.01% for cadmium, or qualify for an exemption to these limits as defined in the Annexes of Directive 2000/53/EC (ELV). Regarding the REACH Regulation, the information TE provides on SVHC in articles for this part number is based on the latest European Chemicals Agency (ECHA) 'Guidance on requirements for substances in articles' posted at this URL: <https://echa.europa.eu/guidance-documents/guidance-on-reach>

## Compatible Parts



TE Part # 2305570-1  
TERMINAL CUTTER, SIDE FEED



TE Part # 2-2266951-1  
OCEAN\_2.0\_Applicator-S-075F157F



TE Part # 2-2266951-2  
OCEAN\_2.0\_Applicator-S-075F157F



TE Part # 2266951-1  
OCEAN\_2.0\_Applicator-S-075F157F



TE Part # 2266951-2  
OCEAN\_2.0\_Applicator-S-075F157F



**KIT**  
REPRESENTATION ONLY

TE Part # 7-2266951-7  
OCEAN\_2.0\_SPARE\_PART\_KIT-075F157F

TE Part # 1981239-1  
BOARD IN CONTACT S-TYPE

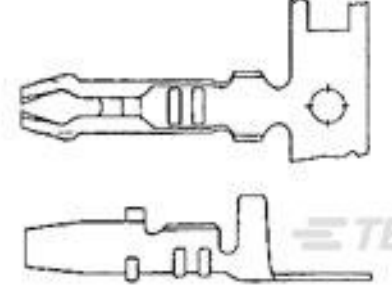
## Customers Also Bought



TE Part #170329-1  
250 PL MKII REC. 15-10AWG PTBR



TE Part #2-172076-1  
250 HSG. PL MKII REC. NAT



TE Part #170338-1  
AMP-IN 22-18 AWG



TE Part #179973-1  
250 PL EX REC. 22-18AWG PTBR



## Documents

### Product Drawings

#### BOARD-IN CONTACT M-TYPE

Japanese

### CAD Files

#### 3D PDF

3D

#### Customer View Model

[ENG\\_CVM\\_CVM\\_1871865-1\\_B\\_c-1871865-1-b.2d\\_dxf.zip](#)

English

#### Customer View Model

[ENG\\_CVM\\_CVM\\_1871865-1\\_B\\_c-1871865-1-b.3d\\_igs.zip](#)

English

#### Customer View Model

[ENG\\_CVM\\_CVM\\_1871865-1\\_B\\_c-1871865-1-b.3d\\_stp.zip](#)

English

By downloading the CAD file I accept and agree to the [Terms and Conditions](#) of use.

### Product Specifications

#### Application Specification

Japanese

#### CRIMPING FOR BOARD IN CONTACT

Japanese

### Product Environmental Compliance

#### Product Compliance

English

#### Product Compliance

English