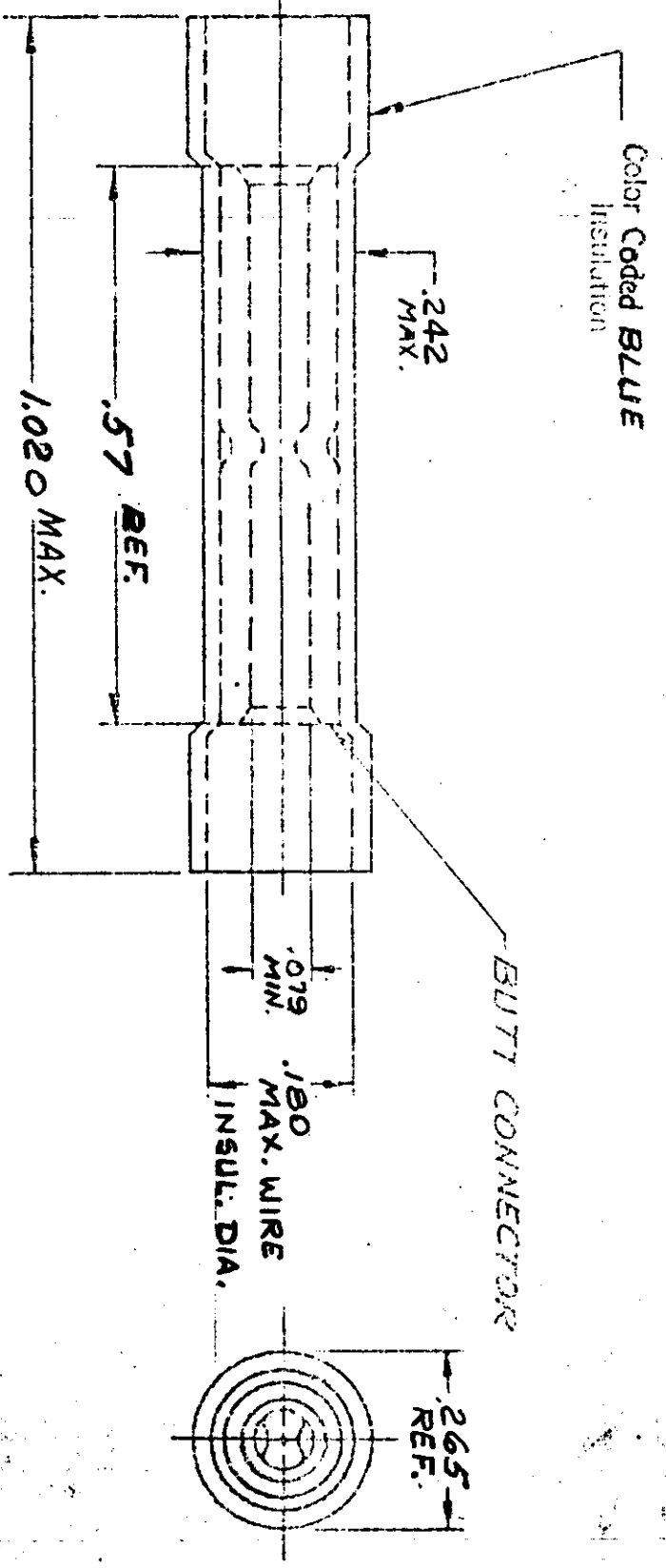


60205-020



Material: **COPPER**  
 Plating: **TIN**  
 Wire Size: **16-14**  
 Marking: **ETC, 16-14**  
 Insp. Criteria:

BUTTED SEAM

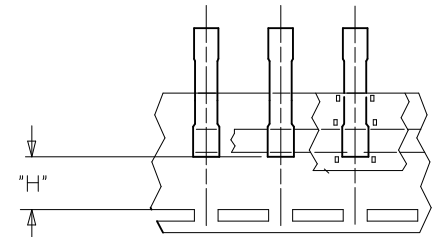
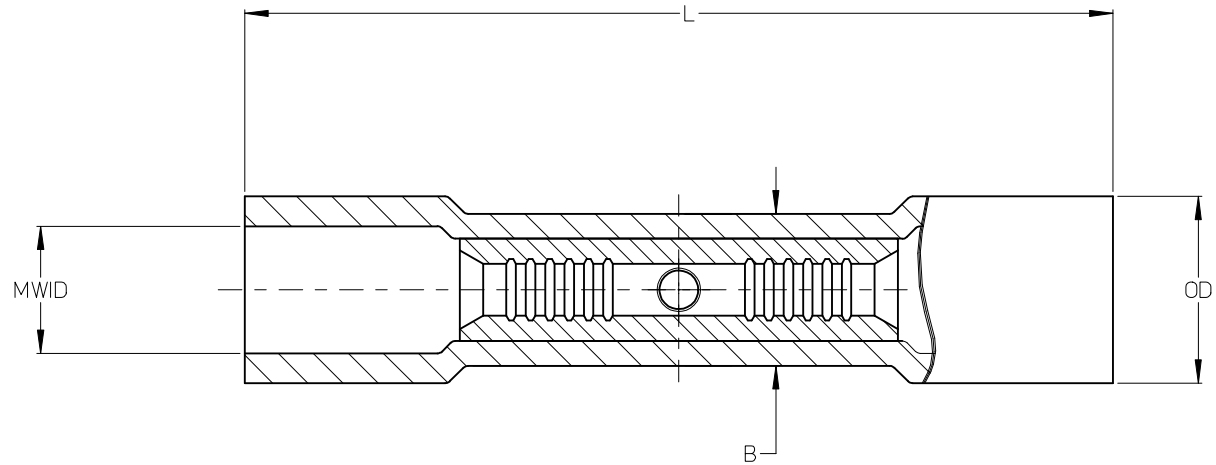


TITLE: **INSULATED BUTT CONNECTOR (EXTRUDED ASSY.)**

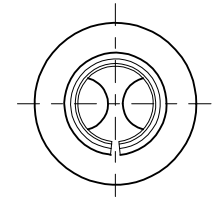
DIMENSIONAL TOLERANCE UNLESS OTHERWISE SPECIFIED		
FRACTION	DEC.	ANG.
±	±	±

REVISION	SCALE	DATE
	DRAWN BY: <b>FR</b>	<b>5-8-72</b>
	CHECKED BY: <b>[Signature]</b>	
	APPROVED BY: <b>[Signature]</b>	
DRAWING NO.: <b>B-231X</b>		

LOOSE PIECE		TAPE MOUNTED		DIMENSIONS						COLOR
MATERIAL NO.	ENGINEERING P/N	MATERIAL NO.	ENGINEERING P/N	MWID	OD (MAX)	L (MAX)	B (MAX)	ID (MIN)	H (NOM)	
191540004	A-245X	191540006	A-245XT	.150/3.81	.24/6.1	.97/24.6	.20/5.1	.060/1.52	.49/12.4	RED
191540015	B-231X	191540017	B-231XT	.175/4.45	.27/6.9	.98/24.9	.24/6.1	.080/2.03	.49/12.4	BLUE
191540028	C-246X	191540030	C-246XT	.260/6.60	.36/9.2	1.14/29.0	.30/7.6	.125/3.17	.43/10.9	YELLOW



TAPE MOUNTED PARTS



- NOTES:
1. MATERIALS: PVC INSULATION OVER TIN-PLATED COPPER SPLICE.
  2. COLOR: SEE CHART.
  2. MWID = MAXIMUM WIRE INSULATION DIAMETER
  3. PARTS ARE ROHS COMPLIANT.

<b>REDRAW</b> EC NO: WNA2009-0865 DRAWN: ETHRODAHL 2009/07/09 CHKD: JMACNEIL 2009/07/09 APPR: JMACNEIL 2009/07/09	QUALITY SYMBOLS ▽=0 ▽7=0	GENERAL TOLERANCES (UNLESS SPECIFIED) <table border="1"> <thead> <tr> <th></th> <th>mm</th> <th>INCH</th> </tr> </thead> <tbody> <tr> <td>4 PLACES</td> <td>± ---</td> <td>± ---</td> </tr> <tr> <td>3 PLACES</td> <td>± ---</td> <td>± .005</td> </tr> <tr> <td>2 PLACES</td> <td>± 0.13</td> <td>± .01</td> </tr> <tr> <td>1 PLACE</td> <td>± 0.25</td> <td>± ---</td> </tr> </tbody> </table> ANGULAR ±1/2°		mm	INCH	4 PLACES	± ---	± ---	3 PLACES	± ---	± .005	2 PLACES	± 0.13	± .01	1 PLACE	± 0.25	± ---	DIMENSION STYLE IN/MM DRAWN BY: ETHRODAHL DATE: 2009/06/23 CHECKED BY: JMACNEIL DATE: 2009/06/24 APPROVED BY: JMACNEIL DATE: 2009/06/24	SCALE: 1:1 DESIGN UNITS: INCH THIRD ANGLE PROJECTION
		mm	INCH																
	4 PLACES	± ---	± ---																
	3 PLACES	± ---	± .005																
2 PLACES	± 0.13	± .01																	
1 PLACE	± 0.25	± ---																	
DRAFT WHERE APPLICABLE MUST REMAIN WITHIN DIMENSIONS		MATERIAL NO. SEE CHART	TITLE: BUTT SPLICE CONNECTOR, INSULKRIMP	Molex MOLEX INCORPORATED															
		DOCUMENT NO. SD-19154-006																	
		SIZE B	SHEET NO. 1 OF 1																