



**MQS**

TE Internal #: 185879-3

Automotive Connector Caps & Covers, Cover Assembly, Cable Exit Angle 90° (Right Angle), Red, PBT GF, Wire-to-Board / Wire-to-Device, 26 Position, MQS

[View on TE.com >](#)

Connectors > Automotive Connectors > Connector Accessories > Connector Caps & Covers



Protection & Strain Relief Accessory Type: **Cover Assembly**

Cable Exit Angle: **90° (Right Angle)**

Strain Relief: **With**

Primary Product Color: **Red**

Primary Product Material: **PBT GF**

**Features**

**Product Type Features**

Protection & Strain Relief Accessory Type	Cover Assembly
Connector System	Wire-to-Board, Wire-to-Device

**Configuration Features**

Number of Positions	26
---------------------	----

**Body Features**

Cable Exit Angle	90° (Right Angle)
Primary Product Color	Red
Primary Product Material	PBT GF

**Mechanical Attachment**

Strain Relief	With
---------------	------

**Usage Conditions**

Operating Temperature (Max)	70 °C, 75 °C, 80 °C, 85 °C, 90 °C, 100 °C [158 °F][167 °F][176 °F][185 °F][194 °F][212 °F]
Operating Temperature Range	-40 – 100 °C[-40 – 212 °F]

**Packaging Features**

Packaging Quantity	800
Packaging Method	Box



## Product Compliance

[For compliance documentation, visit the product page on TE.com>](#)

EU RoHS Directive 2011/65/EU	Compliant
EU ELV Directive 2000/53/EC	Compliant
China RoHS 2 Directive MIIT Order No 32, 2016	No Restricted Materials Above Threshold
EU REACH Regulation (EC) No. 1907/2006	Current ECHA Candidate List: JUNE 2022 (224) Candidate List Declared Against: JAN 2018 (181) SVHC > Threshold: Not Yet Reviewed
Halogen Content	Low Halogen - Br, Cl, F, I < 900 ppm per homogenous material. Also BFR/CFR/PVC Free
Solder Process Capability	Not reviewed for solder process capability

### Product Compliance Disclaimer

This information is provided based on reasonable inquiry of our suppliers and represents our current actual knowledge based on the information they provided. This information is subject to change. The part numbers that TE has identified as EU RoHS compliant have a maximum concentration of 0.1% by weight in homogenous materials for lead, hexavalent chromium, mercury, PBB, PBDE, DBP, BBP, DEHP, DIBP, and 0.01% for cadmium, or qualify for an exemption to these limits as defined in the Annexes of Directive 2011/65/EU (RoHS2). Finished electrical and electronic equipment products will be CE marked as required by Directive 2011/65/EU. Components may not be CE marked. Additionally, the part numbers that TE has identified as EU ELV compliant have a maximum concentration of 0.1% by weight in homogenous materials for lead, hexavalent chromium, and mercury, and 0.01% for cadmium, or qualify for an exemption to these limits as defined in the Annexes of Directive 2000/53/EC (ELV). Regarding the REACH Regulation, the information TE provides on SVHC in articles for this part number is based on the latest European Chemicals Agency (ECHA) 'Guidance on requirements for substances in articles' posted at this URL: <https://echa.europa.eu/guidance-documents/guidance-on-reach>

## Compatible Parts

 <p>TE Part # CAT-SIGH262 SIGNAL HEADER</p>	 <p>TE Part # 185454-1 26W MQS HDR ASSY FOR SMT</p>	 <p>TE Part # 953736-3 26W MQS TAB HSG RED</p>
--	--	---

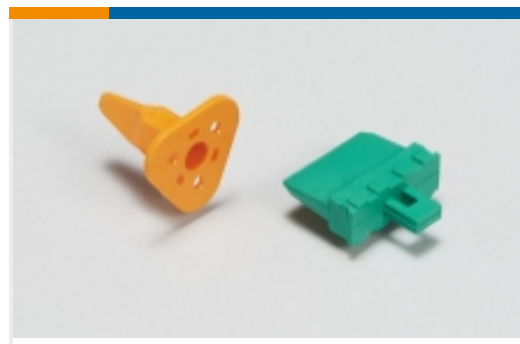
## Also in the Series | MQS



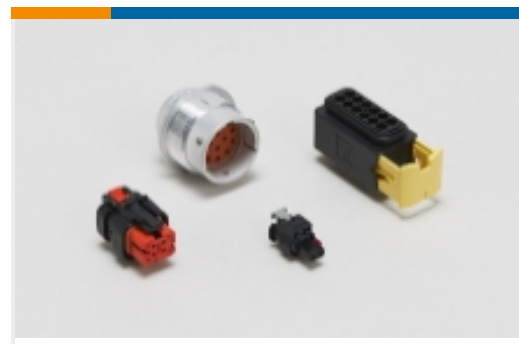
Automotive Connector Caps & Covers (132)



Automotive Connector EMC Shielding (2)



Automotive Connector Locks & Position Assurance(29)



Automotive Housings(489)



Automotive Seals & Cavity Plugs(26)



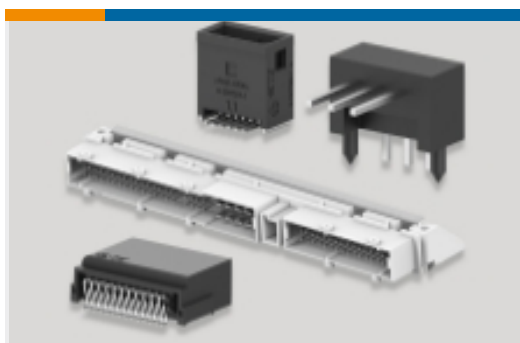
Automotive Terminals(96)



Insertion & Extraction Tools(42)

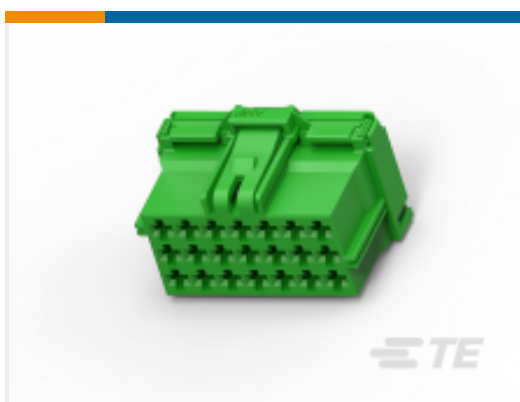


Other Automotive Connector Accessories(13)



PCB Headers & Receptacles(207)

## Customers Also Bought



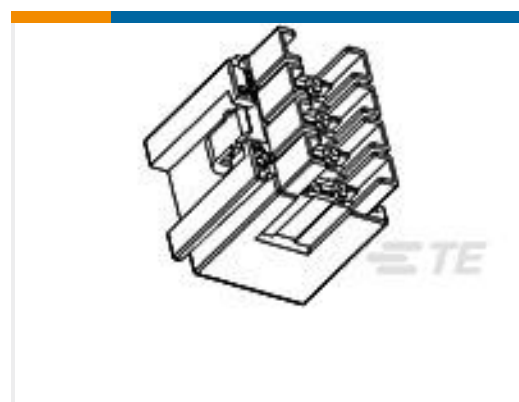
TE Part #6-968971-1  
AMP MCP, UNSEALED CONNECTOR HOUSING



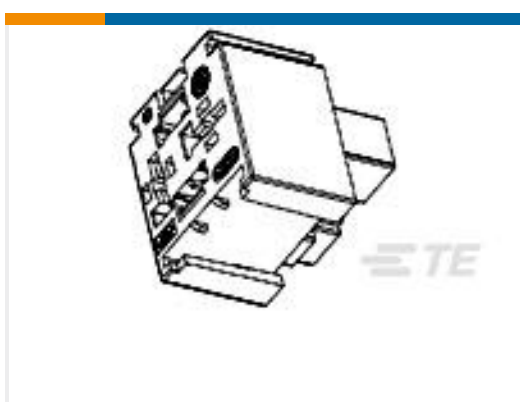
TE Part #1-2141846-1  
CARRIER,RECEPTACLE HSG, 25POS, ASSY



TE Part #144617-1  
STD PW TIMER W/BARRIER



TE Part #185847-2  
AUTO FUSE HOLDER BLACK



TE Part #2-953615-2  
MODULAR RELAY HLDR 50-60A



TE Part #2330171-1  
24POS. AIRBAG CONNECTOR ASSEMBLY



TE Part #2330171-2  
24POS. AIRBAG CONNECTOR ASSEMBLY



TE Part #1-185879-2  
26W MQS COVER ASSY BLUE

## Documents



## Product Drawings

### 26W MQS COVER ASSY RED

English

---

## CAD Files

### 3D PDF

3D

#### Customer View Model

[ENG\\_CVM\\_CVM\\_185879-3\\_O.2d\\_dxf.zip](#)

English

#### Customer View Model

[ENG\\_CVM\\_CVM\\_185879-3\\_O.3d\\_igs.zip](#)

English

#### Customer View Model

[ENG\\_CVM\\_CVM\\_185879-3\\_O.3d\\_stp.zip](#)

English

By downloading the CAD file I accept and agree to the [Terms and Conditions](#) of use.

---

## Product Specifications

### Product Specification

English

---

## Instruction Sheets

### Instruction Sheet (non U.S.)

English