

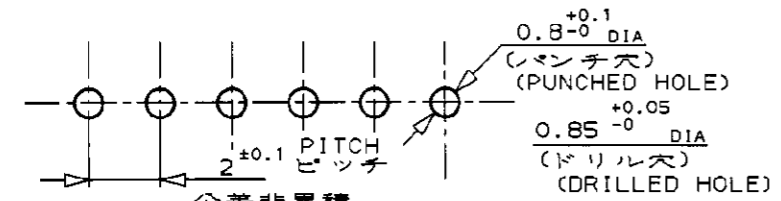
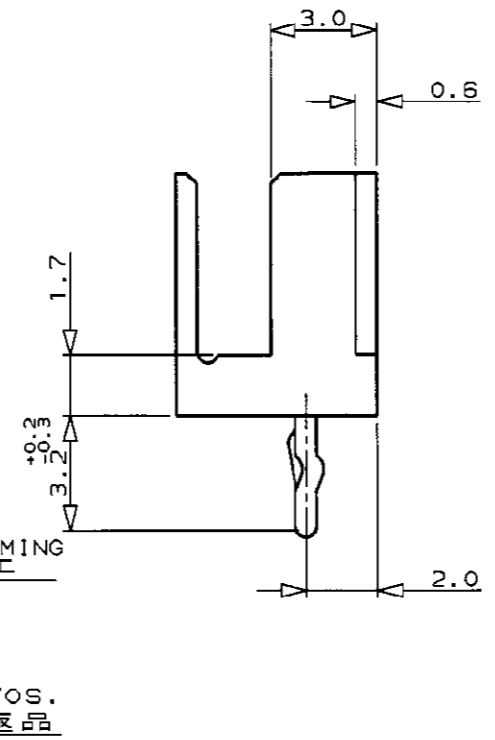
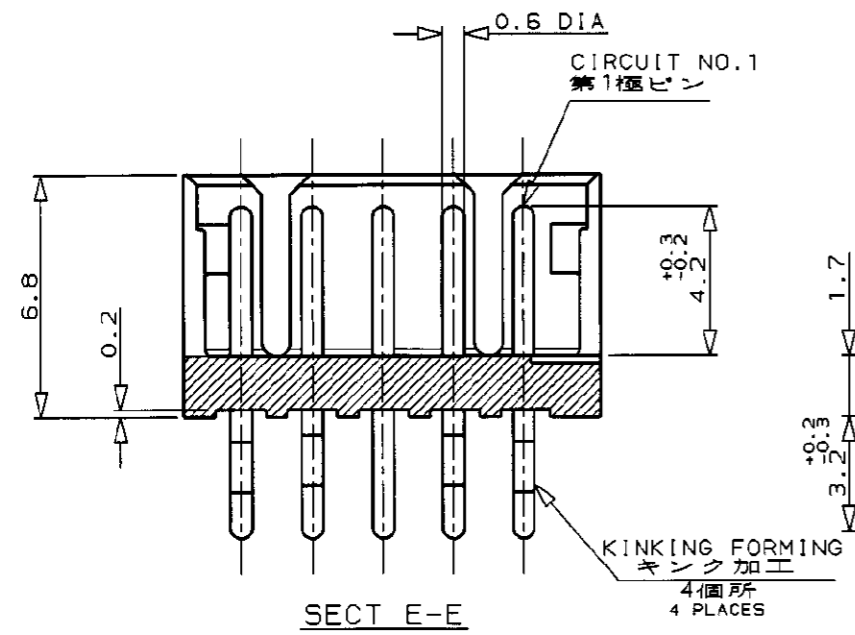
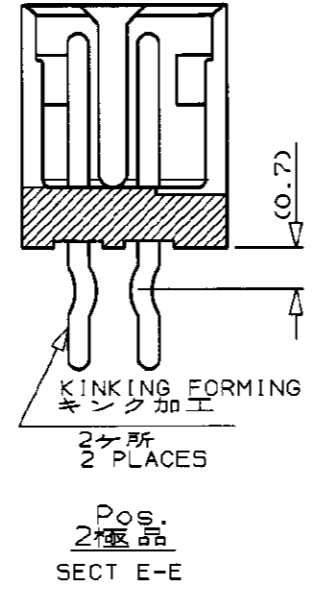
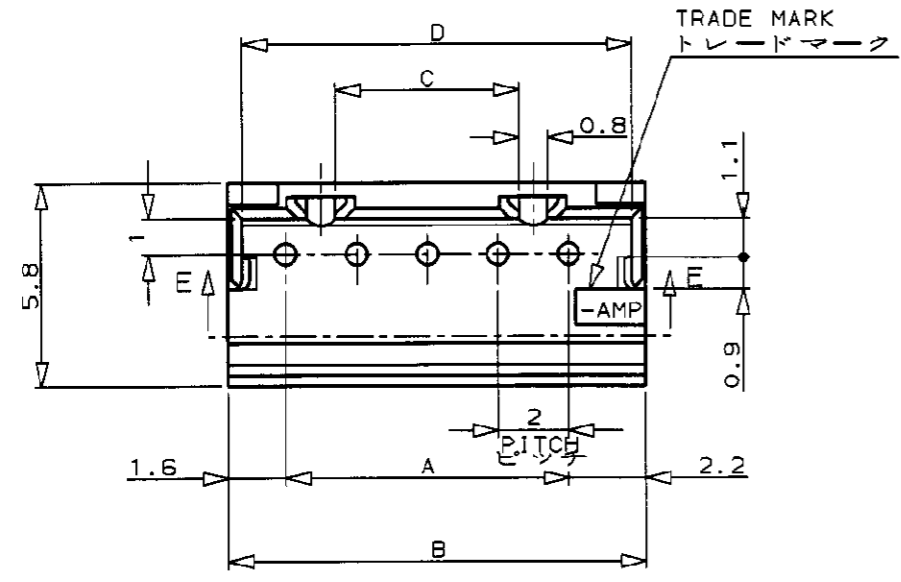
NUMBER C-175487



METRIC

DIMENSIONS IN MILLIMETERS. DO NOT SCALE PRINT

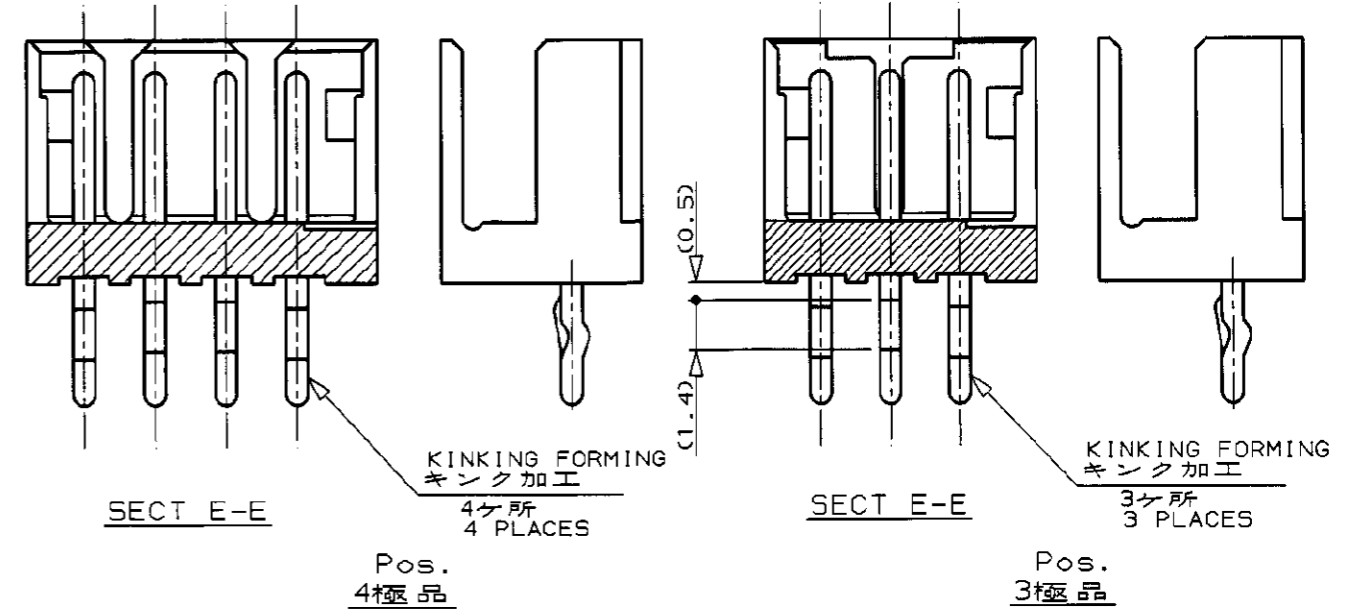
PRINT DIST



RECOMMENDABLE P.C. BOARD LAYOUT  
推奨基板寸法  
(板厚 0.8-1.6)  
(PCB THK: 0.8-1.6)

注 ;  
1. 材料 : HSG - 66ナイロン樹脂UL94V-0  
ポスト - 半田メッキ付黄銅

NOTES;  
1. MATERIAL: HOUSING - 66 NYLON (UL94V-0)  
POST - POST PLATED TIN LEAD BRASS



	7-175487-5	5-175487-5	3-175487-5	1-175487-5	15	28	31.8	25.2	31.0
	7- -4	5- -4	3- -4	1- -4	14	26	29.8	23.2	29.0
	7- -3	5- -3	3- -3	1- -3	13	24	27.8	21.2	27.0
	7- -2	5- -2	3- -2	1- -2	12	22	25.8	19.2	25.0
	7- -1	5- -1	3- -1	1- -1	11	20	23.8	17.2	23.0
	7- -0	5- -0	3- -0	1- -0	10	18	21.8	15.2	21.0
	6- -9	4- -9	2- -9		9	16	19.8	13.2	19.0
	6- -8	4- -8	2- -8		8	14	17.8	11.2	17.0
	6- -7	4- -7	2- -7		7	12	15.8	9.2	15.0
B-175487-6	6- -6	4- -6	2- -6		6	10	13.8	7.2	13.0
	6- -5	4- -5	2- -5		5	8	11.8	5.2	11.0
	6- -4	4- -4	2- -4		4	6	9.8	3.2	9.0
	6- -3	4- -3	2- -3		3	4	7.8	—	7.0
	6-175487-2	4-175487-2	2-175487-2	175487-2	2	2	5.8	—	5.0
RED 赤色	BLACK 黒色	YELLOW 黄色	BLUE 青色	NATURAL 自然色	Pos. 極数	A	B	C	D

K	REVISED	FJ00-1622	9/28/99	DR	CHK	DATE
J	REVISED	FJ00-3495	10/27/95	T.F.S.K.		
H	REVISED	FJ00-0742	6/8/94	T.F.S.K.		
G	REVISED	J-1780	12/29/92	T.F.S.K.		
F	REVISED	J-1486	9/3/92	S.K.J.T.		
E1	CORRECTD	J-1305	4/24/92	T.F.S.K.		
E	REVISED	J-1013	1/28/91	T.F.S.K.		
D	REVISED	J-0029	5/13/91	T.N.S.K.		
LTR	REVISION RECORD			DR	CHK	DATE

Copyright ©19 年 Tyco Electronics AMP K.K. ALL RIGHTS RESERVED.

Copyright ©19 年 Tyco Electronics AMP K.K. ALL RIGHTS RESERVED.

**AMP** Tyco Electronics AMP K.K. Kawasaki, Japan

WIRE RANGE: mm<sup>2</sup> (AWG) INSULATION DIA: mm

NAME: ボックス仕様ポストヘッダーアッセンブリ (垂直型)  
POST HEADER ASS'Y (BOX-V TYPE)  
(AMP CT CONNECTOR 2mm PITCH)

MATERIAL: SEE NOTE 1 注1参照 FINISH: SEE NOTE 1 注1参照

DR. T. NAKAMURA 4/6/90 DE. T. NAKAMURA 10/27/95

CHK. S. KIKUCHI 4/9/90 APP. S. KUBOUCHI 10/27/95

GENERAL TOLERANCE: 0<mm 10 : ±0.2, 10<mm 30 : ±0.25, 30<mm 100 : ±0.3, ANGLES : ±3°

SIZE LOC NUMBER: B J C-175487

SCALE: 5-1 REV. K SHEET 1 OF 2

NUMBER C-175487

3rd ANGLE PROJECTION

METRIC

DIMENSIONS IN MILLIMETERS. DO NOT SCALE PRINT

PRINT DIST

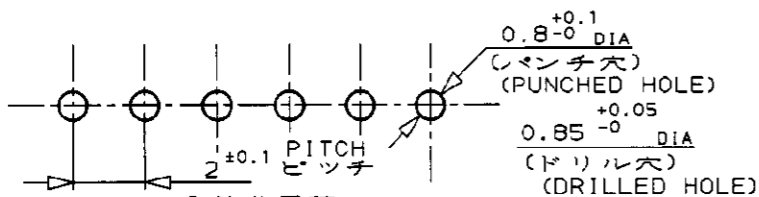
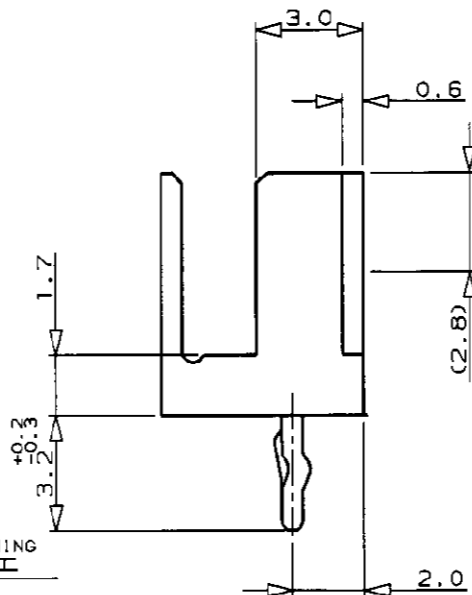
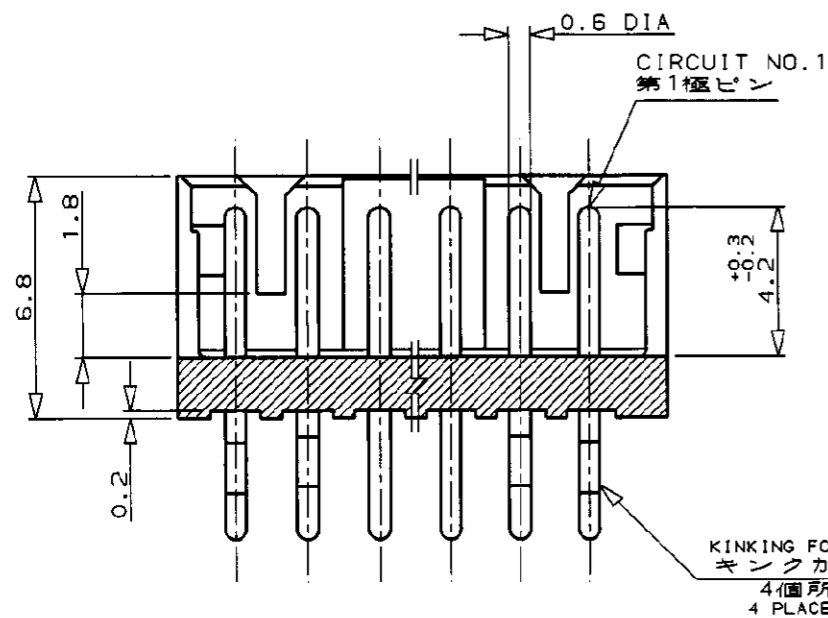
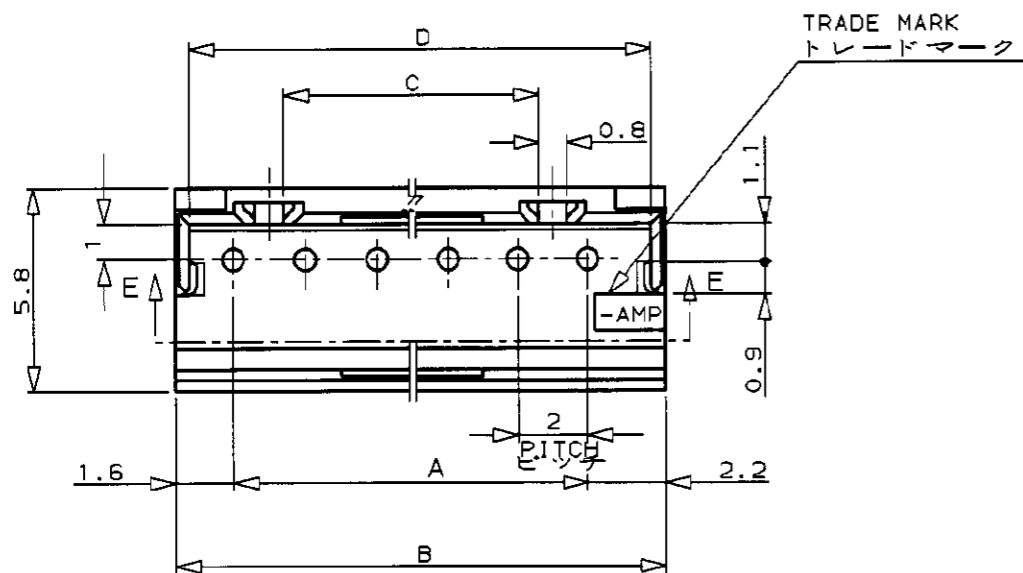
AMP-J  
REV.10/83

注:

1. 材料 : HSG - 66ナイロン樹脂UL94V-0  
ポスト - 半田メッキ付黄銅

NOTES;

1. MATERIAL: HOUSING - 66 NYLON (UL94V-0)  
POST - POST-PLATED TIN LEAD BRASS



RECOMMENDABLE P.C. BOARD LAYOUT  
推奨基板寸法

(板厚 0.8-1.6)  
(PCB THK: 0.8-1.6)

	7-175487-5	5-175487-5	3-175487-5	1-175487-5	15	28	31.8	25.2	31.0
	7-▲	-4 5-▲	-4 3-▲	-4 1-▲	14	26	29.8	23.2	29.0
	7-	-3 5-	-3 3-	-3 1-	13	24	27.8	21.2	27.0
	7-	-2 5-	-2 3-	-2 1-	12	22	25.8	19.2	25.0
	7-	-1 5-	-1 3-	-1 1-	11	20	23.8	17.2	23.0
	7-	-0 5-	-0 3-	-0 1-	10	18	21.8	15.2	21.0
	6-	-9 4-	-9 2-	-9	9	16	19.8	13.2	19.0
	6-	-8 4-	-8 2-	-8	8	14	17.8	11.2	17.0
	6-	-7 4-	-7 2-	-7	7	12	15.8	9.2	15.0
8-175487-6	6-	-6 4-	-6 2-	-6	6	10	13.8	7.2	13.0
	6-	-5 4-	-5 2-	-5	シート1参照 (SEE SHEET 1 OF 2)				
	6-	-4 4-	-4 2-	-4					
	6-	-3 4-	-3 2-	-3					
	6-175487-2	4-175487-2	2-175487-2	175487-2					
RED 赤色	BLACK 黒色	YELLOW 黄色	BLUE 青色	NATURAL 自然色	Pos. 極数	A	B	C	D

LTR	REVISION RECORD	DR	CHK	DATE

Copyright ©19 年 Tyoo Electronics AMP K.K.		Copyright ©19 年 Tyoo Electronics AMP K.K. ALL RIGHTS RESERVED.	
WIRE RANGE mm <sup>2</sup> (AWG)	INSULATION DIA mmφ	NAME ボックス仕様ポストヘッダーアッセンブリ (垂直型) POST HEADER ASS'Y (BOX-V TYPE) (AMP CT CONNECTOR 2mm PITCH)	
MATERIAL SEE NOTE 1 注1参照	FINISH SEE NOTE 1 注1参照	GENERAL TOLERANCE	SIZE LOC NUMBER
DR. T. FURUYA 11/27/91	DE. T. FURUYA	0<math>\leq</math>10 : ±0.2 10<math>\leq</math>30 : ±0.25 30<math>\leq</math>100 : ±0.3 ANGLES : ±3°	B J C-175487
CHK. S. KUBOUCHI 11/28/91	APP. S. KUBOUCHI 10/27/95	SCALE 5-1	REV. K SHEET 2 OF 2

**AMP** Tyoo Electronics AMP K.K.  
Kawasaki, Japan

CUSTOMER DRAWING