



GRACE INERTIA 3.3

TE Internal #: 1827395-1

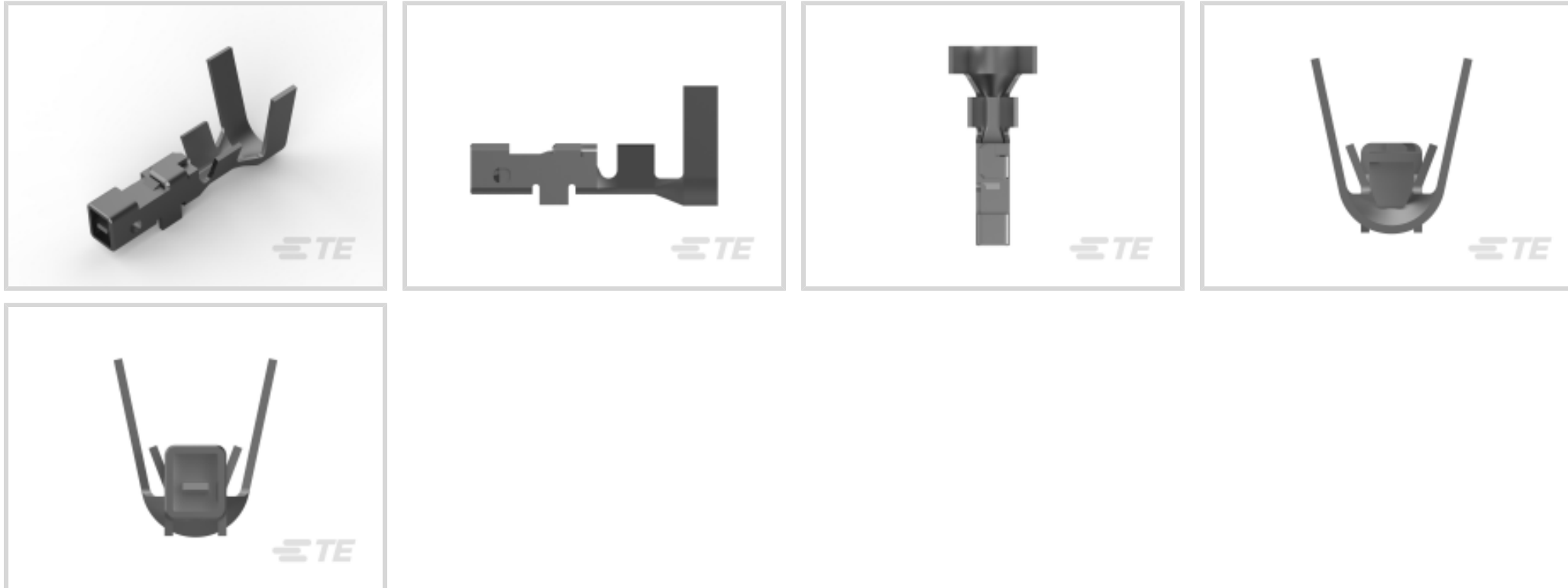
Power Contacts, Contact, 250 VAC, 250 VDC, Pre-Tin, 24 – 20 AWG

Wire Size, .2 – .52 mm² Wire Size, Wire-to-Wire, Wire & Cable,

GRACE INERTIA 3.3

[View on TE.com >](#)

Connectors > Power Connectors > Power Contacts > GRACE INERTIA Receptacle



Power Contact Type: **Contact**

Operating Voltage: **250 VDC**

Contact Mating Area Plating Material: **Pre-Tin**

Wire Size: **24 – 20 AWG**

[All GRACE INERTIA Receptacle \(5\)](#)

Features

Product Type Features

Power Contact Type	Contact
Connector System	Wire-to-Wire
Connector & Contact Terminates To	Wire & Cable

Electrical Characteristics

Operating Voltage	250 VDC
Insulation Resistance	1000

Contact Features

Contact Mating Area Plating Material	Pre-Tin
Contact Current Rating (Max)	4 A
Contact Type	Receptacle
Contact Retention Within Housing	With
Mating Tab Width	.7 mm[.027 in]
Mating Tab Thickness	.5 mm[.02 in]



Contact Base Material	Copper Alloy
Wire Contact Termination Area Plating Thickness	2.54 μm[100 μin]
Wire Contact Termination Area Plating Material	Pre-Tin
Contact Orientation	Straight

Termination Features

Termination Method to Wire & Cable	Crimp
------------------------------------	-------

Mechanical Attachment

Contact Retention Type Within Housing	Locking Lance
Connector Mounting Type	Cable Mount (Free-Hanging)
Wire Insulation Support	Without

Dimensions

Wire Size	.2 – .52 mm ²
Accepts Wire Insulation Diameter Range	1.5 – 2.5 mm[.059 – .099 in]

Usage Conditions

Operating Temperature Range	-30 – 105 °C[-22 – 221 °F]
-----------------------------	----------------------------

Operation/Application

Circuit Application	Power
---------------------	-------

Industry Standards

Glow Wire Rating	Standard Part - Not Glow Wire
------------------	-------------------------------

Packaging Features

Packaging Method	Reel
Packaging Quantity	5000

Other

Wire/Cable Type	Discrete Wire
Wire Type	Stranded
Comment	Incase electrical appliance and material safety law is applicable, voltage rating is 50VAC/DC

Product Compliance

[For compliance documentation, visit the product page on TE.com>](#)

EU RoHS Directive 2011/65/EU	Compliant
------------------------------	-----------



EU ELV Directive 2000/53/EC	Compliant
China RoHS 2 Directive MIIT Order No 32, 2016	No Restricted Materials Above Threshold
EU REACH Regulation (EC) No. 1907/2006	Current ECHA Candidate List: JUNE 2022 (224) Candidate List Declared Against: JAN 2022 (223) SVHC > Threshold: Not Yet Reviewed
Halogen Content	Low Halogen - Br, Cl, F, I < 900 ppm per homogenous material. Also BFR/CFR/PVC Free
Solder Process Capability	Not applicable for solder process capability

Product Compliance Disclaimer

This information is provided based on reasonable inquiry of our suppliers and represents our current actual knowledge based on the information they provided. This information is subject to change. The part numbers that TE has identified as EU RoHS compliant have a maximum concentration of 0.1% by weight in homogenous materials for lead, hexavalent chromium, mercury, PBB, PBDE, DBP, BBP, DEHP, DIBP, and 0.01% for cadmium, or qualify for an exemption to these limits as defined in the Annexes of Directive 2011/65/EU (RoHS2). Finished electrical and electronic equipment products will be CE marked as required by Directive 2011/65/EU. Components may not be CE marked. Additionally, the part numbers that TE has identified as EU ELV compliant have a maximum concentration of 0.1% by weight in homogenous materials for lead, hexavalent chromium, and mercury, and 0.01% for cadmium, or qualify for an exemption to these limits as defined in the Annexes of Directive 2000/53/EC (ELV). Regarding the REACH Regulation, the information TE provides on SVHC in articles for this part number is based on the latest European Chemicals Agency (ECHA) 'Guidance on requirements for substances in articles' posted at this URL: <https://echa.europa.eu/guidance-documents/guidance-on-reach>

Compatible Parts



TE Part # 2305570-1
TERMINAL CUTTER, SIDE FEED



TE Part # 1827395-2
GIC 3.3 REC CONTACT TIN PLATE



TE Part # 2-2151834-1
OC-PA-S-FM-150F102F-001-0190



TE Part # 2-2151834-2
OC-PA-S-FA-150F102F-001-0190



TE Part # 2151834-1
OC-AT-S-FM-150F102F-001-0190

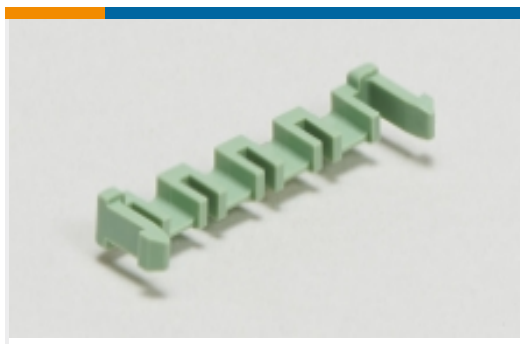


TE Part # 2151834-2
OC-AT-S-FA-150F102F-001-0190

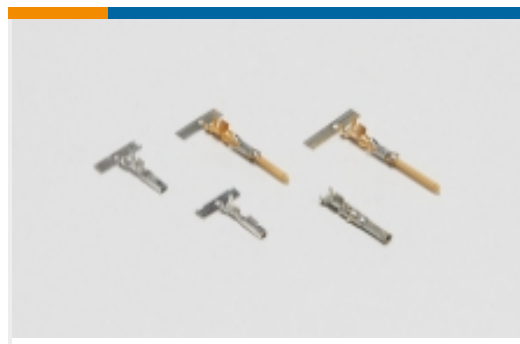


KIT
TE Part # 7-2151834-7
OC-150F102F-CRIMPTOOLINGKIT

Also in the Series | GRACE INERTIA 3.3



PCB Latches, Locks & Retainers(7)



Power Contacts(3)

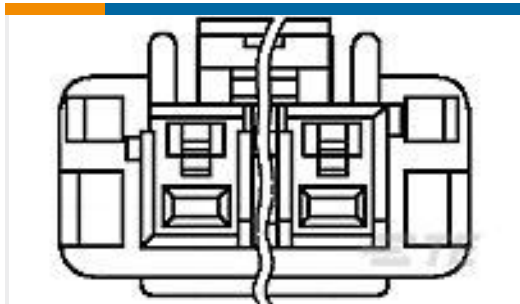


Rectangular Connector Locking(8)



Rectangular Power Connectors(69)

Customers Also Bought



TE Part #1376393-1
5MM POWER KEY 6P PLUG HSG NUT



TE Part #917764-1
2.5 SIGNAL D/LOCK TAB CONT. L



TE Part #170340-3
FF 250 TAB 20-14AWG PTBR WITHOUT LATCH



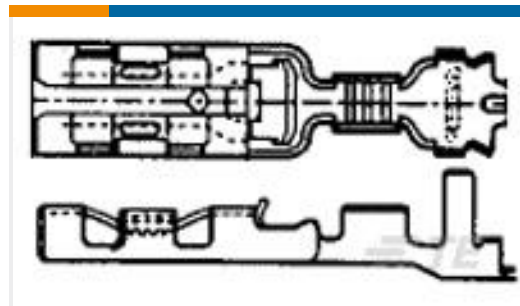
TE Part #1-1123823-1
EP IP PLUG NATURAL



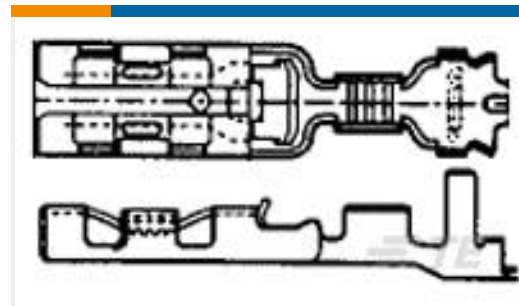
TE Part #1376348-1
5MM POWER KEY CONN REC CONT M



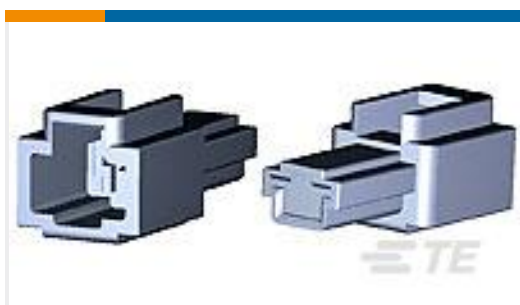
TE Part #1747995-1
GHC EYELET 6.2 3POS PLUG HOUSING NATURAL



TE Part #353249-2
110 PL EX REC. 26-22AWG PTPHBZ



TE Part #353250-2
110 PL EX REC. 20-16AWG PTPHBZ



TE Part #1-172127-1
FF 250 REC HSG 1P NYLON NAT

Documents

Product Drawings

[GIC 3.3 REC CONTACT TIN PLATE](#)

English

CAD Files

[Customer View Model](#)

[ENG_CVM_CVM_1827395-1_E.2d_dxf.zip](#)

English

[3D PDF](#)



3D

Customer View Model

[ENG_CVM_CVM_1827395-1_E.3d_igs.zip](#)

English

Customer View Model

[ENG_CVM_CVM_1827395-1_E.3d_stp.zip](#)

English

By downloading the CAD file I accept and agree to the [Terms and Conditions](#) of use.

Product Specifications

Application Specification

Japanese

[GRACE INERTIA CONNECTOR 3.3 CONTACT](#)

Japanese

Product Environmental Compliance

[MD_1827395-1_103020131114_dmtec](#)

English

[MD_1827395-1_103020131114_dmtec](#)

English