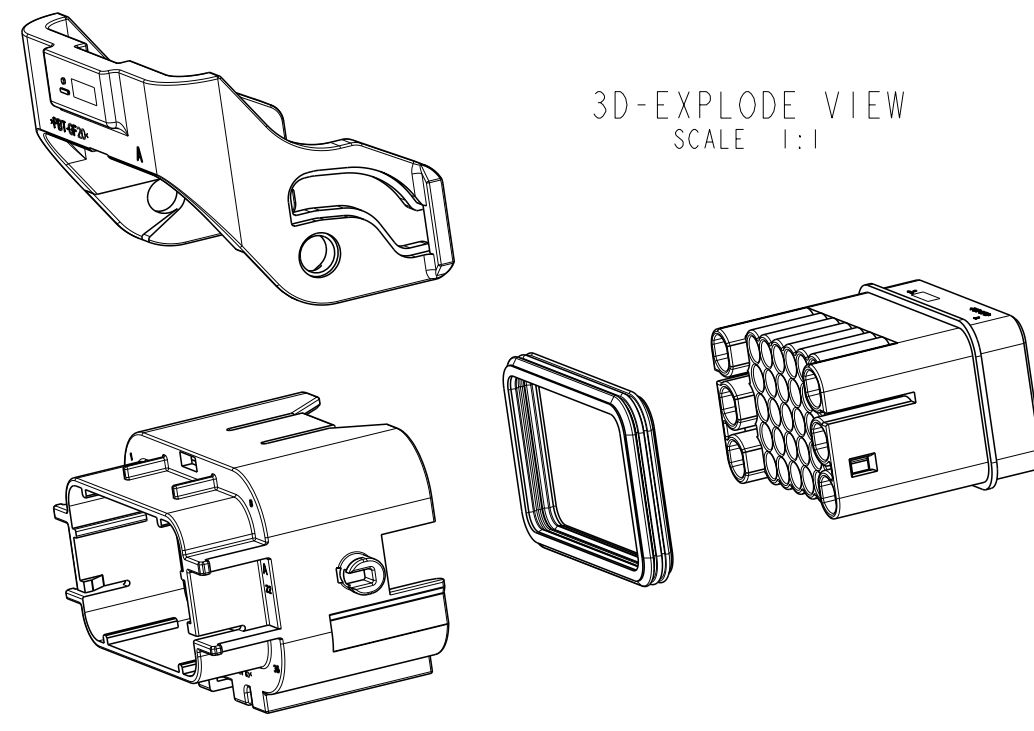
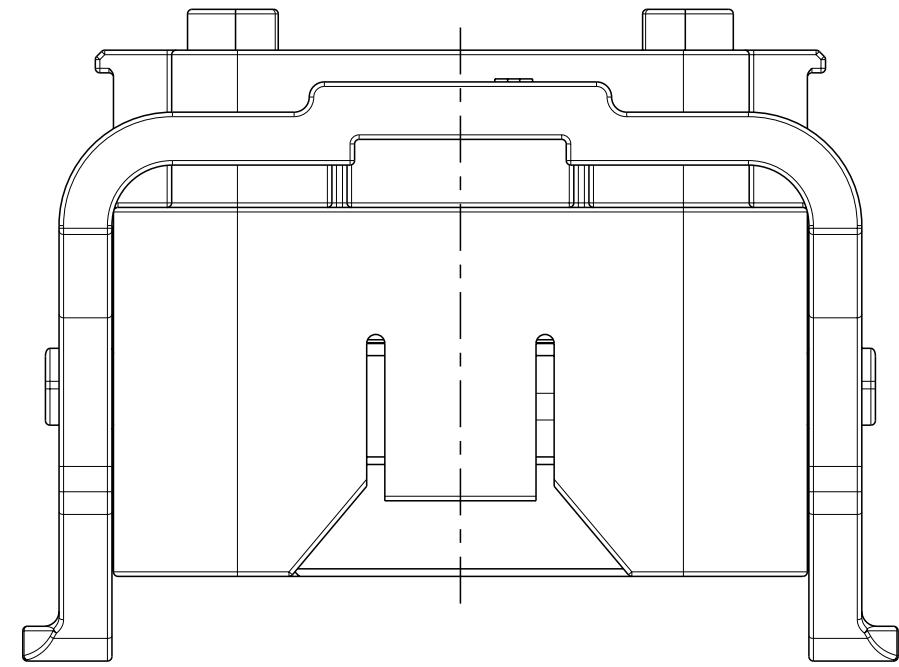
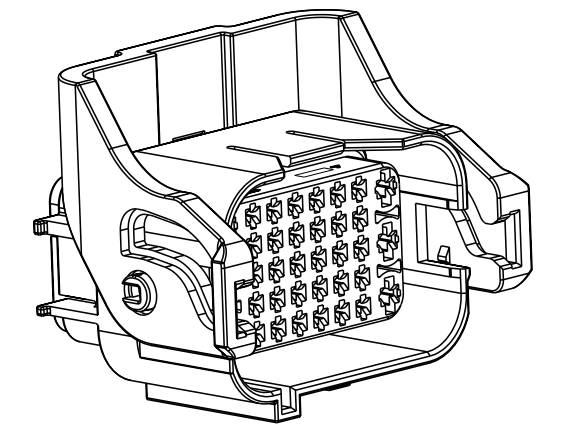
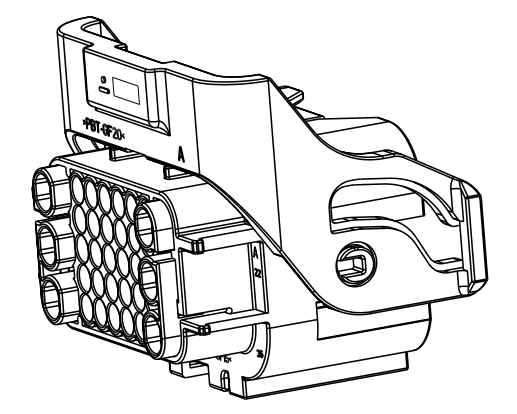


THIS DRAWING IS UNPUBLISHED. RELEASED FOR PUBLICATION 20  
 © COPYRIGHT 20 BY - TE Connectivity ALL RIGHTS RESERVED.

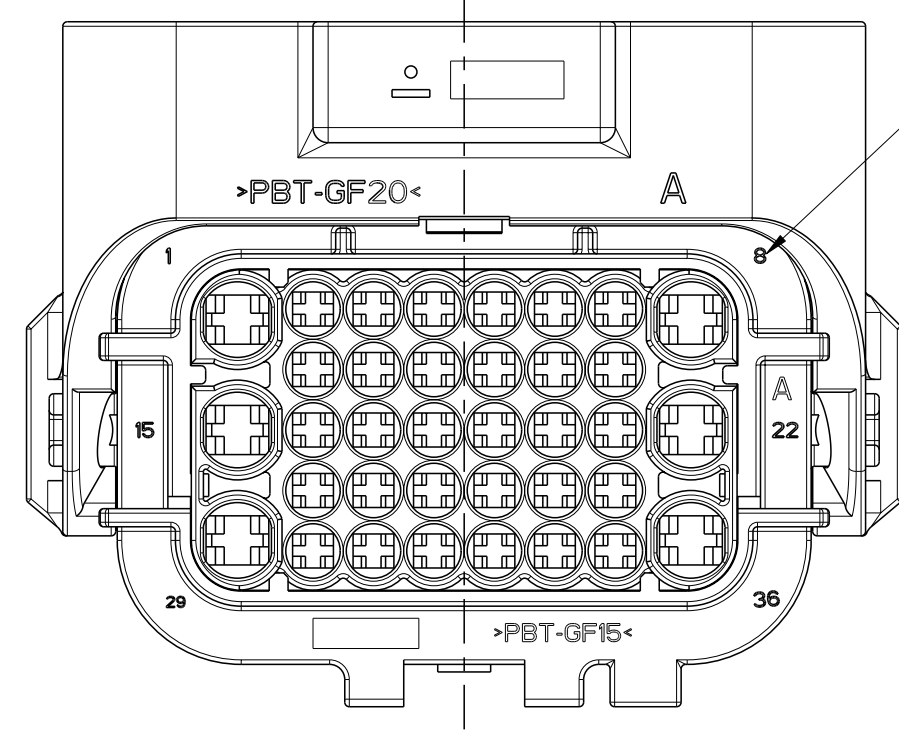
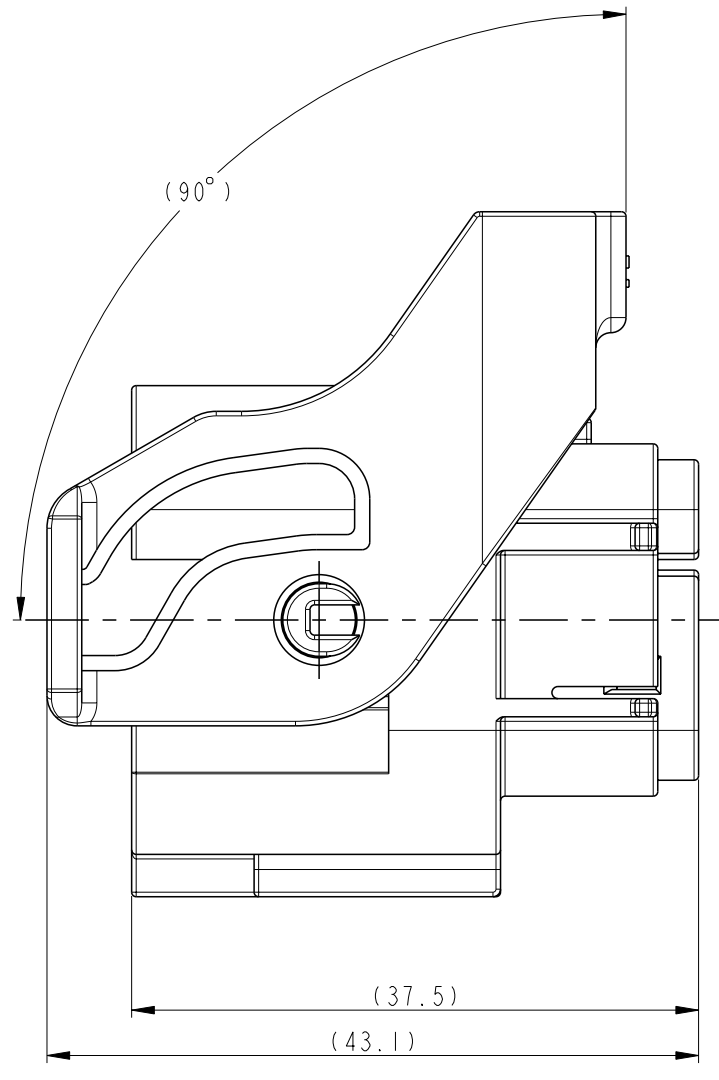
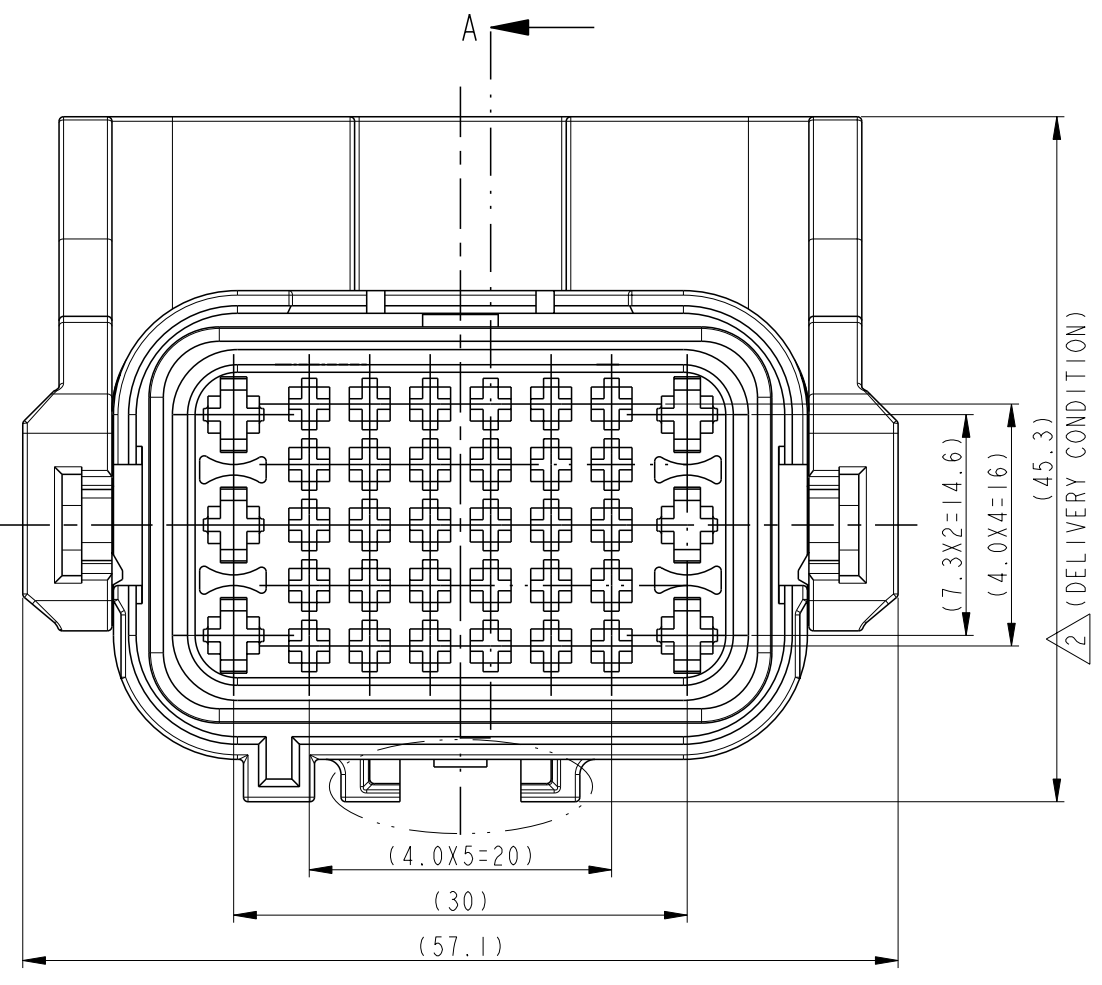
REVISIONS					
P	LTR	DESCRIPTION	DATE	DWN	APVD
E		REVISED (ECR-11-025917)	20.FEB.'12	SJ	HG
EI		REVISED (ECR-16-009129)	23.JUN.'16	SJ	HG
F		REVISED (ECR-17-008875)	02NOV2017	SJ	KT
FI		REVISED (ECR-18-009554)	09.JUL'18	EW	YJ



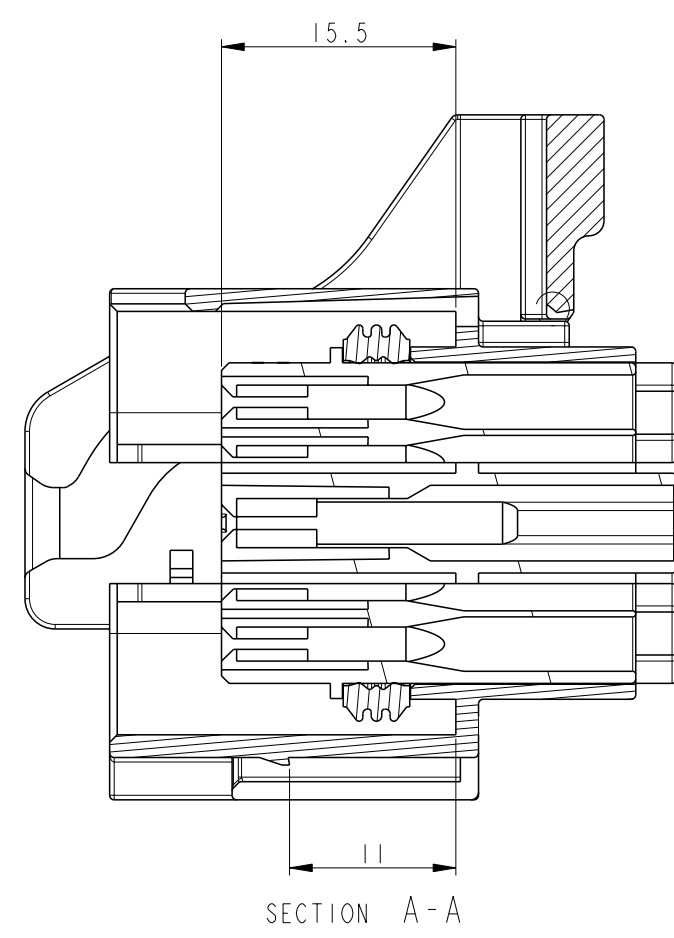
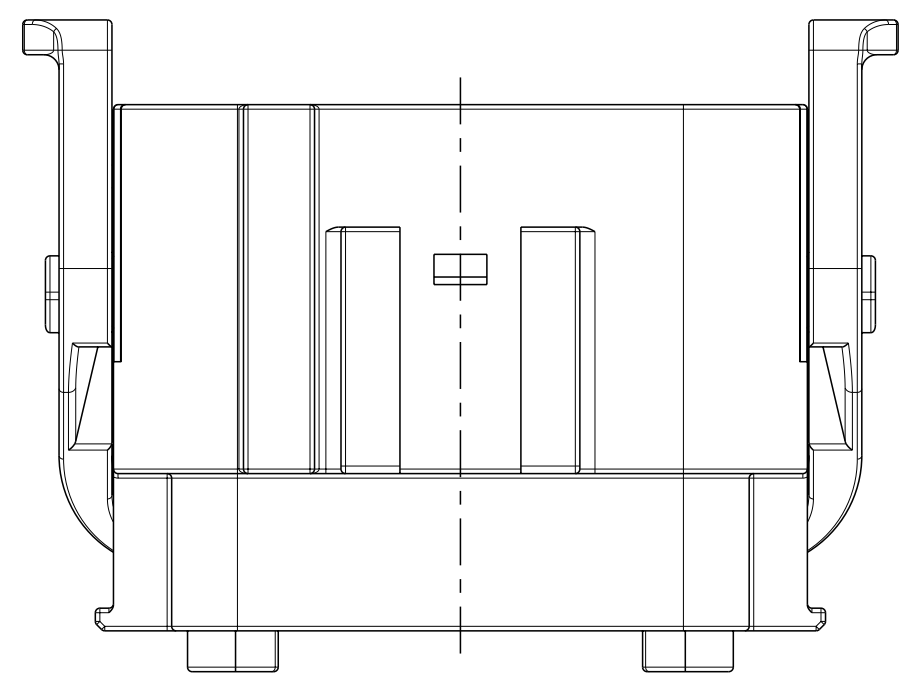
- NOTES:  
 1. GENERAL TOLERANCE IS  $\pm 0.3$ ,  $\pm 3^\circ$   
 2. CONDITION OF DELIVERY  
 3. APPLIED CAP ASS'Y P/N : X-1743062-X  
 4. APPLIED WIRE COVER P/N : X-1743064-X  
 5. APPLIED RECEPTACLE CONTACT P/N : TABLE 1  
 6. APPLIED WIRE SEAL P/N : TABLE 2



3D-VIEW SCALE 1:1



CIRCUIT NO



<TABLE 1>

TYPE	Part No.	WIRE SIZE (mm <sup>2</sup> )	FINISH
MTII	0-962875-1	0.25 ~ 0.5	CuSn4
	0-962875-3		CuSn4(GOLD)
	0-962876-1	0.5 ~ 1.0	CuSn4
	0-962876-3		CuSn4(GOLD)
JPT	0-927770-3	0.5 ~ 0.85	CuSn4
	2-927770-1		CuSn4(GOLD)
	0-927766-3	1.25 ~ 2.0	CuSn4
	2-927766-1		CuSn4(GOLD)

<TABLE 2>

TYPE	Part No.	WIRE INSULATION DIAMETER(mm)	COLOR
MTII	936971-1	1.2 ~ 1.6	RED
	936530-1	1.7 ~ 1.9	GRAY
	963531-1	CAVITY PLUG	WHITE
	828904-1	1.2 ~ 2.1	BLUE
JPT	828905-1	2.2 ~ 3.0	WHITE
	828922-1	CAVITY PLUG	NATURAL

NO.	COLOR/FINISH	MATERIAL	DESCRIPTION	ASS'Y P/N			
				0-1743059-1	0-1743059-2	1-1743059-2	0-1743059-3
4	-	SILICONE	INNER SEAL	I	I	I	I
3	GRAY (RAL 7004)	PBT-GF20	LEVER HSG	I	I	-	I
	BLACK (RAL 9011)	PBT-GF20		-	-	I	-
2	DARK GRAY (RAL 7012)	PBT-GF15	MAIN BODY PLUG HSG	-	-	-	I
	BLACK (RAL 9011)	PBT-GF15		-	I	I	-
	NATURAL	PBT-GF15		I	-	-	-
1	BLACK (RAL 9011)	PBT-GF15	FRONT PLUG HSG	I	I	I	I

THIS DRAWING IS A CONTROLLED DOCUMENT.

DIMENSIONS: mm

TOLERANCES UNLESS OTHERWISE SPECIFIED:

0 PLC	±
1 PLC	±
2 PLC	±
3 PLC	±
4 PLC	±
ANGLES	±
FINISH	±

MATERIAL: SEE TABLE

TE Connectivity

NAME: PLUG ASS'Y FOR MTII JPT SLD 36P

SIZE: A2 CAGE CODE: 00779 DRAWING NO: C-1743059

RESTRICTED TO: -

CUSTOMER DRAWING SCALE: 2:1 SHEET: 1 OF 1 REV: FI