



FASTON | FASTON 250

TE Internal #: 170823-4

Crimp Terminal Housings, Receptacle, Receptacle, 1 Position,
 Straight, UL 94V-2, Natural, Soft PVC, -40 – 221 °F [-40 – 105 °C],
 FASTON 250

[View on TE.com >](#)

Terminals & Splices > Terminal Housings, Insulation Sleeves & Blocks > Crimp Terminal Housings



Terminal Type: **Receptacle**

Housing Type: **Receptacle**

Number of Positions: **1**

Terminal Orientation: **Straight**

UL Flammability Rating: **UL 94V-2**

Features

Product Type Features

Sealable	No
Housing Type	Receptacle

Configuration Features

Number of Positions	1
---------------------	---

Body Features

Primary Product Color	Natural
-----------------------	---------

Contact Features

Terminal Type	Receptacle
Terminal Orientation	Straight
Contact Mating Retention	Without

Mechanical Attachment

Mating Alignment	Without
------------------	---------

Housing Features

--	--



Housing Material	Soft PVC
------------------	----------

Dimensions

Length	24 mm[.94 in]
Accepts Wire Insulation Diameter Range	1.8 mm[.071 in]

Usage Conditions

Operating Temperature Range	-40 – 105 °C[-40 – 221 °F]
-----------------------------	----------------------------

Industry Standards

UL Flammability Rating	UL 94V-2
------------------------	----------

Product Compliance

[For compliance documentation, visit the product page on TE.com>](#)

EU RoHS Directive 2011/65/EU	Compliant
EU ELV Directive 2000/53/EC	Compliant
China RoHS 2 Directive MIIT Order No 32, 2016	No Restricted Materials Above Threshold
EU REACH Regulation (EC) No. 1907/2006	Current ECHA Candidate List: JUNE 2022 (224) Candidate List Declared Against: JAN 2020 (205) SVHC > Threshold: Not Yet Reviewed
Halogen Content	Not Low Halogen - contains Br or Cl > 900 ppm.
Solder Process Capability	Not applicable for solder process capability





Product Compliance Disclaimer

This information is provided based on reasonable inquiry of our suppliers and represents our current actual knowledge based on the information they provided. This information is subject to change. The part numbers that TE has identified as EU RoHS compliant have a maximum concentration of 0.1% by weight in homogenous materials for lead, hexavalent chromium, mercury, PBB, PBDE, DBP, BBP, DEHP, DIBP, and 0.01% for cadmium, or qualify for an exemption to these limits as defined in the Annexes of Directive 2011/65/EU (RoHS2). Finished electrical and electronic equipment products will be CE marked as required by Directive 2011/65/EU. Components may not be CE marked. Additionally, the part numbers that TE has identified as EU ELV compliant have a maximum concentration of 0.1% by weight in homogenous materials for lead, hexavalent chromium, and mercury, and 0.01% for cadmium, or qualify for an exemption to these limits as defined in the Annexes of Directive 2000/53/EC (ELV). Regarding the REACH Regulations, TE's information on SVHC in articles for this part number is still based on the European Chemical Agency (ECHA) 'Guidance on requirements for substances in articles' (Version: 2, April 2011), applying the 0.1% weight on weight concentration threshold at the finished product level. TE is aware of the European Court of Justice ruling of September 10th, 2015 also known as O5A (Once An Article Always An Article) stating that, in case of 'complex object', the threshold for a SVHC must be applied to both the product as a whole and simultaneously to each of the articles forming part of its composition. TE has evaluated this ruling based on the new ECHA "Guidance on requirements for substances in articles" (June 2017, version 4.0) and will be updating its statements accordingly.

Compatible Parts

 <p>TE Part # 170823-1 110 FASTON SLEEVE,TAB, TRANSPARENT,NAT</p>	 <p>TE Part # 1-170823-4 187 FASTON SLEEVE,REC., TRANSPARENT,NAT</p>	 <p>TE Part # 1-170823-5 250 FASTON SLEEVE,REC., TRANSPARENT</p>	 <p>TE Part # 170823-3 250 FASTON SLEEVE,REC., TRANSPARENT</p>
 <p>TE Part # 170823-2 250 FASTON SLEEVE,REC., TRANSPARENT</p>	 <p>TE Part # 170823-6 250 FASTON SLEEVE,REC., TRANSPARENT</p>	 <p>TE Part # 1-170823-9 250 FASTON SLEEVE,REC., TRANSPARENT,NAT</p>	 <p>TE Part # 1-170823-6 250 FASTON SLEEVE,REC., TRANSPARENT</p>
 <p>TE Part # 1-170823-1 110 FASTON SLEEVE,REC., TRANSPARENT,NAT</p>	 <p>TE Part # 1-170823-3 187 FASTON SLEEVE,REC., TRANSPARENT,NAT</p>	 <p>TE Part # 1-170823-8 250 FASTON SLEEVE,REC., TRANSPARENT</p>	 <p>TE Part # 170823-9 110 FASTON SLEEVE,REC., TRANSPARENT,NAT</p>
 <p>TE Part # 2-170823-8 187 FASTON SLEEVE,FLAG,REC., TRANSPARENT</p>	 <p>TE Part # 4-170823-1 205 FASTON SLEEVE,REC.,NATURAL</p>	 <p>TE Part # 2-170823-0 250 FASTON SLEEVE,REC., TRANSPARENT,NAT</p>	

Also in the Series | **FASTON 250**

 <p>Compression Connectors(4)</p>	 <p>Crimp Terminal Housings(143)</p>	 <p>Insertion & Extraction Tools(6)</p>	 <p>Magnet Wire Terminals(1)</p>
--	---	--	---



PCB Terminals(144)

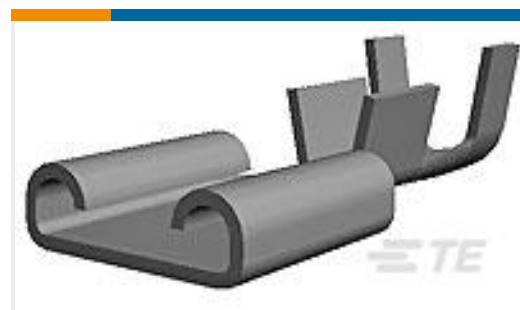


Quick Disconnects(456)



Splices(4)

Customers Also Bought

TE Part #640250-6
06P SL156 HSG W/LCK RAMP NATLTE Part #3-640442-2
Nylon Tin Plated Receptacle: 2.54mm,
No Mating Alignment, MTA 100TE Part #170823-1
110 FASTON SLEEVE,TAB,
TRANSPARENT,NATTE Part #62998-2
250 FSATON REC 10-8 AWG TPBRTE Part #61118-1
MNL PIN 20-14 TPBRTE Part #170183-2
250 FASTON,REC.,22-18 AWG,TPBRTE Part #1443997-1
BASE ASSEMBLY, 60 POSITION, BBTE Part #1443996-4
COVER, 60 POS, W/O FUSE HLDR/NO
EXT TEXT

Documents

Product Drawings

[250 FASTON SLEEVE,REC.,TRANSPARENT](#)

English

CAD Files

[3D PDF](#)

3D

Customer View Model

[ENG_CVM_CVM_170823-4_F.2d_dxf.zip](#)

English

Customer View Model

[ENG_CVM_CVM_170823-4_F.3d_igs.zip](#)

English

Customer View Model

[ENG_CVM_CVM_170823-4_F.3d_stp.zip](#)

English

By downloading the CAD file I accept and agree to the [Terms and Conditions](#) of use.



Product Specifications

Product Specification

English